



NINGBO KLS ELECTRONIC CO.,LTD.

电磁阀规格书

Specification of air valve

客 户： _____

Customer

品 名： 两位三通阀 (25 欧姆)

Part name

型 号： L-KLS23-PF3-A

Model

日 期： _____

Date

页 数： 共 8 页（包括封面）

Number of pages

| 作 成 | 审 核 | 核 准 |
|-----|-----|-----|
| 黄柏皓 | / | 曹生元 |

客户承认

Customer acknowledgment

| | | | |
|--|--|--|--|
| | | | |
|--|--|--|--|

产品规格书

Specifications

1. 适用范围 Application:

本规格书适用 **L-KLS23-PF3-A** 之用.

The specifications apply **L-KLS23-PF3-A** use.

2. 测试环境 Standard test environment:

| | | |
|-----|---------------------------------------|--|
| 2-1 | 测试环境温度 Environment test | 周围温度 20℃ 相对湿度 65%RH 为标准, 如无争议发生可以在下述环境测试: 周围温度 5-30℃ 相对湿度 40-85%RH。 The standard of environment test is the ambient temperature of 20℃ and relative humidity of 65%RH. If no disputes occur, the test can be conducted under the blow circumstance: the ambient temperature of 5~30℃ and relative humidity of 40~85%RH. |
| 2-2 | 测试姿势 (Position) | 水平 (Horizontal) |
| 2-3 | 负荷 (Load) | 空气压 300mmHg (Air pressure 300mmHg) |
| 2-4 | 使用温度范围 Operation temperature range | 5 ~45° C(Humidity to 30% to 85%RH) |
| 2-5 | 保存温度范围 Preservation temperature range | -20 ~60° C(Humidity to 30% to 85%RH) |

3 额定条件 Rated condition:

| | | |
|------|--------------------------------------|--|
| 3-1 | 额定电压 Rated voltage | DC6.0V |
| 3-2 | 使用电压范围 Operating voltage range: | DC4.8V~7.2V |
| 3-3 | 额定电流 Rated current: | 240±10% mA |
| 3-4 | 额定功率 Rated power consumption | 1.44W |
| 3-5 | 定格使用条件 Rated use condition | 连续使用。 |
| 3-6 | 使用压力范围 Range of operational pressure | MAX350mmHg |
| 3-7 | 常用压力 Common pressure | 300mmHg |
| 3-8 | 绝缘等级 Insulation grade | A |
| 3-9 | 使用流体 Used fluid | AIR |
| 3-10 | 温升 Temperature rise | DC6.0V 连续通入后, 其温度上升至 40K 以下。 Connecting with DC 6.0V continuously, the saturated temperature is below 40K |

4 电气特性 Electrical characteristics:

产品规格书

Specifications

| | | | |
|-----|--|--|---|
| 4-1 | 气密 A(铁头端) Leakage(Nozzle) | <3mmHg/min (less than 3mmHg/min.) 使用 DC4.8V 接于电磁阀端子, 在 500CC 容器中压力 300mmHg 时,稳定 30 秒后测试一分钟的漏气量小于 3mmHg/分. Pressurizing from 0 till 300mmHg in a 500CC tank.then holding for30seconds.After than,measuring the dropped pressure value,which shall be less than3 mmHg/min | < 3mmHg/min less than 3mmHg/min |
| | 气密 B(塑胶端) Leakage (Plastic Nozzle) | <3mmHg/min (less than 3mmHg/min.) 接于电磁阀塑胶端, 在 500CC 容器中压力 300 mmHg 时,稳定 30 秒后测试一分钟的漏气量小于 3mmHg/分. Pressurizing from 0 till 300mmHg in a 500CC tank. then holding for 30 seconds.After than, measuring the dropped pressure value,which shall be less than 3 mmHg/min | < 3mmHg/min less than 3mmHg/min |
| 4-2 | 排气速度(塑胶端) Exhaust speed(Plastic Nozzle) | DC4.8V 接于电磁阀端子, 在 500CC 容器中压力 300mmHg, 当阀座口开放 4 秒内, 其容器内的压力降至 15mmHg 以下. With 500CC volume, it takes less than 4 seconds to exhaust the pressure with DC4.8V from300mmHg to 15mmHg | < 4s less than 4 seconds |
| 4-3 | 直流阻抗 DC Resistance | 25±10% Ω (Ambient temperature of 25° C) | 25±10% Ω |
| 4-4 | 绝缘阻抗 Insulation resistance | 在常温,常湿环境下测试,在线圈与金属间通过 DC500V,绝缘阻抗 50M OHM 以上 The insulation resistor is 50MΩ Min at DC500V between Coil and non-charge Metal. | |
| 4-5 | 绝缘耐压 Dielectric Withstand | AC500V (50/60Hz)1 分钟通入, 其线圈和非充电金属间无异常之现象, 但是测试结果的判定没有发生任何可疑的场合, 其测试电压值可用 AC600V 之电压在 1 秒钟通入测试. It has to test between coil and outer mental parts at applying AC 500V for 1minute,and if no damage and abnormality occurs,then test at AC 600V for 1second. | |

产品规格书

Specifications

5 环境试验 Environmental Tests:

| | | |
|-----|--|--|
| 5-1 | 低温放置试验 Low-temperature characteristic | <p>放置在-20℃经 72 小时后,再取出置于常温(20±5℃)中 2 小时依下列专案测试无异状 4-1,4-2, 4-3, 4-4, 4-5.</p> <p>Putting the pump in the temperature at negative 20 °C for 72 hours;then taking it out and putting it in a room temperature at 20 ± 5 °C for 2 hours,Under this circumstance,running through test 4-1,4-2, 4-3, 4-4, 4-5 and finding out that the pump still performs well.</p> |
| 5-2 | 高温放置试验 High-temperature characteristic | <p>在 60℃经 72 小时放置后,在放常温(20±5℃)中 2 小时依下列专案测试无异状 4-1,4-2, 4-3, 4-4, 4-5.</p> <p>Putting the pump in the temperature at 60°C for 72 hours; then taking it out and putting it in a room temperature at 20 ± 5 °C for 2 hours,Under this circumstance,running through test 4-1,4-2, 4-3, 4-4, 4-5. and finding out that the pump still performs well.</p> |
| 5-3 | 高温高湿放置试验 High-temperature & High humidity | <p>在温度 60℃,湿度 95%环境中经 72 小时取出置于常温(20±5℃)中 2 小时依下列专案测试无异状 4-1,4-2, 4-3, 4-4, 4-5.</p> <p>Putting the pump in the temperature at 60°C and the humidity at 95% for 108 hours;then taking it out and putting it in a room temperature at 20 ± 5 °C for 2 hours.Under this circumstance,running through test 4-1,4-2, 4-3, 4-4, 4-5. and finding out that the pump still performs well.</p> |
| 5-4 | 温湿度循环放置测试 Temperature & humidity cycle test | <p>在经过 12 次的温湿度循环测试后:-20℃* 2Hr → +25℃* 1Hr →+60℃ 85%RH* 2Hr →+25℃*1Hr,需维持相同的性能.依下列专案测试无异状 4-1,4-2, 4-3, 4-4, 4-5.After doing the temperature and humidity cycle test,-20 °C * 2Hr → +25 °C * 1Hr → +60 °C 85%RH* 2Hr → +25 °C * 1Hr,for twelve times,the pump shall still perform the same functions proved by running through test 4-1,4-2, 4-3, 4-4, 4-5.</p> |

产品规格书

Specifications

| | | |
|--------------------------|--|---|
| 5-5 寿命试验 Life test | | <p>在无负载（流体无通入之状况），电压 DC 6.0V 输入，一个循环为通电 1 秒，断电 2 秒，连续动作 10 万个循环以上依下列项目测试无异常:4-1,4-2,4-3,4-4,4-5.</p> <p>Connecting with DC 6.0V,turning the power on for 1 second and off for 2 seconds as one cycle;doing this action for more than 100,000 times.After the action,examining the product by test 4-1,4-2,4-3,4-4,4-5..and finding out performing well.</p> |
|--------------------------|--|---|

6 特殊环境测试 Thermal test performance:

在经过发下 6-1 和 6-2 项目之特殊环境测试后，要产品须可满足项目 4-1 至 4-5 之基本性能。

After the pump has been tested through test 6-1 and 6-2, it must be suitable the basic performance required by item 4-1 to 4-5.

| | | |
|--|--|---|
| 6-1 低温环境测试 Low-temperature environment test | | <p>在温度 0℃ 经五小时后,在此温度下依下列专案测试无异状, 4-1,4-2, 4-3, 4-4, 4-5.</p> <p>Under a temperature of 0℃ for 5 hours, then examining the pump by test 4-1,4-2, 4-3, 4-4, 4-5. and finding out it still perform well.</p> |
| 6-2 高温环境测试 High-temperature environment test | | <p>在温度 50℃ 经五小时后,在此温度下依下列专案测试无异状, 4-1,4-2, 4-3, 4-4, 4-5.</p> <p>Under a temperature of 50℃ for 5 hours, then examining the pump by test 4-1,4-2, 4-3, 4-4, 4-5. and finding out it still perform well.</p> |

7 其它 Others:

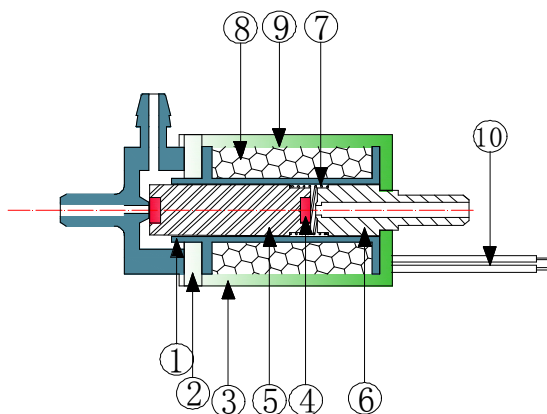
| | | |
|---------------------------------|--|--|
| 7-1 引线强度 The lead tension | | <p>以 0.5 公斤法码与引线平行负载无异常.</p> <p>Hanging a 0.5 Kg static load on the terminal of the pump will not cause a damage on the pump.</p> |
| 7-2 落下实验 Fall test | | <p>使用标准的包装方式,在水泥地上将其从 50cm 的高度分别从正面,侧面,及边角落下,其性能及结构需无异常.</p> <p>Basic performance and the struture shall not be defected after following test;With a standard packaging conditions,then dropping it at the front,side,and edges part from the height of 50 cm to the concrete floor.</p> |
| 7-3 外观 Appearance | | <p>产品无不适当的外观和刮伤, 脏污…等.</p> <p>The appearances of the pump shall not contain cracks and impurities.</p> |

产品规格书

Specifications

| | | |
|-----|-------------------------------|--|
| 7-4 | 异常试验 Unusual test | 以 DC6.0V 连续 8 小时通电无燃烧,发烟现象。 There is no burning and smoking occurrence while the power is on with DC 6.0V for 8 hours continuously. |
| 7-5 | 气管 Pipe:直径 3mm 的配管相接不可有漏气的现象。 | The diameter of pipe is 3mm,and no leakager of the connection parts are permitted. |

8 结构图 Structural drawing:



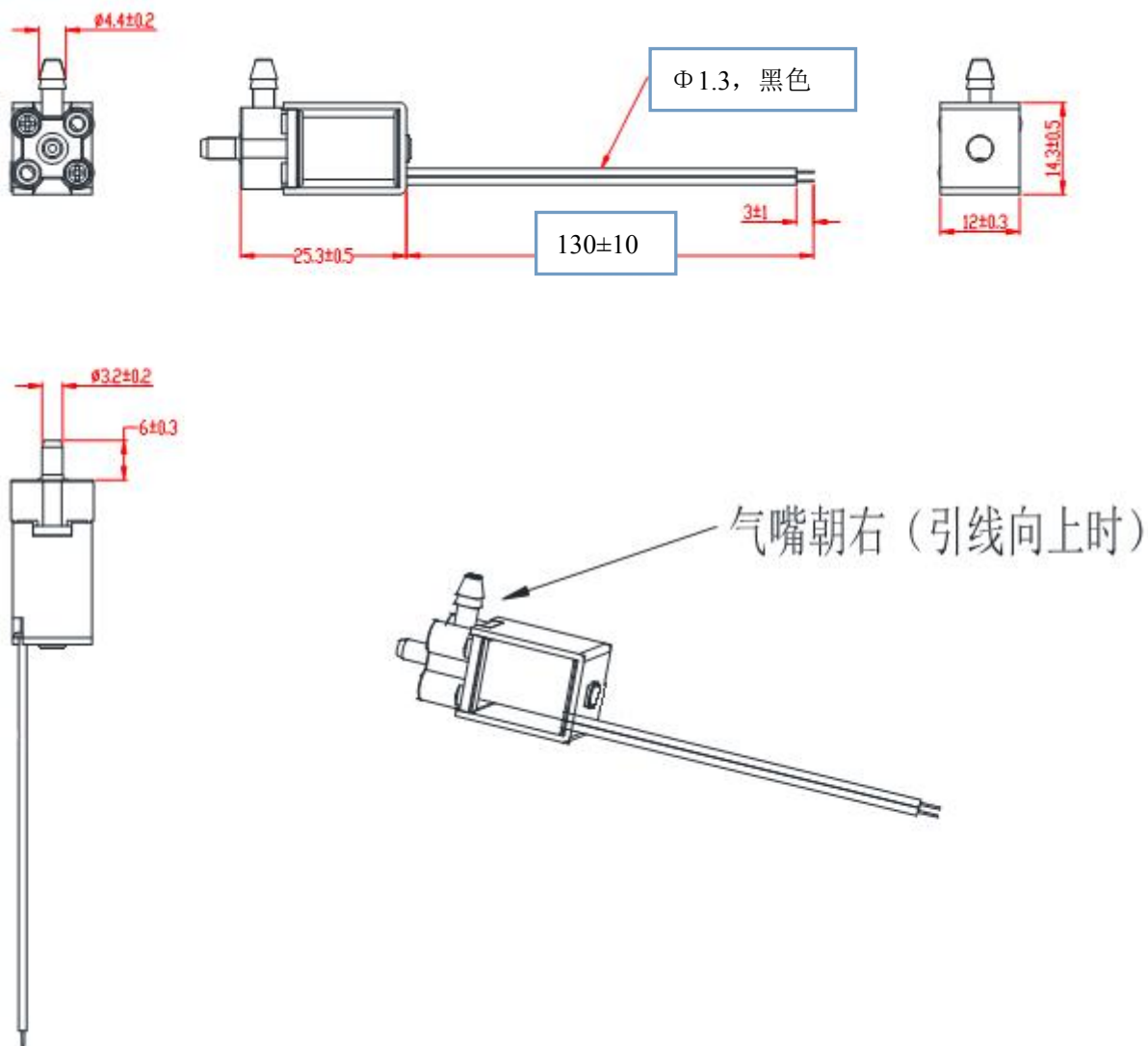
9 材料表

Material list:

| 号码NO. | 名称NAME. | 材料MATERIAL. |
|-------|---------|--------------|
| 1 | 骨架 | PLASTIC |
| 2 | 铁片 | STEEL |
| 3 | 铁框 | STEEL |
| 4 | 止档片 | RUBBER |
| 5 | 内芯 | STEEL |
| 6 | 风嘴 | STEEL |
| 7 | 弹簧 | SPRING STEEL |
| 8 | 漆包线 | 3uew |
| 9 | 胶带 | TAPE |
| 10 | 引线 | PVC |

产品规格书 Specifications

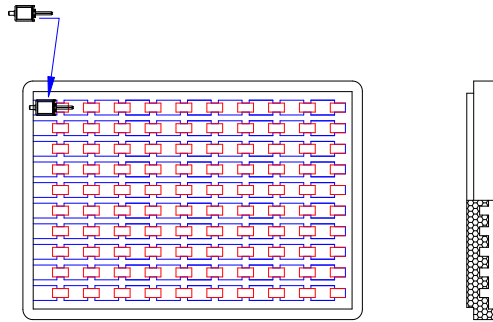
9. 成品外形图 Finished Outline



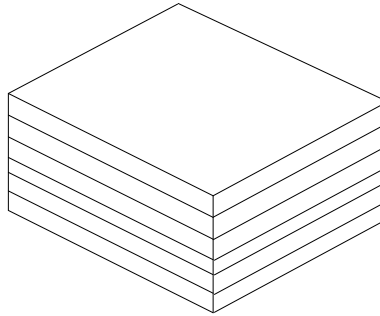
产品规格书

Specifications

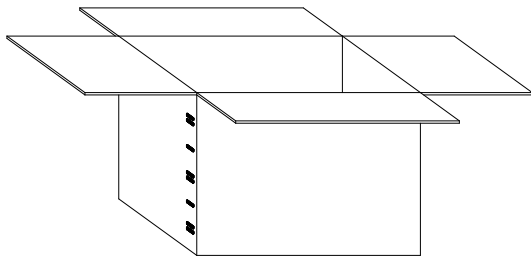
10. 包装图 Packaging



每盒包装50pcs
50PCS/box



每箱共装10层保利龙
共500pcs电磁阀
10*50=500PCS/Carton



TYPE:MINI VALVE
P/O NO:
QTY: PCS
GRS.WT: KG
NET.WT: KG

