

NINGBO KLS ELECTRONIC CO.,LTD

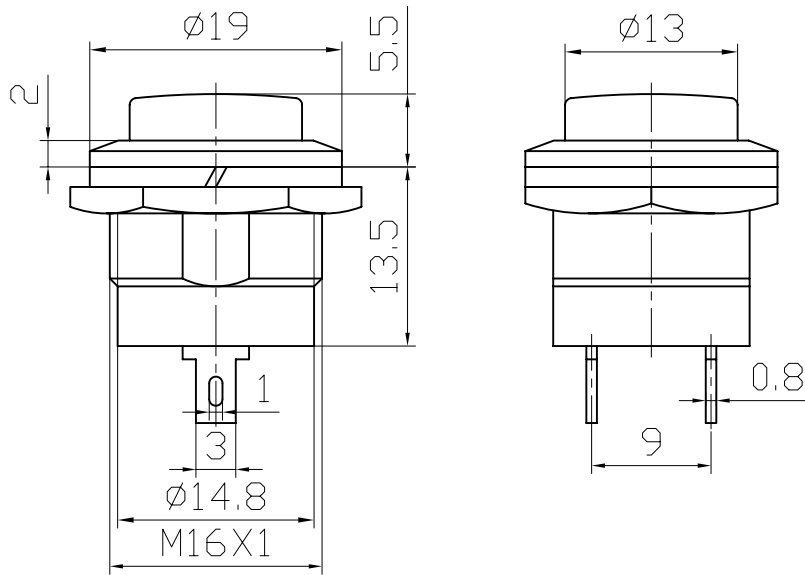
Push-Button Switch

L-KLS7-PBS-025-B

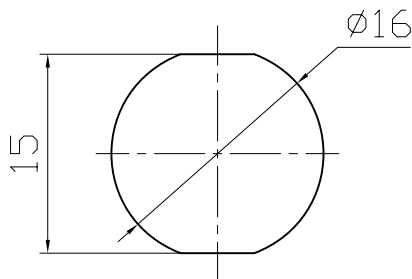
技术特性 (Specification)

- 1.规格 (Rating):6A 125V AC; 3A 250V AC
- 2.接触电阻(Contact R):50mΩ max
- 3.绝缘电阻(Insulation R):500V DC 100MΩ min
- 4.耐电压 (Dielectric Strength):1 Minute 1000V AC
- 5.操作温度(Operating Temperature):-25℃~+85℃
- 6.电气寿命(Electrical Life):50, 000 Cycles

外型图 (Outline Drawing)



安装尺寸 (Mounting)



电路图 (Circuitry)

