



SAN CORE Zhongshan Sancore Electronic co.,ltd



XUYI OUGE ELECTRONIC CO.,LTD

Add: No.9 Ruiping Rd, Luosha Village, Yongning Industrial, Xiaolan Town, Zhongshan City, Guangdong, China.



Tel: +86-760-22286356 Fax: +86-760-22286951
Email:sales03@ougedianzi.com Website:www.ougedianzi.com

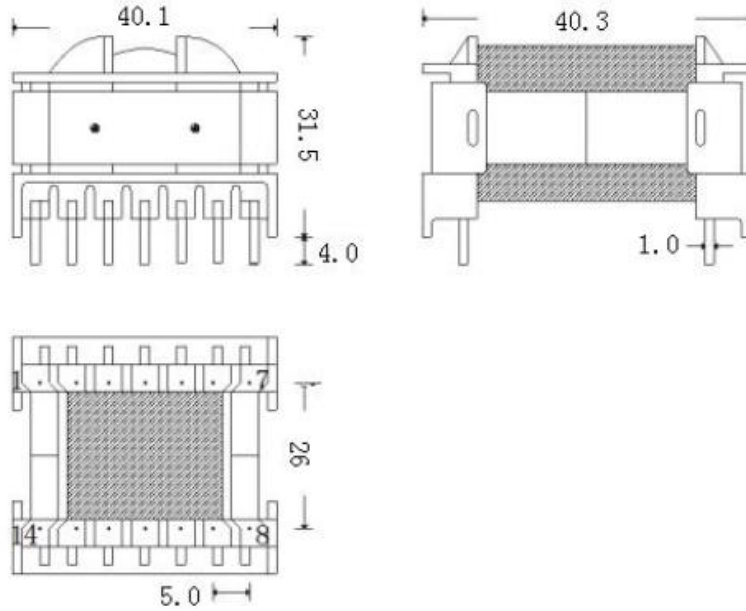
SPECIFICATION FOR APPROVAL

CUSTOMER NAME	Ozdisan		
Item No:	ETD34 transformer		
CUSTOMER NO:		CUSTOMER REVISION:	1.0
OUGE No:	SX-2138ETD34	OU GE REVISION:	A1

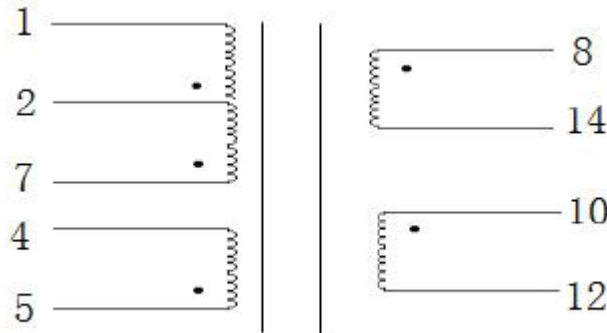
Note:Please send confirmation to us with signature and seal

sign and seal by seller			Sign and seal by buyer		
Preparer	Reviewer	Approver	Reviewer	Approver	confirmer
ZhiHua Zhang					
Date:	26 st Feb 2021		Date		

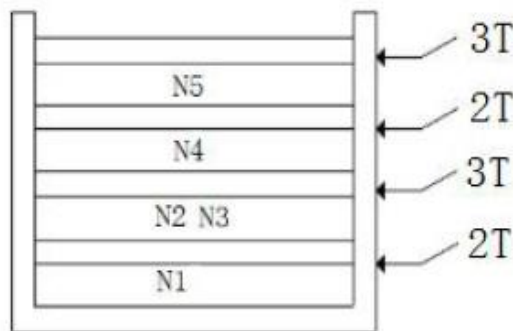
1. Dimensions (unit:mm)




2. Circuit diagram:



3. cross-section drawn:



 XuYi OuGe Electronic oc.,ltd TEL: 0760-22131648 Fax: 0760-22286311	Ouge Item No	SX-2138ETD34		
	Name	ETD34 Transformer		
	Revision	A1	Page No	1/3

4. winding process:

No	Pin(start-stop)	Specification of copper line	Turns	Tube	
				ST	FIN
N1	2-1	2UEW ϕ 0.60mm \times 1P	30	/	/
N2	14-8	2UEW ϕ 0.70mm \times 1P	14	/	/
N3	12-10	2UEW ϕ 0.70mm \times 1P	14	/	/
N4	7-2	2UEW ϕ 0.60mm \times 1P	30	/	/
N5	5-4	2UEW ϕ 0.25mm \times 1P	9	/	/

5. Description:

1. PY/ETD3401 horizontal pin7+7, remove 3.6.9.11.13 pin
2. QF/ETD34 clip
3. OG/ETD34/34/PC40 Ferrite Core with 2 side air gap.
4. Transformers vacuum impregnation and bake.
5. Coils are packaged with 22mm yellow tape, Cores are packaged with clip
6. print label<SX-2138ETD34> on top of transformer

6. Electrical Parameter

○, 1 Inductance

No	Pins	Specification	Test condition	Test equipment
1	1-7	350uH \pm 7%	10.0KHZ 0.3V	TH2819XB

○, 2 Leakage Inductance

No	Pins	Specification	Test condition	Test equipment
1	4-6	/	/	TH2819XB

○, 3 Isolation Voltage

No	Part	Standard	Time	Test equipment
1	PRI TO SEC	/	5s	WB2671
2	PRI TO CORE	/	5s	
3	SEC TO CORE	/	5s	

XuYi Electronic oc., ltd TEL: 0760-22131648 Fax: 0760-22286311 Email:sales03@ougedianzi.com	Item No	SX-2138ETD34		
	Name	ETD34 Transformer		
	Revision	A12	Page No	2/3

7. BOM List

No	Name	Specification	Remark
1	Ferrite core	ETD3434/PC40	SGS
2	Bobbin coil	ETD3401 horizontal 7+7pin	SGS
3	Magnet wire	2UEW 155°C	E85640
4	Insulating oil	T1148-1	E228349
5	Diluent	T1148-1X	
6	MYLAR tape	CT-280 yellow/yellow 0.055mm	E165111
7	High temperature tin	100H	SGS
8	Clip	ETD34	SGS

XuYi OuGe Electronic oc., ltd TEL: 0760-22131648 FAX: 0760-22286311 Email: sales03@ougedianzi.com	Item No	SX-2138ETD34		
	Name:	ETD34 Transformer		
	Revision	A1	Page No	3/3