

Getting Started with C Series EVK

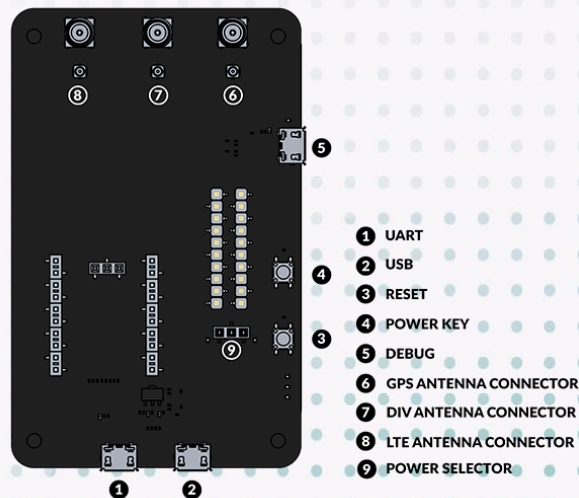
1. Power the EVK

There are two methods to power the C-series EVK board.

1. USB Mode: User can power the board using USB (microUSB) connector.
2. UART Mode: User can power the board using UART (microUSB) connector.

A slot for power selection is provided where the user can select between USB or UART to power the board by connecting jumper wires accordingly.

?



Note:

1. Ensure the power supply is stable and can deliver enough current.

2. Interfacing with EVK

- Connect USB cable to UART(microUSB) port for serial communication.
- Open Teraterm/Minicom in user system and set the baud rate as 57600 for CIRS and CIRM and as 115200 for C31QM, C31SS and C10SS.
- Press RESET key for 500ms to TURN ON the modem. (Applicable for C31QM). All other modem will turn on automatically
- Type “AT” and press Enter to get an “OK” response.
- You may also interface the user system with the modem through USB (microUSB) port or TXD and RXD pins.

3. Connecting antennas

C- series EVK consists of three UFL connection slots for connecting following antennas connectors

1. GPS antenna connector
2. LTE antenna connector
3. Diversity antenna connector

In C31QM, connect the GPS and LTE antenna modem slots to the respective EVK board antenna slots through U.FL to U.FL Mini Coax Cable.