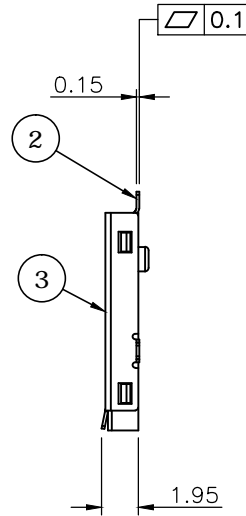
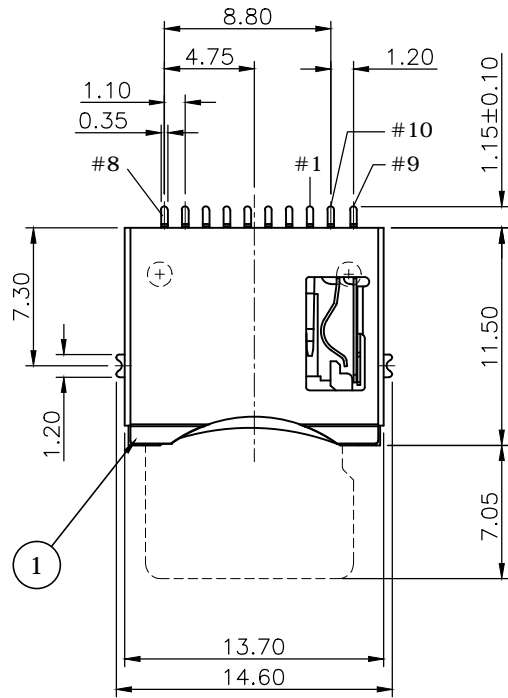


REV.	DESCRIPTION	DRAWN	DATE
1	INITIAL RELEASE	FROS	2020/07/28



PIN#	NAME
1	DAT2
2	CD/DAT3
3	CMD
4	VDD
5	CLK
6	VSS
7	DAT0
8	DAT1
9	CD
10	SW
Shell	Ground

**SPECIFICATION:**

**1. ELECTRICAL**

- 1.1 Current Rating: 0.5A
- 1.2 Voltage Rating: 10V
- 1.3 Contact Resistance: 40mΩ
- 1.4 Insulation Resistance: 100MΩ
- 1.5 Dielectric Withstanding Voltage: 500VAC

**2. MECHANICAL**

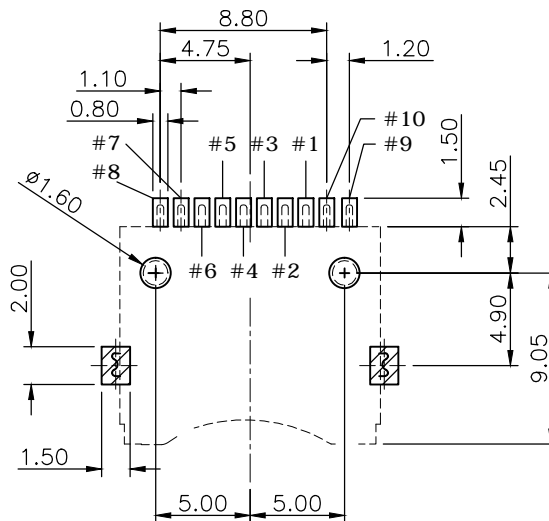
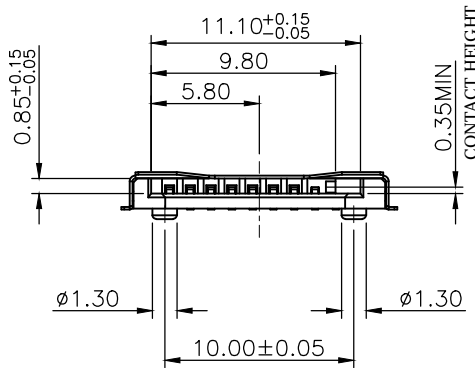
- 2.1 Durability: 10000 Cycle

**3. ENVIRONMENTAL**

- 3.1 Operating temperature range: -40°C~+85°C
- 3.2 Storage temperature range: -40°C~+85°C

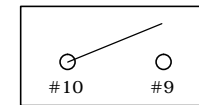
**4. SOLDER ABILITY**

- 4.1 Recommended IR Reflow(Wave Soldering) Temperature: 260°C

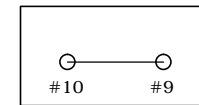


Recommended layout (top view)  
General tolerance: ±0.05mm

Circuit diagram of card detect



without card



card inserted

3	SHELL	Copper alloy, Nickel plating						
2	CONTACT	Copper alloy, G/F on contact area, tin plating on on solder tails, under plating nickel						
1	HOUSING	LCP, UL94V-0, natural						
NO.	PART NAME	DESCRIPTION						
UNLESS OTHERWISE SPECIFIED TOLERANCE								
UNIT:	DECIMAL	LINEAR	ANGLES					
	X.	±0.50	±5°					
	X.X	±0.25	±3°					
	X.XX	±0.12	±1°					
DRAWN		Fros	2020/07/28	DRAWN NAME: Micro SD socket, Push-Pull Type w/card switch, w/Peg, Reel				
CHECKED		Tim	2020/07/28					
APPROVED		Ken	2020/07/28	PRODUCT NO. 1121-TA01				
SCALE		1/1	SHEET	1/1	SIZE	A4	FILE NAME	1121-TA01_B_1



www.attend.com.tw