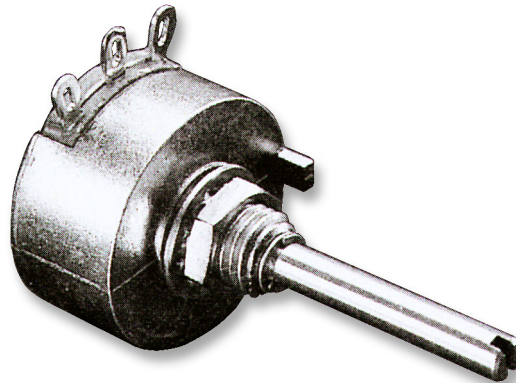


## Series T - 1/2 Watt Carbon Potentiometer



For more information about this product, visit our website at:  
[www.potentiometers.com](http://www.potentiometers.com)



*Series T potentiometers provide a low profile with lateral lug terminals.  
Some configurations are available as Mil Spec Type RV5.*

### Features

- Hot molded carbon element
- One piece housing and bushing
- Stainless steel shaft

### Options:

- Special tapers
- Custom shafts
- Customer specified marking
- Conductive Plastic element available

### Electrical Specifications

#### Resistance Range

- linear taper: 100 ohms to 5 megohms
- log taper: 150 ohm to 1 meg

Resistance Tolerance:  $\pm 10\%$  or  $\pm 20\%$

Resistance Taper: linear, logarithmic, reverse logarithmic

(other tapers by special order)

Power Rating: .5 watt @ 70 °C derated to 0 watts @ 120 °C

Insulation Resistance: dry-10K Meg: wet-100K Meg

Dielectric Strength: 900 V RMS at sea level

Operating Voltage: 350 V subject to power rating

### Mechanical Specifications

Mechanical Rotation: 300°

Operating Torque: 1 oz/in to 6 oz/in

Rotational Life: 25,000 cycles

### Environmental Specifications

Operating Temperature: -65 °C to +125 °C

Resistance to Soldering Heat: 350 °C to 5 seconds

Humidity Range: per Mil-R-94

Vibration Range: per Mil-R-94

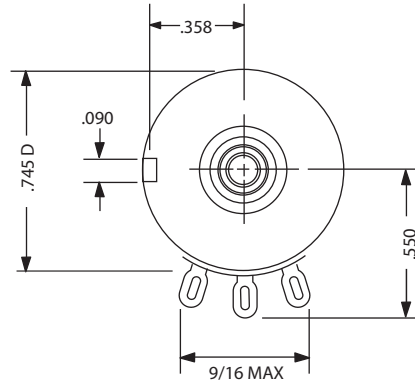
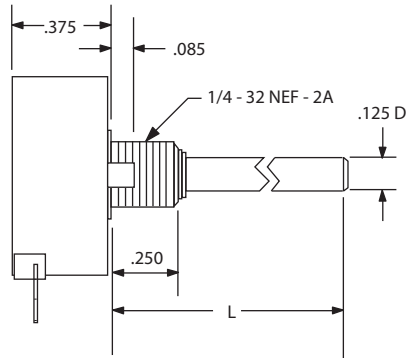
Shock Resistance: per Mil-R-94

Load Life: 1000 hr at 70 °C

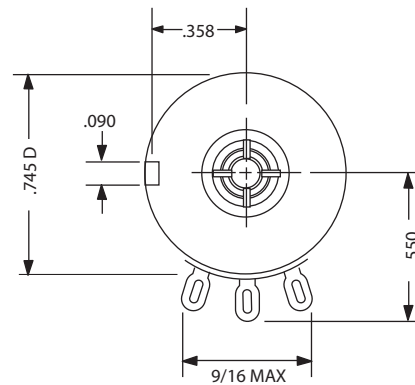
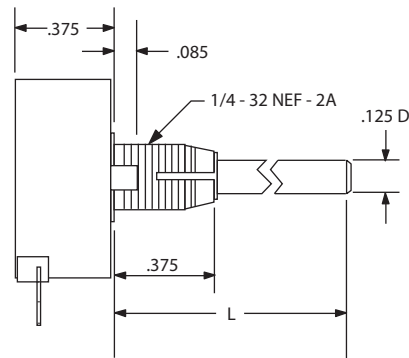
# Series T - 1/2 Watt Carbon Potentiometer



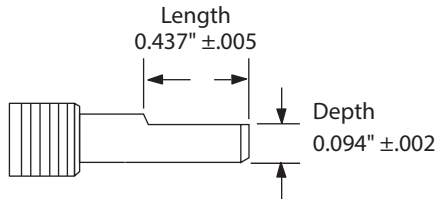
## Standard Configuration



## Locking Bushing



## Flatted Shaft

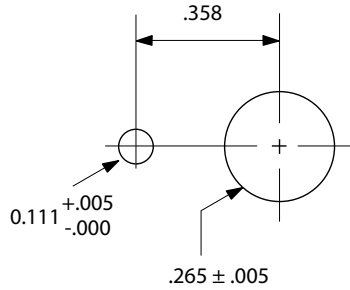


Note:  
Flatted Shaft is not available if  
Locking Option is selected.

# Series T - 1/2 Watt Carbon Potentiometer



## Panel Mounting Holes



Mounting dimensions for standard potentiometer

### Ordering Information - Commercial Part Numbers

#### Carbon element standard.

Conductive Plastic available in some configurations. Contact sales rep for information.

Series	Bushing	Bushing Length:	Taper	Resistance Value:	Tolerance:	Shaft Style:	Shaft Length:
T = Series T	blank = Std. L = Locking	blank = 1/4"	U = Linear A = Log B = Rev. Log	<b>Total Resistance Value in Ohms:</b> First 2 numbers are significant digits, 3rd number is the number of zeros.	1 = 10% of Nominal 2 = 20% of Nominal	R = Round S = Slotted F = Flatted	16 = 1/2" 20 = 5/8" 24 = 3/4" 28 = 7/8"

**Example Part Number: TU5021S28**

Note: not all part number combinations are valid.

### Ordering Information - Military Part Numbers

#### Carbon or Conductive Plastic element available

Style	Bushing	Switch	Temperature and Moisture Characteristics:	Shaft Style:	Shaft Length:	Resistance Value:	Taper and Tolerance:
RV5 = MIL style RV5	N = Standard L = Locking	A = Without Switch	Y = as per MIL-R-94	S = Slotted	L = 3/8" B = 1/2" A = 5/8" D = 7/8"	<b>Total Resistance Value in Ohms:</b> First 2 numbers are significant digits, 3rd number is the number of zeros.	A = Linear ±10% B = Linear ±20% C = Log ±10% D = Log ±20% E = Rev. Log ±10% F = Rev. Log ±20%

**Example Part Number: RV5NAYS103A**

Note: not all part number combinations are valid.

More options and combinations are available on commercial versions

For more information about this product, visit our website at: [www.potentiometers.com](http://www.potentiometers.com)