

1
RoHS compliant

2

3

4

5

6

7

8

A

A

B

B

C

C

D

D

E

E

F

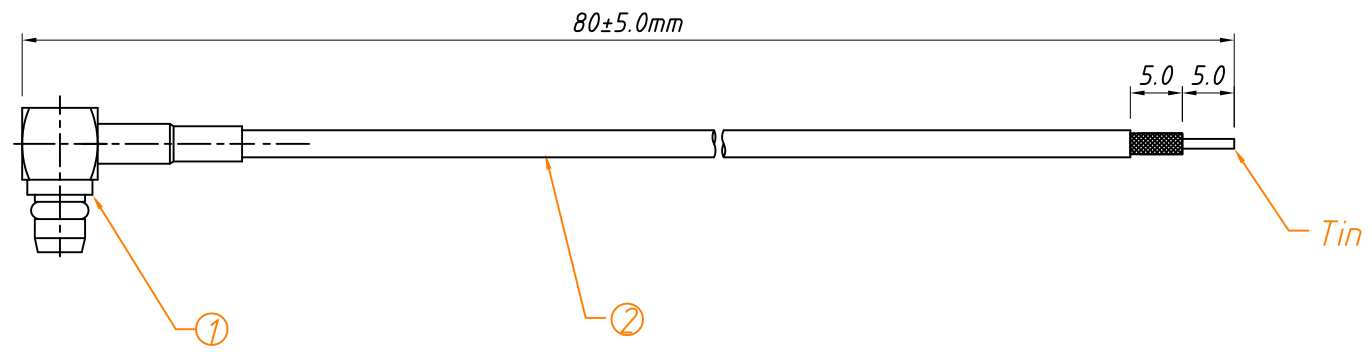
F

G

G

H

H



- Note:
- 1: V.S.W.R: 1.5(0~3G), Max.
 - 2: Wire surface shall have no dirt, broken.
 - 3: Connector surface with coating, oxidation phenomenon.
 - 4: Connector pins and insulator are in the same plane

2	RF Cable	RG174 RF Cable,Black,L=80mm	PCS	1
1	Connetor	MMCX Male Connetor R/A,for RG174 Cable	PCS	1
No.	Name	Description	UNITS	Q'ty

		Description:	
		MMCX R/A Male to Tin plated Cable	
PROJECTION		UNITS	mm
		KLS P/N:	CAB05-MMCX/D-L080
SHEET SIZE		A4	
Draw:	Daniel	2020-11-11	NingBo KLS ELECTRONIC CO.,L TD.
Check:	Daniel	2020-11-11	

1 2 3 4 5 6 7 8