



PRODUCT DATA APPROVAL SHEET

Core- R1025

Cosmo Ferrites Ltd. - INDIA

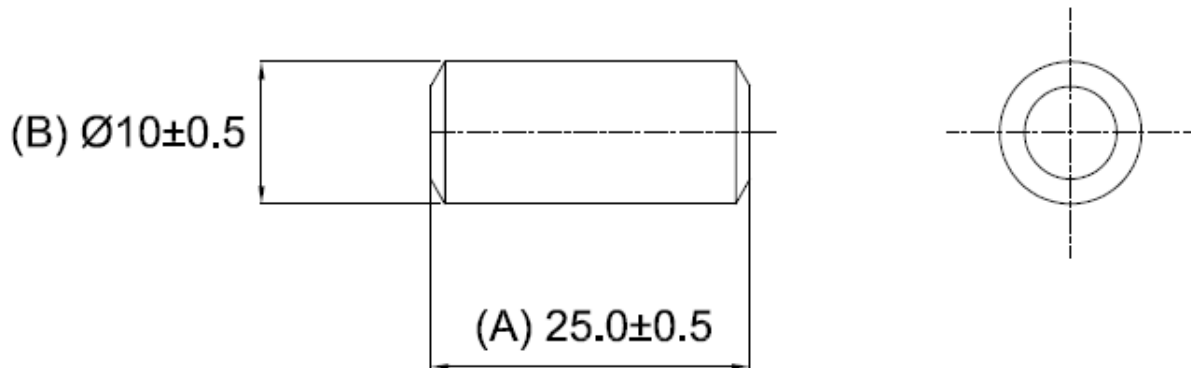
Appearance & Shape: To be free from any defect such as flow, burrs, unevenness etc, As per IEC standards.

Effective Parameters irrespective of material grade (per piece)

Approximate weight: 10.5g/pc

R1025

Material Grade	Initial Permeability (μ_{iac})	Ordering code
CF139	2100 \pm 20%	CF139 R1025



For Cosmo Ferrites Limited-INDIA

Checked By: J.C.
Approved By: B.S.
Authorized By: KSR
Date: 17-09-2022 (ISSUE NO.1)

Customer's Approval

Authorized Signatory:
Name:
Date:

NOTE: Please send this Data Sheet back to Cosmo Ferrites Ltd. after approval. If not received back within 15 days, it will be presumed that all the specifications given in the consent/data sheet are acceptable to the concerned.