

PRODUCT DATA APPROVAL SHEET

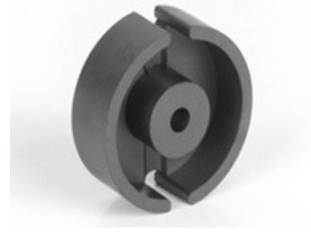
Core- P3622

Cosmo Ferrites Ltd. - INDIA

Appearance & Shape: To be free from any defect such as flow, burrs, unevenness etc, As per IEC standards.
Effective Parameters irrespective of material grade (per set)

- Effective Length (L_e): 52.0mm
- Effective Area (A_e): 202.0mm²
- Effective Area (A_{Min}): 202.0mm²
- Effective Volume (V_e): 10600mm³

Approximate weight (without Gap): 55g/pc



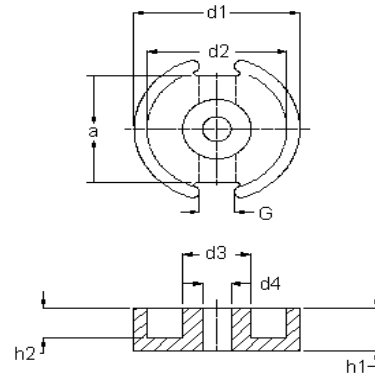
P3622 (Un-gapped)

Test Conditions: 1KHz/100mV/CFR COIL,N=100/25°C

Material Grade	Initial Permeability (μ_{iac})	AL Value (nH)/Set	Ordering code
CF139	2100 \pm 20%	7700 +30%/-20%	CF139 P3622

Dimensions:

Dimension	Nominal (in mm)	Maximum (in mm)	Minimum (in mm)
Groove(G)	5.2	5.6	4.8
a	26.2	26.8	25.6
d1	35.5	36.0	35.0
d2	30.5	30.9	30.1
d3	15.9	16.2	15.6
d4	5.5	5.62	5.38
h1	10.85	11.05	10.65
h2	7.6	7.75	7.45



For Cosmo Ferrites Limited-INDIA

Checked By: J.C.
 Approved By: B.S.
 Authorized By: KSR
 Date: 09-10-2022 (ISSUE NO.1)

Customer's Approval

Authorized Signatory:
 Name:
 Date:

NOTE: Please send this Data Sheet back to Cosmo Ferrites Ltd. after approval. If not received back within 15 days, it will be presumed that all the specifications given in the consent/data sheet are acceptable to the concerned.