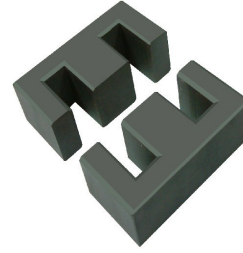


Appearance & Shape: To be free from any defect such as flow, burrs, unevenness etc, As per IEC standards.

Effective Parameters irrespective of material grade (per set)

- Effective Length (L_e): 31.0mm
- Effective Area (A_e): 61.6mm²
- Effective Area (A_{Min}): 60.8mm²
- Effective Volume (V_e): 1910mm³

Approximate weight (without Gap): 8.8g/Set



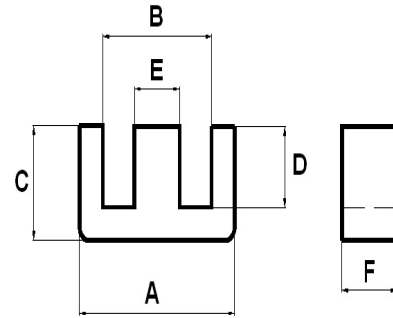
EE1910B Un-gapped (OL)

Test Conditions: 1kHz/1mT/CFR COIL,N=100/25°C

Material Grade	Initial Permeability (μ_{iac})	AL Value (nH)	P_v (W/set)	Ordering code
CF139	2100 \pm 20%	2300 +30%/-20%	<0.19(100mT,100kHz,100°C)	CF139 EE1910B

Dimensions:

Dimension	Nominal (in mm)	Maximum (in mm)	Minimum (in mm)
A	19.0	19.4	18.6
B	14.3	14.6	14.0
C	8.2	8.5	7.9
D	5.8	6.0	5.6
E	5.95	6.2	5.7
F	9.0	9.3	8.7



For Cosmo Ferrites Limited-INDIA

Checked By: R.S.
 Approved By: B.S.
 Authorized By: KSR
 Date: 20-12-2020 (ISSUE NO.1)

Customer's Approval

Authorized Signatory:
 Name:
 Date:

NOTE: Please send this Data Sheet back to Cosmo Ferrites Ltd. after approval. If not received back within 15 days, it will be presumed that all the specifications given in the consent/data sheet are acceptable to the concerned.