

Appearance & Shape: To be free from any defect such as flow, burrs, unevenness etc, As per IEC standards.
Effective Parameters irrespective of material grade (per piece)

- Effective Length (L_e): 120.4mm
 - Effective Area (A_e): 195.7mm²
 - Effective Area (A_{Min}): 195.7mm²
 - Effective Volume (V_e): 23567mm³
- Approximate weight: 117g/pc**



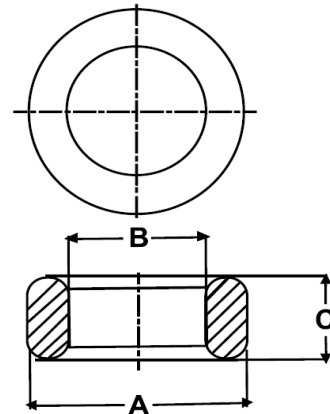
T5020 OL(Un- Coated)

Test Conditions: 10kHz/150mV/CFR COIL,N=01/25°C

Material Grade	Initial Permeability (μ_{iac})	AL Value (nH)/Pc	D.Strength (kV)	Ordering code
CF196	2000 \pm 20%	4100 +30%/-20%	\geq 2.0	CF196T5020
CF139	2100 \pm 20%	4300 +30%/-20%	\geq 2.0	CF139T5020
CF297	2300 \pm 20%	4300 +30%/-20%	\geq 2.0	CF297T5020
CF195A	5000 \pm 20%	10200 +30%/-20%	\geq 2.0	CF195AT5020
CF265	5000 \pm 20%	10200 +30%/-20%	\geq 2.0	CF265T5020
CF197	7000 \pm 20%	14300 +30%/-20%	\geq 2.0	CF197T5020
CF199	9000 \pm 20%	17300 \pm 30%	\geq 2.0	CF199T5020

Dimensions(Uncoated Cores)

Dimension	Nominal (in mm)	Maximum (in mm)	Minimum (in mm)
A	50.0	51.0	49.0
B	30.0	30.65	29.35
C	20.0	20.5	19.5



For general terms and conditions please visit: http://www.cosmoferrites.com/Downloads/Downloads/bcb70e7c-ae33-40ec-a881-0d5120db57b6_GTC.pdf

Regd. Office & Works: Jabli, Distt. Solan, Himachal Pradesh – 173 209 (India)

Tel: +91 1792 277231/32/36, Fax: +91 1792 277234

E-mail: sales@cosmoferrites.com