

Appearance & Shape: To be free from any defect such as flow, burrs, unevenness etc, As per IEC standards.

Effective Parameters irrespective of material grade (per piece)

- Effective Length (L_e): 43.3 mm
- Effective Area (A_e): 31.7mm²
- Effective Area (A_{Min}): 31.7mm²
- Effective Volume (V_e): 1372mm³

Approximate weight : 8.35g/pc



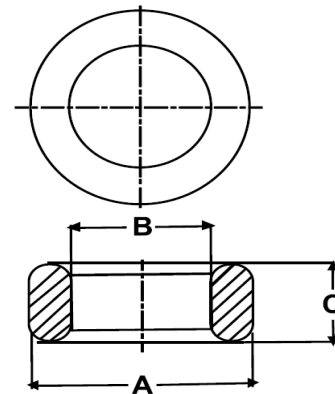
T1810 OL (Un- Coated)

Test Conditions: 10kHz/150mV/CFR COIL,N=01/Lo=Zero/25°C

Material Grade	Initial Permeability (μ_{iac})	AL Value (nH)	Ordering code
CF196	2000 \pm 20%	1800+30%/-20%	CF196T1810
CF139	2100 \pm 20%	1900+30%/-20%	CF139T1810
CF130	3000 \pm 20%	2800+30%/-20%	CF130T1810
CF195A	5000 \pm 20%	4600+30%/-20%	CF195AT1810
CF265	5000 \pm 20%	4600+30%/-20%	CF265T1810
CF190	6000 \pm 20%	5500+30%/-20%	CF190T1810
CF197	7000 \pm 20%	6400+30%/-20%	CF197T1810
CF199	9000 \pm 20%	8250 \pm 30%	CF199T1810

Dimensions(Un-coated Core)

Dimension	Nominal (in mm)	Maximum (in mm)	Minimum (in mm)
A	17.5	18.0	17.0
B	11.05	11.35	10.75
C	10.0	10.3	9.7



For general terms and conditions please visit: http://www.cosmoferrites.com/Downloads/Downloads/bcb70e7c-ae33-40ec-a881-0d5120db57b6_GTC.pdf