
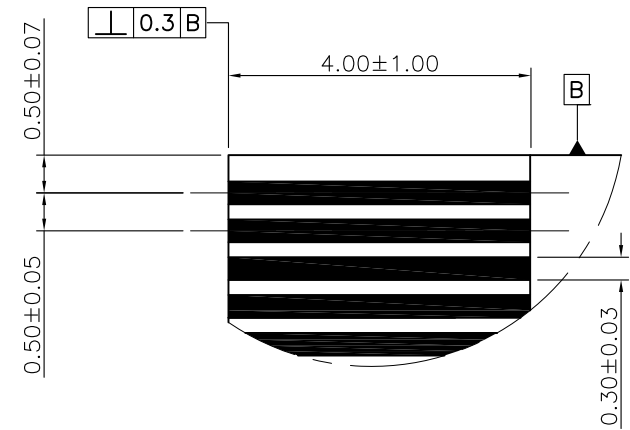
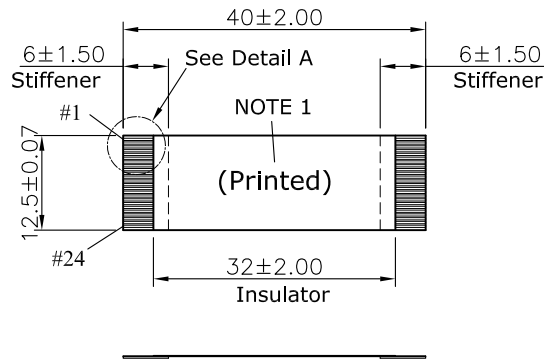


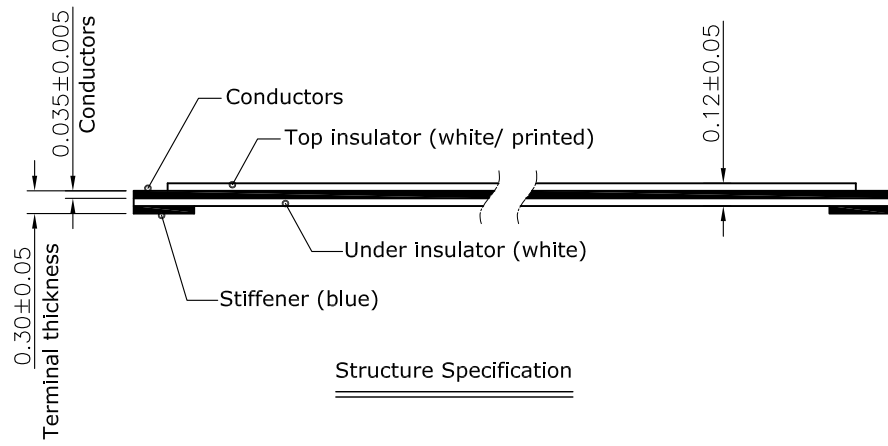
REV.	DESCRIPTION	DRAWN	DATE
1	INITIAL RELEASE	TIM	2020/09/15

NOTE:

- E508712  AWM 20624 80C 60V VW-1




DETAIL A
SCALE 10:1



Structure Specification

4	Stiffener, Thicknees 0.225mm, Blue
3	Under Insulation, Thicknees 0.043mm, White
2	Top Insulation, Thicknees 0.043mm, White, Printed
1	Conductor, 0.035*0.3, Tin plating

NO.		DESCRIPTION		
UNLESS OTHERWISE SPECIFIED TOLERANCE				
UNIT:	LENGTH	LINEAR	 www.attend.com.tw	
	mm	1~10		±1
		11~30		±2
		31~50	±3	
DRAWN	Tim	2020/09/15	DRAWN NAME:	
CHECKED	Anson	2020/09/15	FFC Cable, pitch 0.5, 24P L=40	
APPROVED	Kate	2020/09/15	CUSTOMER NO.	
SCALE	1/1	SHEET	1/1	
SIZE	A4	PRODUCT NO.	FFC-0524-2037004	