

1 2 3 4 5 6 7 8 9

A

B

C

D

E

F

A

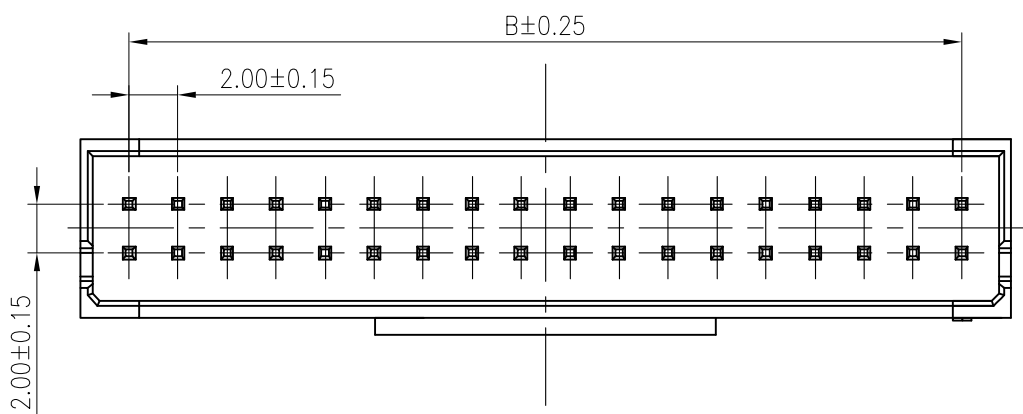
B

C

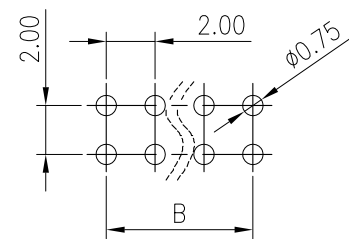
D

E

F



Recommended P.C.B Layout(top side)
Tolerance=±0.05



◆SPECIFICATIONS

- Current rating: 2A AC, DC
- Voltage rating: 250V AC,DC
- Temperature range: -25°C ~ +85°C
- Insulation resistance: 1000MΩ Min.
- Withstanding voltage: 800V AC/ minute.
- Contact resistance: 30mΩ Max.

Material:

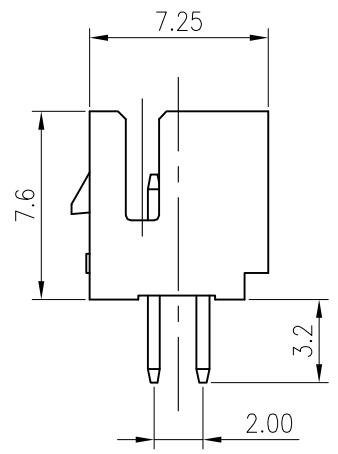
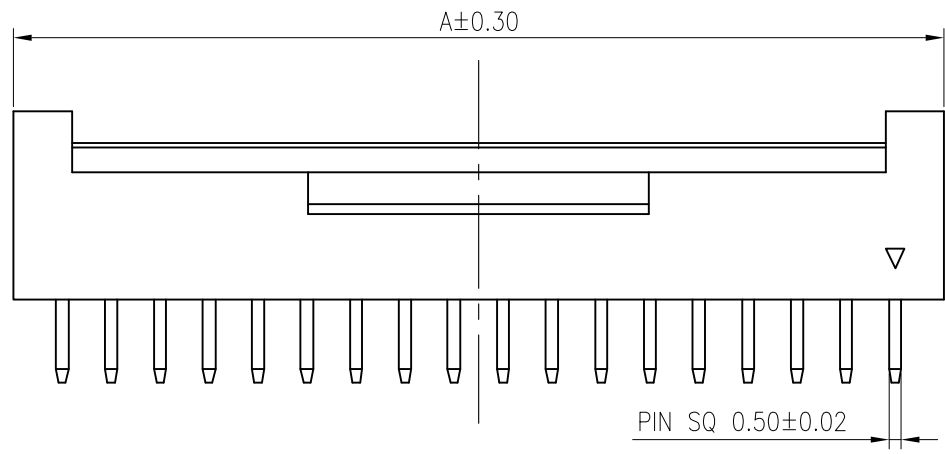
Insulator: Nylon 66 UL 94V-2
Contact: Brass
Plating: Tin plated over Nickel
Circuits: 2*5~2*20

L-KLS1-XL4-2.00-2-XX-S

RoHS
Part NO
Series No.

Type:S=Straight pin
PIN Number: 02 ~ 20Pin
Pins: 2-Double layer
Pitch: 2.00=2.00mm

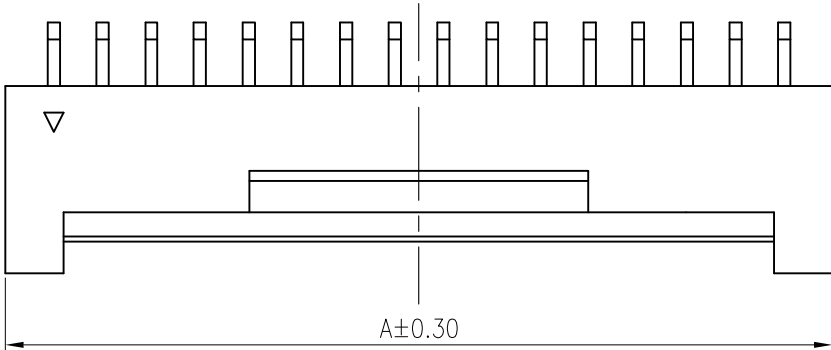
Circuits	Dimension	
	A	B
2*03P	8.00	4.00
2*04P	10.00	6.00
2*05P	12.00	8.00
2*06P	14.00	10.00
2*07P	16.00	12.00
2*08P	18.00	14.00
2*09P	20.00	16.00
2*10P	22.00	18.00
2*11P	24.00	20.00
2*12P	26.00	22.00
2*13P	28.00	24.00
2*14P	30.00	26.00
2*15P	32.00	28.00
2*16P	34.00	30.00
2*17P	36.00	32.00
2*18P	38.00	34.00
2*19P	40.00	36.00
2*20P	42.00	38.00



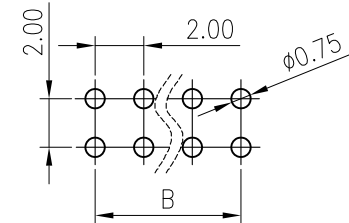
			GENERAL TOLERANCE		UNIT: mm	DATE	NINGBO KLS ELECTRONIC CO.LTD		
			.X±0.30	X°±1°	DRAWN:				
			.XX±0.20	.X°±	CHECKED:		PROJECT PART NO. KLS1-XL4-2.00		
			.XXX±0.10	.XX°±	APPROVED:		VER. SCALE: N/A A1 SHEET: 1/1		
LTR	NAME	DATE	VERISION RECORD		DRAWING NO.				
1	2	3	4	5	6	7	8	9	

- ◆ SPECIFICATIONS
- Current rating: 2A AC, DC
 - Voltage rating: 250V AC, DC
 - Temperature range: -25°C ~ +85°C
 - Insulation resistance: 1000MΩ Min.
 - Withstanding voltage: 800V AC/ minute.
 - Contact resistance: 30mΩ Max.

Material:
 Insulator: Nylon 66 UL 94V-2
 Contact: Brass
 Plating: Tin plated over Nickel
 Circuits: 2*5~2*20



Recommended P.C.B Layout(top side)
 Tolerance=±0.05

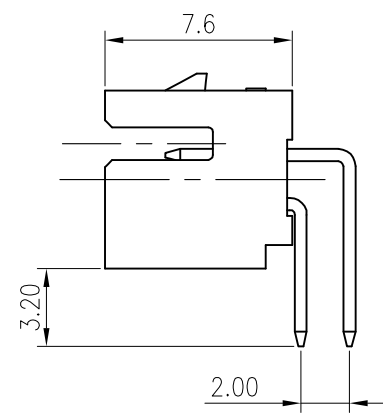
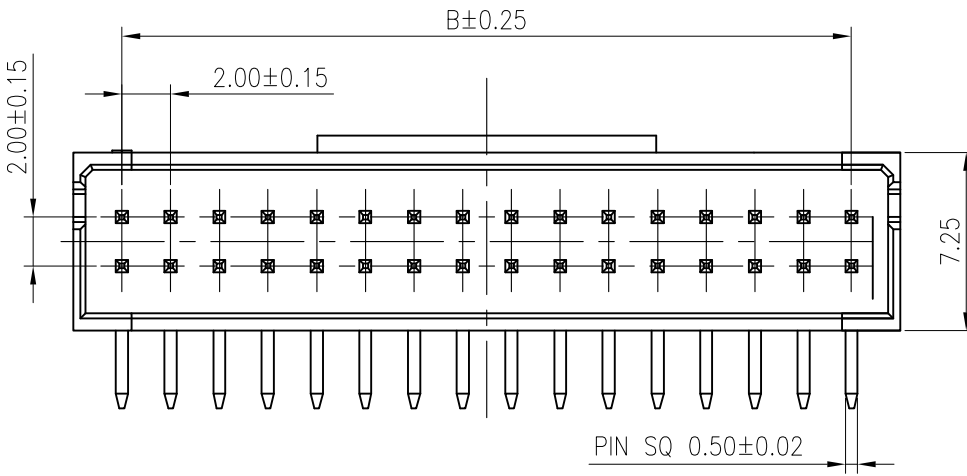


L-KLS1-XL4-2.00-2-XX-R

RoHS
 Part NO
 Series No.

Type: R=Right pin
 PIN Number: 02 ~ 20Pin
 Pins: 2-Double layer
 Pitch: 2.00=2.00mm

Circuits	Dimension	
	A	B
2*03P	8.00	4.00
2*04P	10.00	6.00
2*05P	12.00	8.00
2*06P	14.00	10.00
2*07P	16.00	12.00
2*08P	18.00	14.00
2*09P	20.00	16.00
2*10P	22.00	18.00
2*11P	24.00	20.00
2*12P	26.00	22.00
2*13P	28.00	24.00
2*14P	30.00	26.00
2*15P	32.00	28.00
2*16P	34.00	30.00
2*17P	36.00	32.00
2*18P	38.00	34.00
2*19P	40.00	36.00
2*20P	42.00	38.00

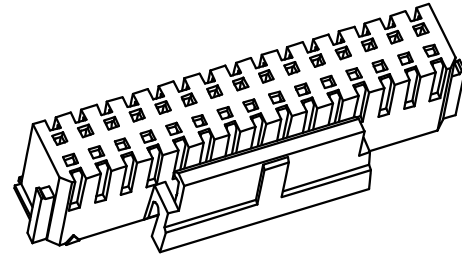
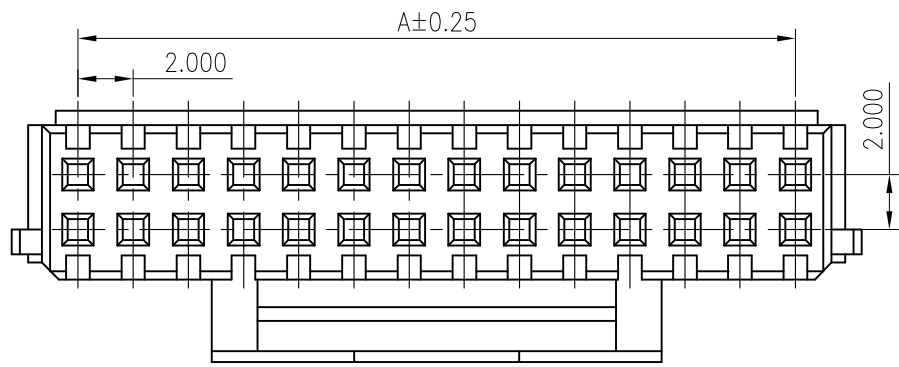


△				GENERAL TOLERANCE	UNIT: mm	DATE	TITLE: PHB 2.0 90° Wafer		
△				.X±0.30	X°±1°	DRAWN:			
△				.XX±0.20	.X°±	CHECKED:			
△				.XXX±0.10	.XX°±	APPROVED:			
LTR	NAME	DATE	VERISION RECORD				VER.	SCALE:	N/A
1	2	3	4	5	6	7	A1	SHEET:	1/1

KLS NINGBO KLS ELECTRONIC CO.LTD

PROJECT PART NO. KLS1-XL4-2.00

DRAWING NO.



SPECIFICATIONS

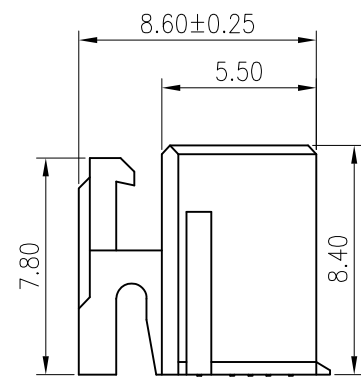
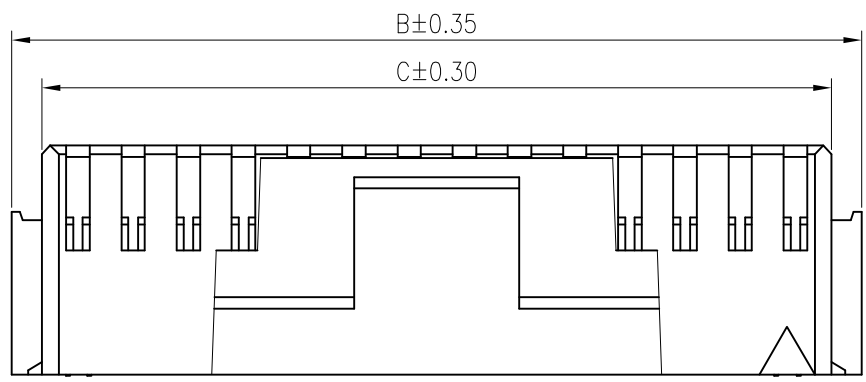
Current rating: 2A
 Voltage rating: 250V AC,DC
 Temperature range: -25°C~85°C
 Insulation resistance: 1000MΩ/ min.
 Withstanding voltage: 800V AC/ minute.
 Contact resistance: 20mΩ/ max.

Material: Nylon66 UL94V-0

Dimensional & Ordering Information

L-KLS1-XL4-2.00-2-XX-H
 RoHS
 Part NO
 Series No.
 Type:H=Housing
 PIN Number: 02 ~ 20Pin
 Pins: 2-Double layer
 Pitch: 2.00=2.00mm

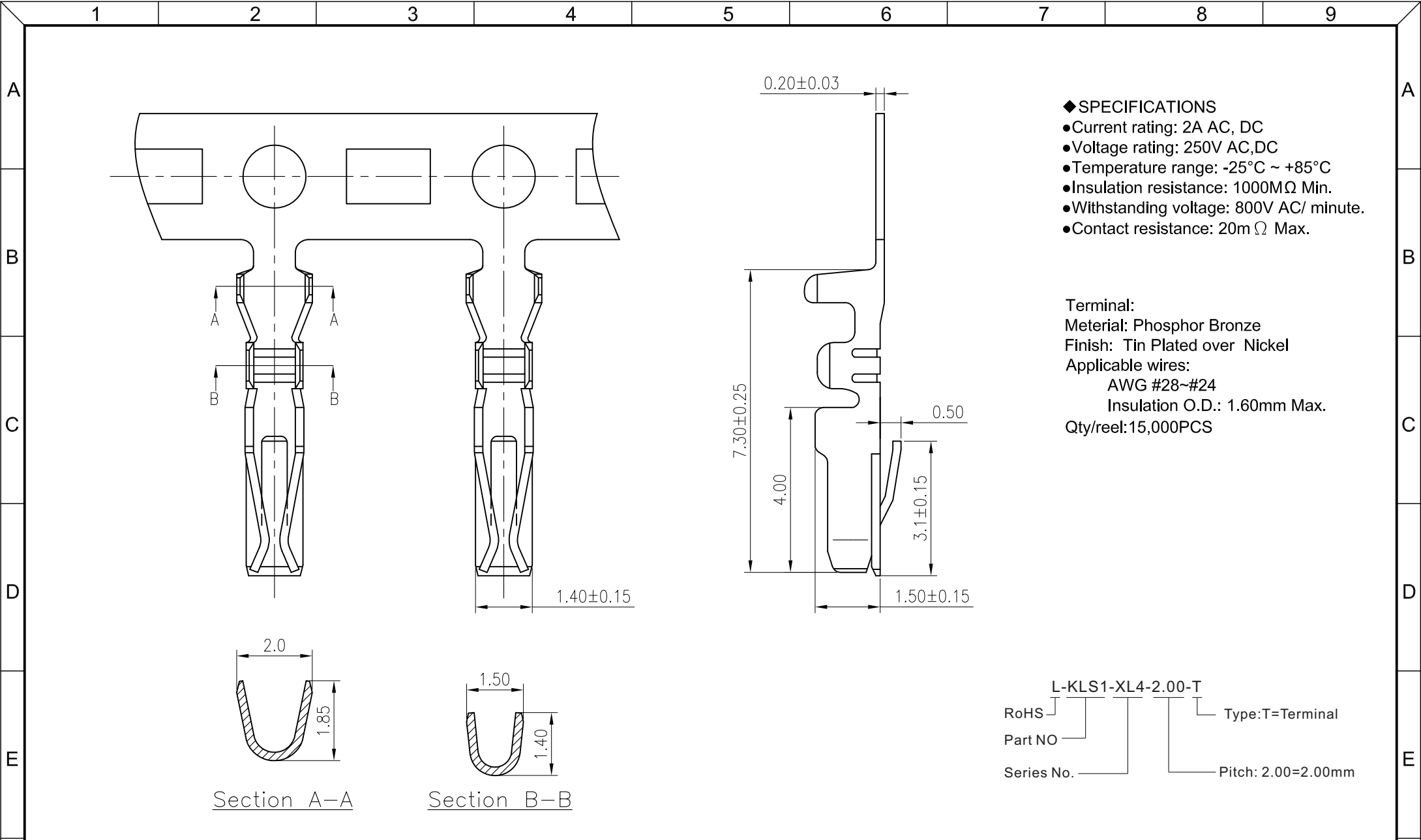
Part No.	Dimensions		
	A	B	C
02	2.00	6.7	4.7
03	4.00	8.7	6.7
04	6.00	10.7	8.7
05	8.00	12.7	10.7
06	10.00	14.7	12.7
07	12.00	16.7	14.7
08	14.00	18.7	16.7
09	16.00	20.7	18.7
10	18.00	22.7	20.7
11	20.00	24.7	22.7
12	22.00	26.7	24.7
13	24.00	28.7	26.7
14	26.00	30.7	28.7
15	28.00	32.7	30.7
16	30.00	34.7	32.7
17	32.00	36.7	34.7
18	34.00	38.7	36.7
19	36.00	40.7	38.7
20	38.00	42.7	40.7



△				GENERAL TOLERANCE	UNIT: mm	DATE	TITLE: PHB 2.0 Housing		
△				.X±0.30	X°±1°	DRAWN:			
△				.XX±0.20	.X°±	CHECKED:			
△				.XXX±0.10	.XX°±	APPROVED:			
LTR	NAME	DATE	VERISION RECORD				VER.	SCALE:	N/A
1	2	3	4	5	6	7	A1	SHEET:	1/1

NINGBO KLS ELECTRONIC CO.LTD


PROJECT	PART NO.	KLS1-XL4-2.00
DRAWING NO.		



- ◆ SPECIFICATIONS
- Current rating: 2A AC, DC
 - Voltage rating: 250V AC, DC
 - Temperature range: -25°C ~ +85°C
 - Insulation resistance: 1000MΩ Min.
 - Withstanding voltage: 800V AC/ minute.
 - Contact resistance: 20m Ω Max.

Terminal:
 Material: Phosphor Bronze
 Finish: Tin Plated over Nickel
 Applicable wires:
 AWG #28~#24
 Insulation O.D.: 1.60mm Max.
 Qty/reel: 15,000PCS

L-KLS1-XL4-2.00-T
 RoHS
 Part NO
 Series No.
 Type: T=Terminal
 Pitch: 2.00=2.00mm

△				GENERAL TOLERANCE		UNIT: mm		DATE		TITLE: PHB 2.0 Terminal		 NINGBO KLS ELECTRONIC CO.LTD	
③				.X±0.30 X°±1°		DRAWN:						PROJECT	
△				.XX±0.20 .X°±		CHECKED:				VER. SCALE: N/A		PART NO.	
△				.XXX±0.10 .XX°±		APPROVED:				A1 SHEET: 1/1		KLS1-XL4-2.00	
LTR	NAME	DATE	VERISION RECORD								DRAWING NO.		
1	2	3	4	5	6	7	8	9					