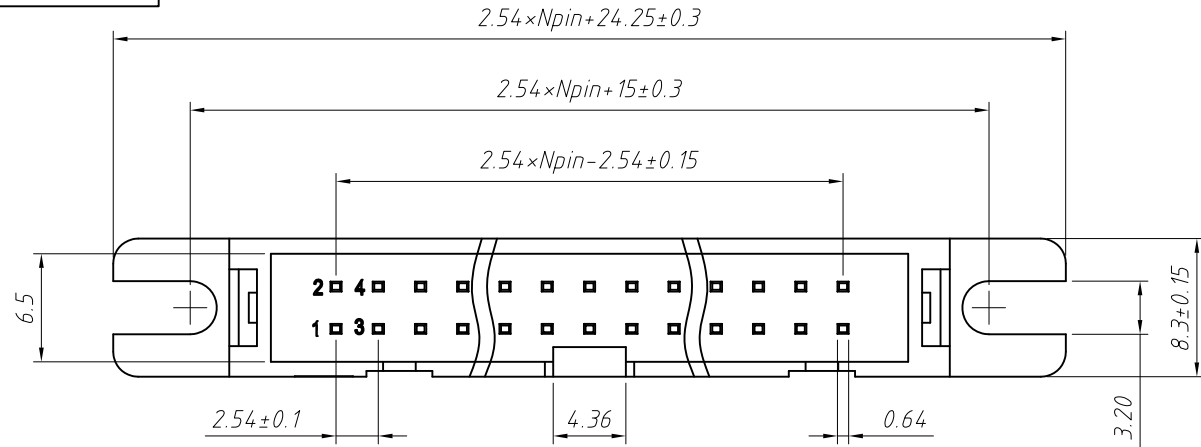
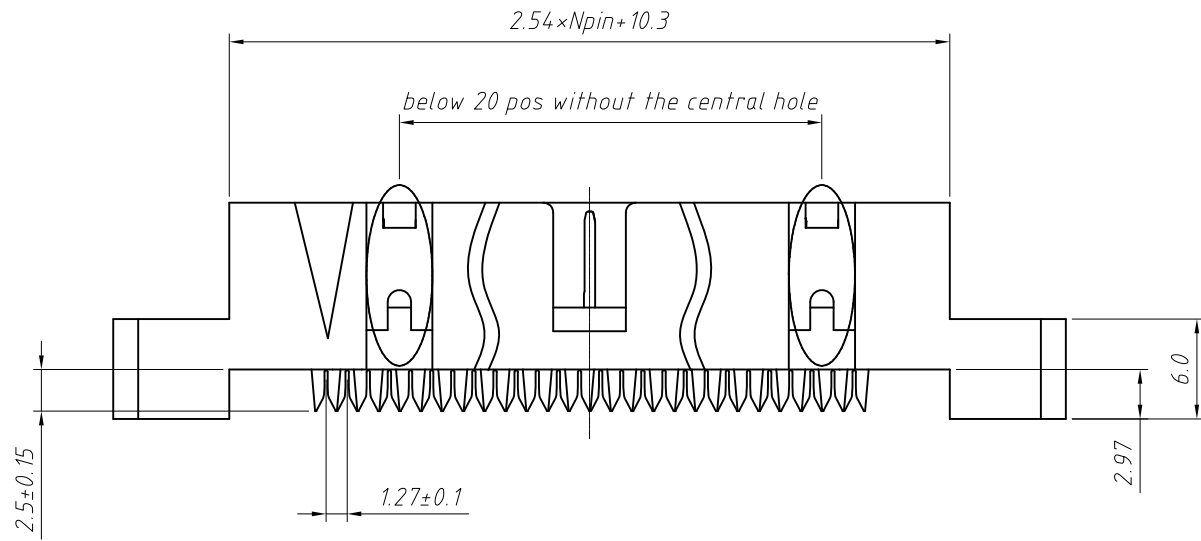


1 RoHS Compliance

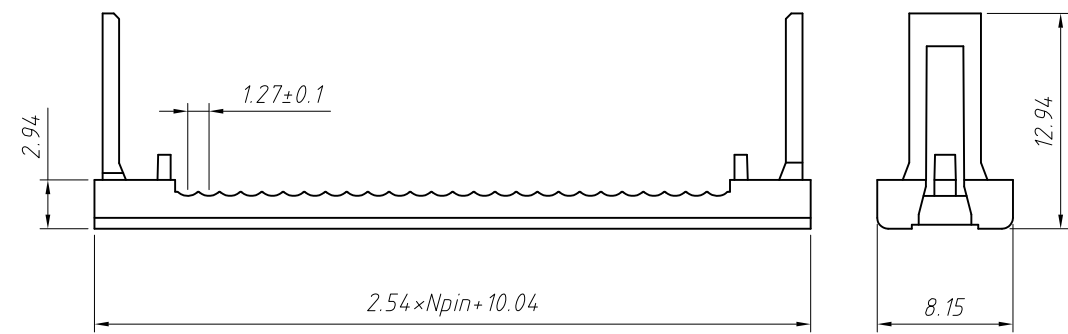


Material:
 Housing: PBT UL94V-0
 Contacts: Brass
 Plating: Au or Sn Over Ni
 Cable: 1.27mm (0.050") pitch flat cable

Electrical Characteristics:
 Current Rating: 3.0 AMP
 Withstand Voltage: 1000V AC
 Insulator Resistance: 1000M Ohm min
 Contact Resistance: 20m Ohm max.
 Operating Temperature: $-40^{\circ}\text{C} \sim +105^{\circ}\text{C}$
 Max.Processing Temp: 180°C for 30-60 seconds
 (200°C for 10 seconds)



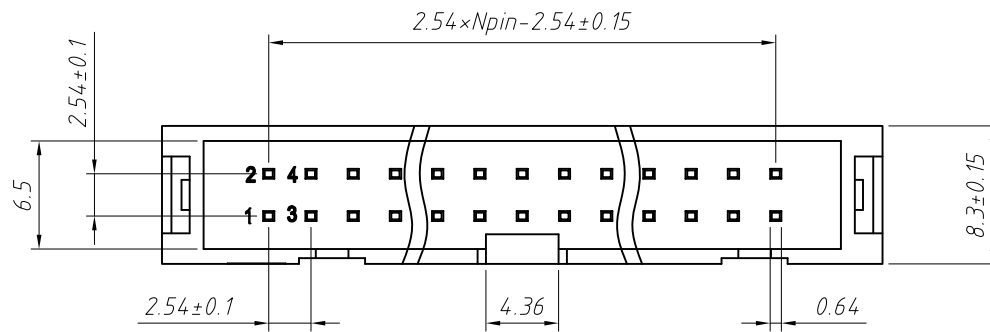
Order Information:
 L-KLS1-201Z-XX-G-E
 L: RoHS
 IDC connectors
 2.54mm Pitch
 XX-No. of 06 ~ 64pin
 Color: B-Black G-Gray
 Type: _____
 E-With ears N-Without ears



ANGLE TOLERANCE	PROJECTION	Description:
$\pm 3^{\circ}$		2.54mm Pitch IDC Box Header Connector
GENERAL TOLERANCE	UNITS	mm
x.x ± 0.30	SHEET SIZE	A4
x.xx ± 0.20	Draw:	Daniel 2018-07-10
x.xxx ± 0.10	Check:	Daniel 2018-07-10

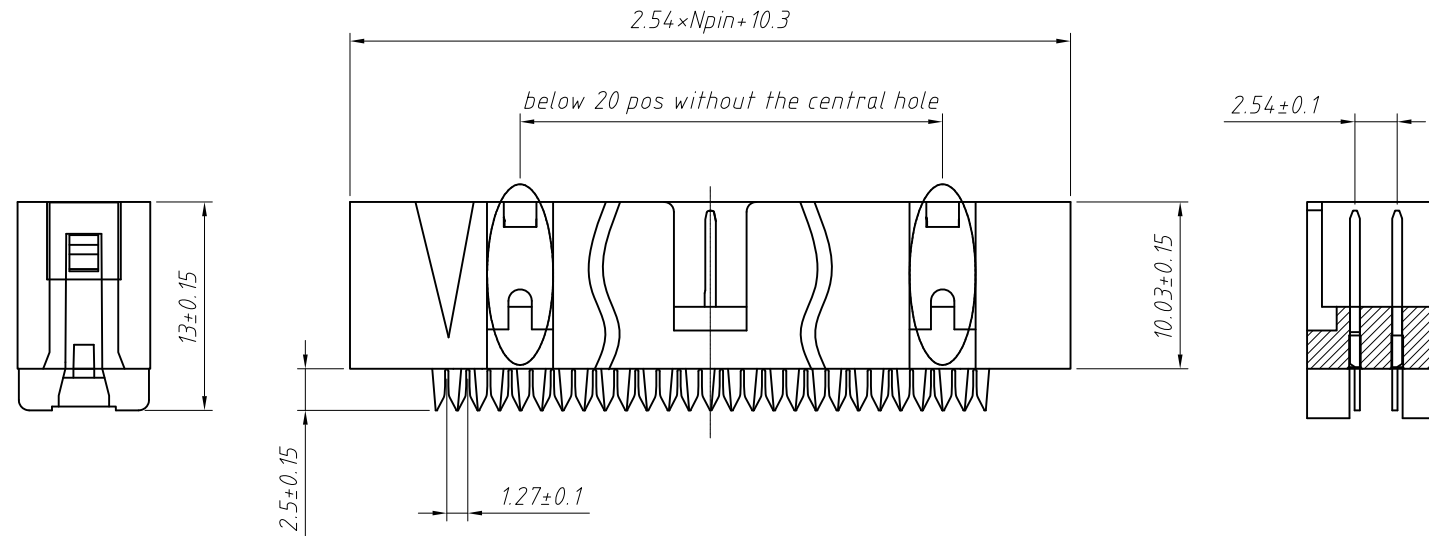
NingBo KLS ELECTRONIC CO.,LTD.

1
RoHS Compliance

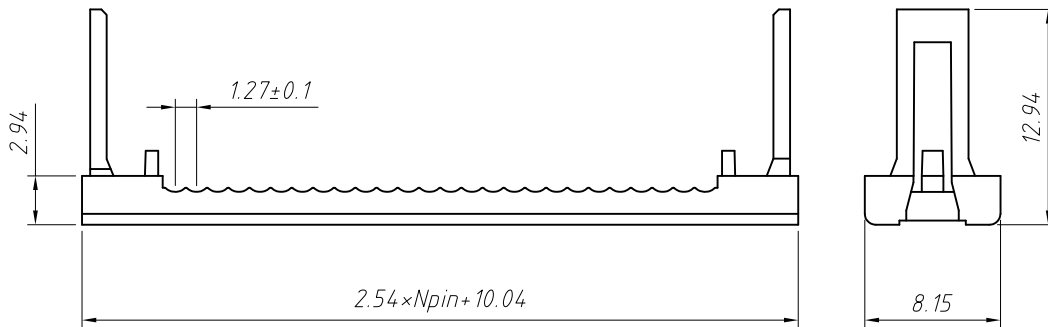


Material:
 Housing: PBT,UL94V-0
 Contacts: Brass
 Plating: Au or Sn Over Ni
 Cable: 1.27mm (0.050") pitch flat cable

Electrical Characteristics:
 Current Rating: 3.0 AMP
 Withstand Voltage: 1000V AC
 Insulator Resistance: 1000M Ohm min
 Contact Resistance: 20m Ohm max.
 Operating Temperature: $-40^{\circ}\text{C} \sim +105^{\circ}\text{C}$
 Max.Processing Temp: 180°C for 30-60 seconds
 (200°C for 10 seconds)



Order Information:
 L-KLS1-201Z-XX-G-N
 L: RoHS
 IDC connectors
 2.54mm Pitch
 XX-No. of 06 ~ 64pin
 Color: B-Black G-Gray
 Type: _____
 E-With ears N-Without ears



ANGLE TOLERANCE	PROJECTION	Description:
$\pm 3^{\circ}$		2.54mm Pitch IDC Box Header Connector
GENERAL TOLERANCE	UNITS	mm
x.x ± 0.30	SHEET SIZE	A4
x.xx ± 0.20	Draw:	Daniel 2018-07-10
x.xxx ± 0.10	Check:	Daniel 2018-07-10



NingBo KLS ELECTRONIC CO.,LTD.