

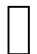





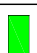




Specifications	Figure	Colour	Specifications	Figure	Colour
FAKRA-A		Black	FAKRA-G		Gray
FAKRA-B		White	FAKRA-H		Pink
FAKRA-C		Blue	FAKRA-I		Beige
FAKRA-D		Purple	FAKRA-K		Yellow
FAKRA-E		Green	FAKRA-Z		Sky blue
FAKRA-F		Brown			

**Material**

1. Backseat: brass, nickel plated
2. Copper pipe: brass, nickel plating
3. Central needle: brass, nickel plating
4. Insulator: PTFE
5. Shell: PA66 +16%GF,UL 94V-0

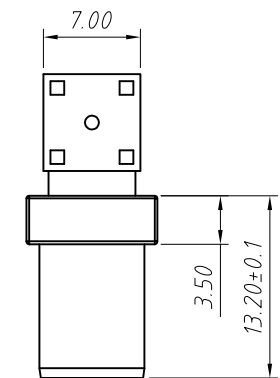
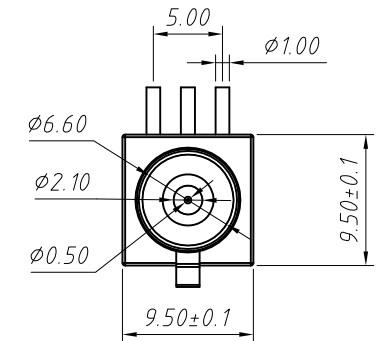
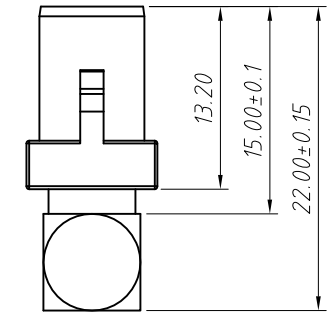
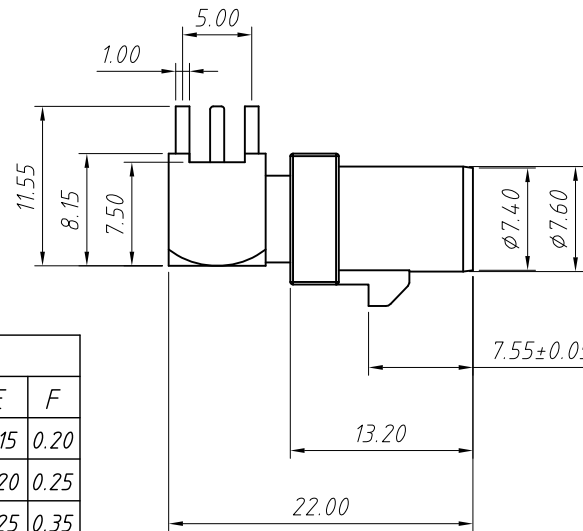
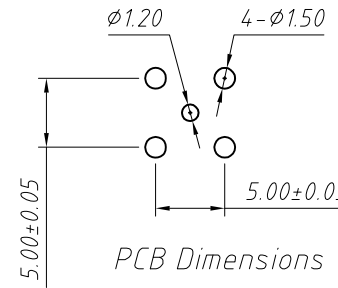
**Electrical**



Temp.range:-55°C to +155 °C  
 Impedance:50Ω  
 Frequency Range:DC~3GHz  
 Workin Voltage:335V max  
 Withstand Voltage:700V rms  
 Center Contact(Center Contact):≤6mΩ  
 Center Contact(Outer Contact):≤1mΩ  
 Insulation Resistance:≥1000MΩ  
 Vibration:100m/S<sup>2</sup>(80~2000Hz)  
 Impact:500m/S<sup>2</sup>  
 VSWR:≤1.3  
 Durability(mating):≥500 cycles  
 Inner Conductor:≥0.28N  
 Outer Conductor:≥8N

Unnoted tolerance						
Size	A	B	C	⌀	E	F
0-6	0.03	0.05	0.08	0.10	0.15	0.20
6-18	0.05	0.08	0.10	0.15	0.20	0.25
18-30	0.08	0.10	0.15	0.20	0.25	0.35
30-50	0.10	0.15	0.20	0.25	0.35	0.50
50-80	0.15	0.20	0.25	0.35	0.50	0.65
80-120	0.20	0.25	0.35	0.50	0.65	0.80
120-180	0.25	0.35	0.50	0.65	0.80	0.95
180-250	0.35	0.50	0.65	0.80	0.95	1.15

**Technical requirements:**

1. There are no adverse phenomena such as shrinkage, pike, oil stain, glue shortage and miscellaneous color on the surface of the product.
2. The product conforms to ROHS environmental protection standard.



PROJECTION		Description:	
UNITS	mm	Fakra JWEF	
SCALE	1:1		
Draw by:	Jenny	KLS P/N:	L-KLS1-FAKRA-F-003-S
Check by:		 NingBo KLS ELECTRONIC CO.,L TD.	
Date	2019-02-20		
SHEET	3 OF 1		