

REVISION RECORD				
REV	ECN	DESCRIPTION	DRFT	DATE
00-2		Adding product name and corporate logo	Ethan	2017.04.22
00-3		Adding UL&VDE logo, change VDE parameter	MEK	2018.03.06

仅供参考图
 签字: 蓝贵山
 日期: 2018.09.08

NOTES1:
 UL Standard
 1. Rated voltage/current : 600V / 16A
 2. Withstanding voltage : AC2200V/1Min.

00-3 IEC Standard

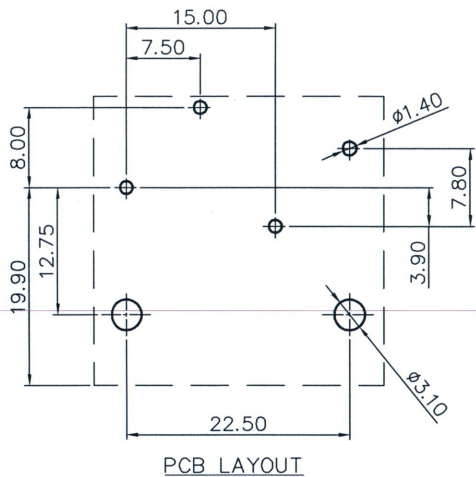
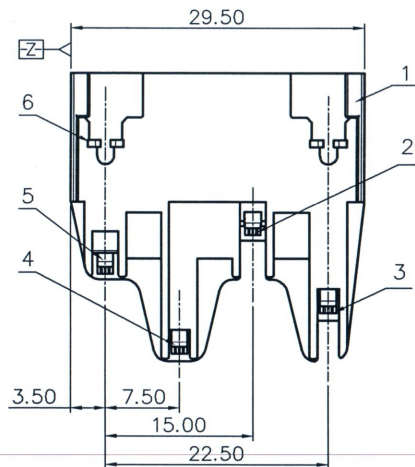
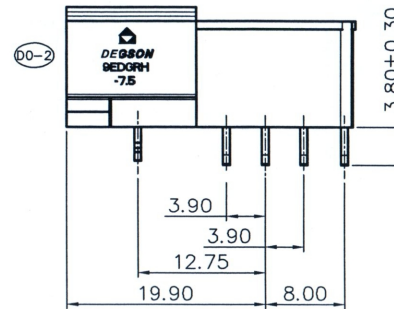
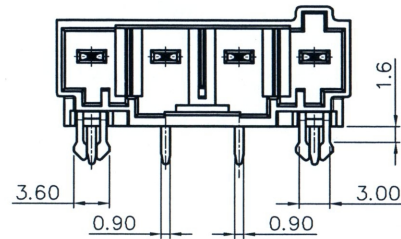
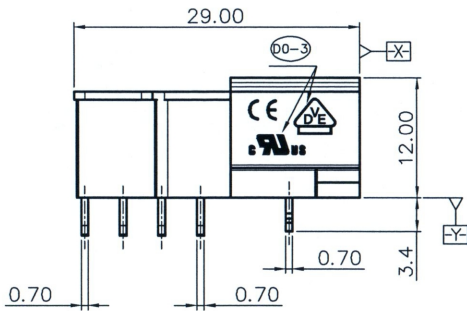
1. Pollution degree	3	3	2
Overvoltage category	I	I	III
Rate impulse voltage(KV)	8KV	8KV	8KV
Rate voltage(V)	800V	800V	1000V
Rate current(A)	20A		

NOTES2:
 1. Dimension shall be interpreted per ASME Y14.5-2009
 2. Pitch : 7.50mm, Poles : 04P
 3. Operating temperature: -40°C~+105°C
 4. Undimensioned tolerances:

Pitch range in mm		Nominal dimension range in mm					
TO	Over TO	Over TO	Over TO	Over TO	Over TO	0.1/10	
6	10	24	30	60	100	150	<
±0.15	±0.20	±0.30	±0.30	±0.50	±0.70	±1.00	±2*

5. RoHS Compliance

9EDGRH - 7.5 - 04P - 1Y - 100A (H)
 (RoHS)
 100A-(Customer Request)
 (Series No.)(Pitch)(Poles)(Single Pitch) (Color): 1.(Grey)
 2.(Blue)
 3.(Black)
 4.(Green)
 5.(Orange)
 6.(Red)
 7.(Transparent)
 8.(Yellow)
 9.(White)



ITEM	NAME OF PART	MATERIAL	NOTES
6	Mount header	Copper alloy	Au Plated Area
5	Pin header4	Copper alloy	Au Plated Area
4	Pin header3	Copper alloy	Au Plated Area
3	Pin header2	Copper alloy	Au Plated Area
2	Pin header1	Copper alloy	Au Plated Area
1	Housing	PA66	UL94V-0

PART NO: /		宁波高松电子有限公司 NINGBO DEGSON ELECTRICAL CO., LTD	
APPD: A/m 2018.09.08		NAME: 9EDGRH-7.5-04P-1Y-100A(H)	
CHKD: MEK 2018.09.08		TITLE: CUSTOMER DRAWING	
DRFT: Ethan 2017.04.28		REV	DO-3
DRAWING NO.: 9EDGRH-7.5-C02		SHEET	1/1
THIRD ANGLE PROJECTION		SCALE	1:1

H
G
F
E
D
C
B
A

8 7 6 5 4 3 2 1