

Adjustable Voltage Regulator Board DC-DC Buck Adjustable Linear Regulator



Product Description

Output current: 1.5A (minimum), 2.2A (typ)

The input to output voltage differential (VIVO): 40Vdc (max)

Adjustable output voltage range: 1.2 ~ 37V

Working temperature: 55 degrees +150 degrees C C to

Output current: 1.5A

Input voltage: 4.2 ~ 40 V

Working temperature: 0 degrees C to 125 degrees C

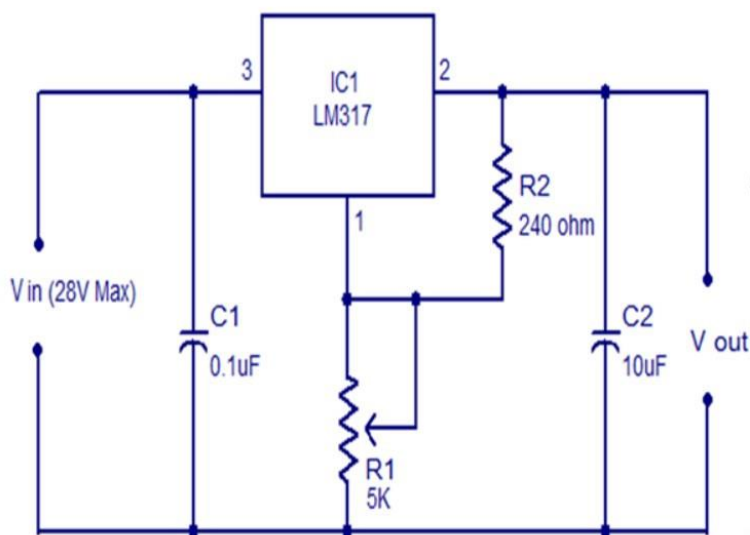
The characteristic frequency: 100 (MHz)

Module size: 35.6 (mm) x16.8 (mm)

Input: VIN input is level, the GND input negative

Output mode: Output of VOUT positive, GND negative output

The maximum output current: the maximum output current of =3/ (input voltage and outputvoltage)



Typical adjustable regulator using LM317

$$V_{out} = 1.25V (1 + (R2/R1)) + (I_{adj} \times R2)$$

LM317 Pin Arrangement



1. Adjust
2. Vout
3. Vin

Heatsink is connected to pin 2