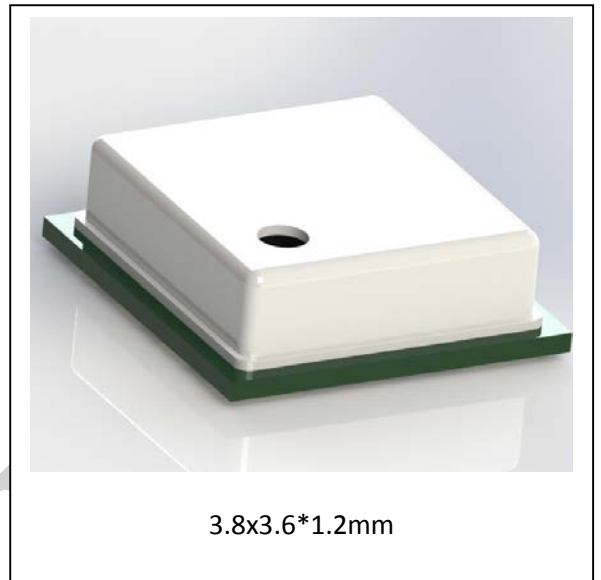


Features

- Low cost
- Operating temperature:-40°C~85°C
- Operating Pressure: 0 ~ 150.....2000Kpa
- DFN8



Applications

- Mobile altimeter / barometer
- Medical Instrumentation
- White Goods
- Factory Automation
- Control System
- Weather station equipment

Descriptions

The pressure sensor is available with an absolute pressure sensing chip that is attached to a surface mountable substrate. A stainless steel cap is attached to the substrate, protecting the chip. The pressure sensor is intended for high volume, cost sensitive applications, Performance is achieved through careful resistor placement and mechanical configuration.

1. Electrical Specifications

Table 1: Supply Voltage 5 Vdc, Ambient Temperature: 25°C (unless otherwise specified)

Name	Symbol	Min	Tpy	Max	Unit	Notes
Operating Pressure	HP100-0150A	0		150	Kpa	
	HP100-0350A	0		350		
	HP100-0500A	0		500		
	HP100-0700A	0		700		
	HP100-2000A	0		2000		
Pressure Type	-	Absolute		-		
Overpressure	T=25°C	2X			FS	
Burst Pressure	T=25°C	>3X			FS	
Operating Temperature	-	-40		85	°C	
Storage Temperature	-	-40		150	°C	
Media		Non-Corrosive Dry Gases				
Supply Voltage	T=25°C		5	10	V	
Supply Current	T=25°C		1	2	mA	
Input & Output Resistance	T=25°C	4.5	5	5.5	KΩ	
Zero Offset	T=25°C	-25	0	25	mV	
Span	T=25°C	60	90	130	mV	1
Pressure Nonlinearity	T=25°C	-0.2		0.2	%FS	2
TC Zero Offset	T=25°C	-0.08		0.08	%FS	
TC Span	T=25°C	-0.27	-0.22	-0.17	%FS/°C	3
	T=25°C	-0.03		0.03	%FS/°C	3
TC Resistance	T=25°C	1600	2000	2400	ppm	3
Pressure Hysteresis	T=25°C	-0.1	0.05	0.1	%FS	

Notes:

- 1、Ratio metric to supply voltage.
- 2、Best fit straight line.
- 3、Over the temperature range 0-50°C with respect to 25°C.

2. Pin Configuration

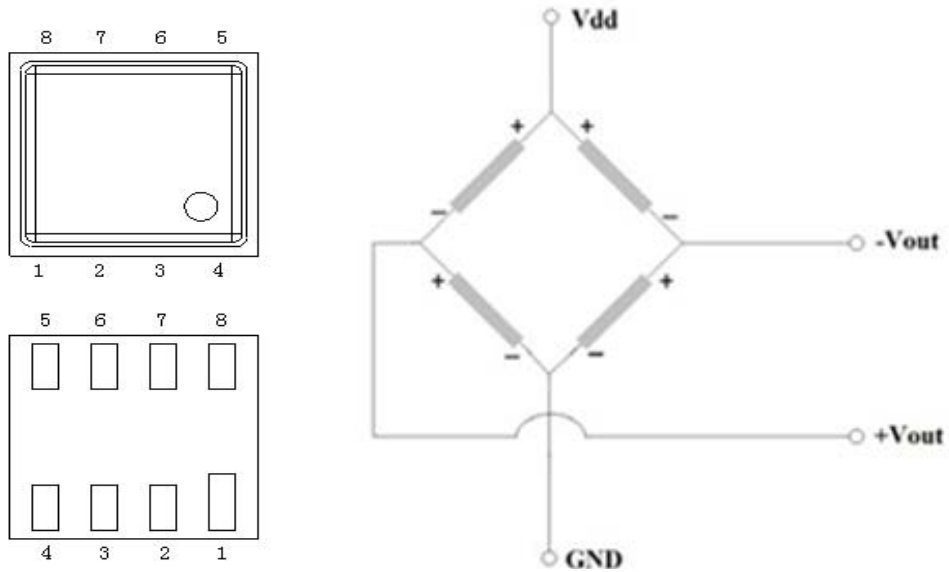
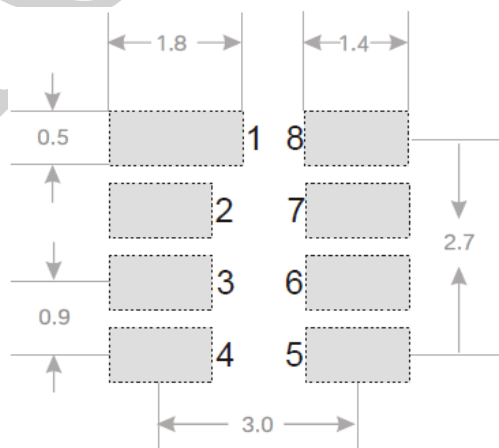


Table 2: Pin Descriptions

Pin#	Pin Name	Function
1	OUT+	Output+
2	NC	Floating Or Connect to GND
3	VDD	Supply+
4	NC	NO Connect
5	NC	NO Connect
6	OUT-	Output-
7	NC	NO Connect
8	GND	Supply-

3. Recommended PDA Layout



Unit: mm

4. Ordering Guide

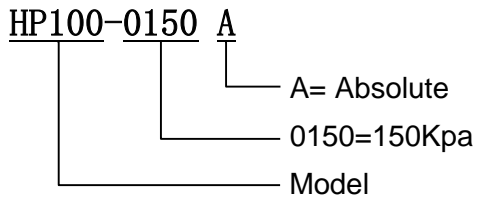
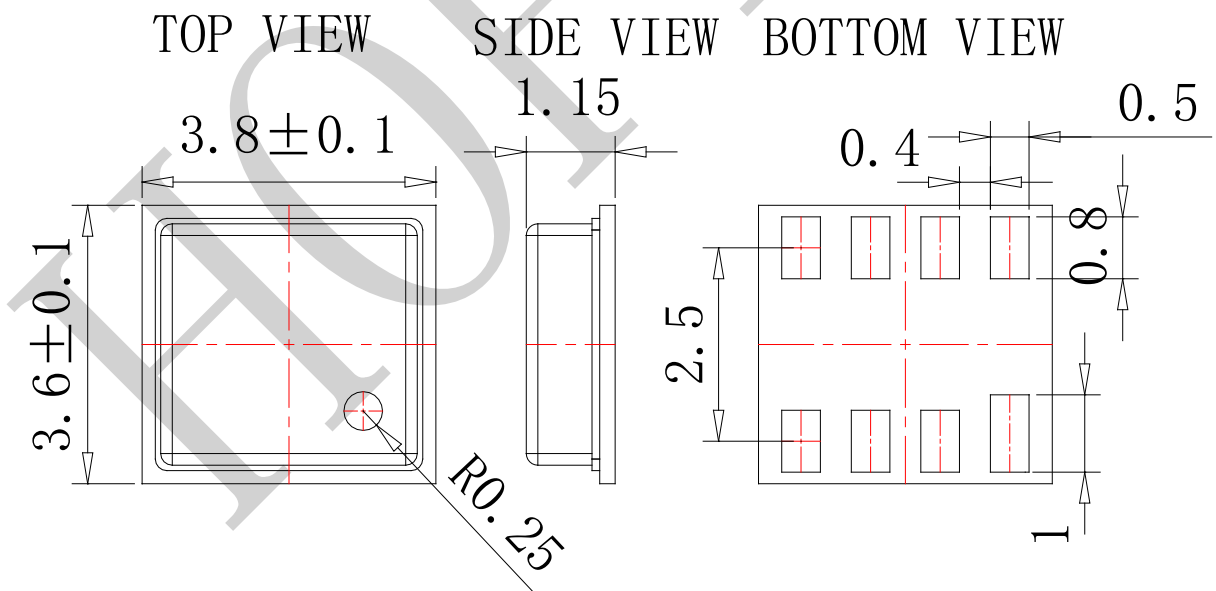


Table 3: Ordering Guide

Part Number	Range	Type
HP100-0150A	150 Kpa	Absolute
HP100-0350A	350 Kpa	Absolute
HP100-0500A	500 Kpa	Absolute
HP100-0700A	700 Kpa	Absolute
HP100-2000A	2000 Kpa	Absolute

5. Package Information



Mechanical Dimension (unit: mm)

General tolerance (0.15mm)

HOPE MICROELECTRONICS CO.,LTD

Add: 2/F, Building 3, Pingshan
Private Enterprise Science and
Technology Park, Lishan Road, XiLi
Town, Nanshan District, Shenzhen,
Guangdong, China

Tel: +86 755 82973805

Fax: +86 755 82973550

Email: sales@hoperf.com

Website: <http://www.hoperf.com>
<http://www.hoperf.cn>

This document may contain preliminary information and is subject to change by Hope Microelectronics without notice. Hope Microelectronics assumes no responsibility or liability for any use of the information contained herein. Nothing in this document shall operate as an express or implied license or indemnity under the intellectual property rights of Hope Microelectronics or third parties. The products described in this document are not intended for use in implantation or other direct life support applications where malfunction may result in the direct physical harm or injury to persons. NO WARRANTIES OF ANY KIND, INCLUDING, BUT NOT LIMITED TO, THE IMPLIED WARRANTIES OF MECHANICALITY OR FITNESS FOR A PARTICULAR PURPOSE, ARE OFFERED IN THIS DOCUMENT.

©2017, HOPE MICROELECTRONICS CO.,LTD. All rights reserved.

Rev: HP100 datasheet V1.0