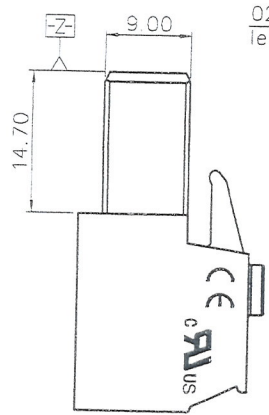
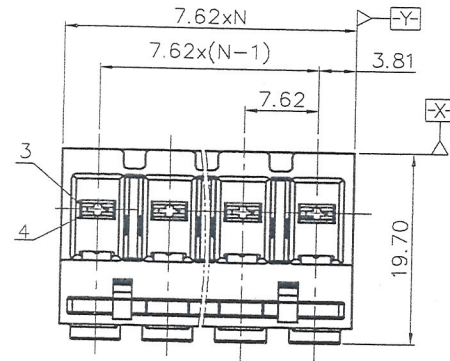
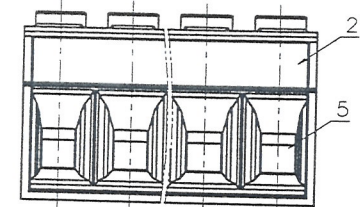
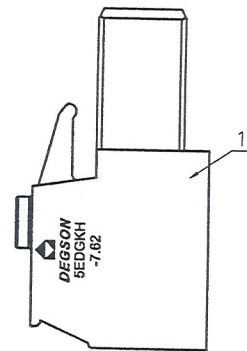
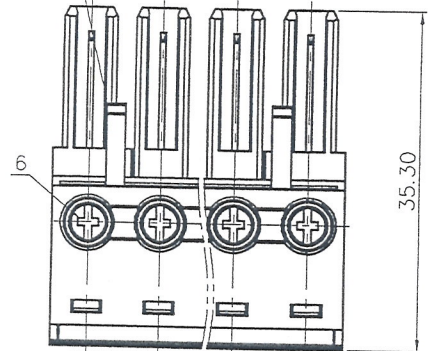


REVISION RECORD				
REV	ECN	DESCRIPTION	DRFT	DATE



02P: Clasp on the left from this view



NOTES1:

- UL Standard
- 1.Rated Voltage/Current : 600V / 41A
- 2.Withstanding Voltage : AC2200V/1Min.
- 3.Torque Value : M3 ,7.0Lb.in
- 4.Wire Range : 24~8AWG(Str),24~10AWG(Sol)

IEC Standard

1. Pollution degree	2	2	3
Overvoltage category	II	III	III
Rate impulse voltage(KV)	6.0KV	8.0KV	8.0KV
Rate voltage(V)	1000V	1000V	1000V
Rate current(A)	41A		

- 2.Torque Value : M3 , 0.8N·m
- 3.Wire Range : 0.5~6mm²

NOTES2:

- 1.Dimension shall be interpreted per ASME Y14.5-2009
- 2.Pitch : 7.62mm, Poles : N=02~12P
- 3.Stripping length : 11.0mm
- 4.Operating temperature: -40°C~+105°C
- 5.Undimensioned Tolerances:

Pitch Range in mm	Nominal Dimension Range				Tolerance			
	Over 6 TO 10	Over 10 TO 24	Over 30 TO 60	Over 60 TO 150				
TO 6	TO 10	TO 24	TO 30	TO 60	TO 100	TO 150	0.1/10	
±0.15	±0.20	±0.30	±0.30	±0.50	±0.70	±1.00	±1.30	±2°

6.RoHS Compliance

5EDGKH - 7.62 - XXP - 1Y - 02A (H)
 (Series No.) (Pitch) (Poles) (Single Pitch) (Color):1.(Grey)
 (RoHS) (Customer Request)
 2.(Blue)
 3.(Black)
 4.(Green)
 5.(Orange)
 6.(Red)
 7.(Transparent)
 8.(Yellow)
 9.(White)

ITEM	NAME OF PART	MATERIAL	NOTES
6	Screw	Steel	M3/Zn Plated
5	Cage	Copper alloy	M3/Ni Plated
4	Spring	Stainless steel	/
3	Clamp	Copper alloy	Sn Plated
2	Cover	PA66	UL94V-0
1	Housing	PA66	UL94V-0

PART NO.: /		宁波高松电子有限公司 NINGBO DEGSON ELECTRICAL CO., LTD	
APPD: <i>Danm 2018.5.14</i>	NAME: 5EDGKH-7.62-XXP-1Y-02A(H)	REV	TO
CHKD: <i>Jay 2 2018.5.14</i>	TITLE: CUSTOMER DRAWING	SHEET	1/1
DRFT: Ethan 2016.09.18	DRAWING NO.: 5EDGKH-7.62-C01	SCALE	1:1
THIRD ANGLE PROJECTION		DO NOT SCALE DRAWING	