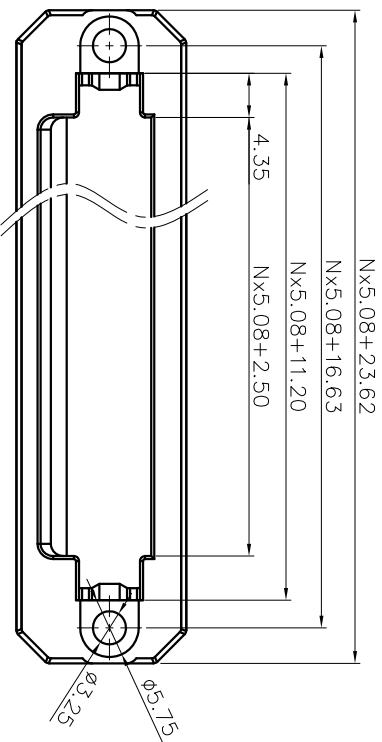
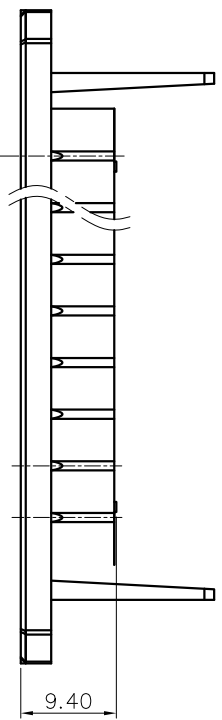
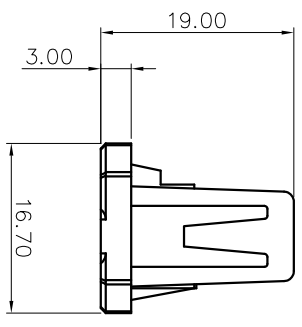
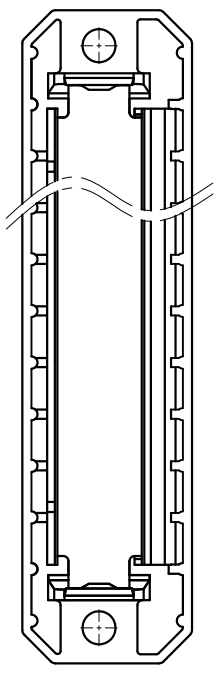


REVISION RECORD			
REV	ECN	DESCRIPTION	DRFT DATE



NOTES:

- 1.Dimension shall be interpreted per ASME Y14.5-2009
- 2.Pitch : 5.08mm, Poles : N=02~22P
- 3.Operating temperature: -40°C~+105°C
- 4.Undimensioned tolerances:

Pitch range in mm	Nominal dimension range			
	Over	Over	Over	Over
TO 10	10	30	60	100
TO 10	10	30	60	150
TO 24	24	60	100	150
TO 6	6	30	60	150
±0.15	±0.20	±0.30	±0.50	±0.70
	±1.00	±1.00	±1.30	±2

5.RoHS Compliance

2CDG - 5.08 - XXP - 1Y - 00A (H)  
 (Series No.) (Pitch) (Poles) (Single Pitch) (Color) : 1.(Grey)  
 2.(Blue)  
 3.(Black)  
 4.(Green)  
 5.(Orange)  
 6.(Red)  
 7.(Transparent)  
 8.(Yellow)  
 9.(White)

A B C D E F G H

8 7 6 5 4 3 2 1

DETACHED LISTS			
PART NO.:	/	NAME:	<b>DEGSON</b> NINGBO DEGSON ELECTRICAL CO., LTD 宁波高松电子有限公司
APPD:	/	CHKD:	/
DRFT:	/	TITLE:	CUSTOMER DRAWING
		DRAWING NO.:	/
		DO NOT SCALE DRAWING	SCALE
		THIRD ANGLE PROJECTION	SCALE

A B C D E F G H