



光之宝
lightBO

深圳光之宝科技有限公司

Shenzhen Guangzhibao Technology Co.,Ltd.

SPECIFICATION FOR APPROVAL

DESCRIPTION : 4-Digit 0.80" Common Cathode White 7-Segment LED Display

PART NUMBER : LB40801EWH3B-D

CUSTOMER : _____

拟制 (PREPARED BY) : LI PEIWEI

审核 (CHECKED BY) : WEN WU

批准 (APPROVED BY) : LIU ZHIYONG

日期 (DATE): 2020.08.17

客户承认 (APPROVED BY CUSTOMER):

签名 (SIGNED): _____ 职务 (TITLE): _____ 日期 (DATE): _____

Add:2/F, Building 6 ,Lihe Industrial Park , No. 1055,Songbai Road,Xili Street ,

Nanshan District, Shenzhen,Guangdong 518055 China

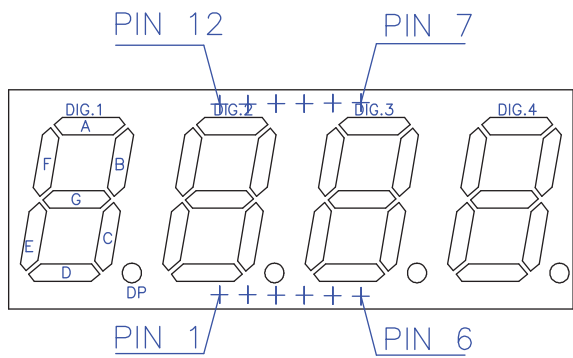
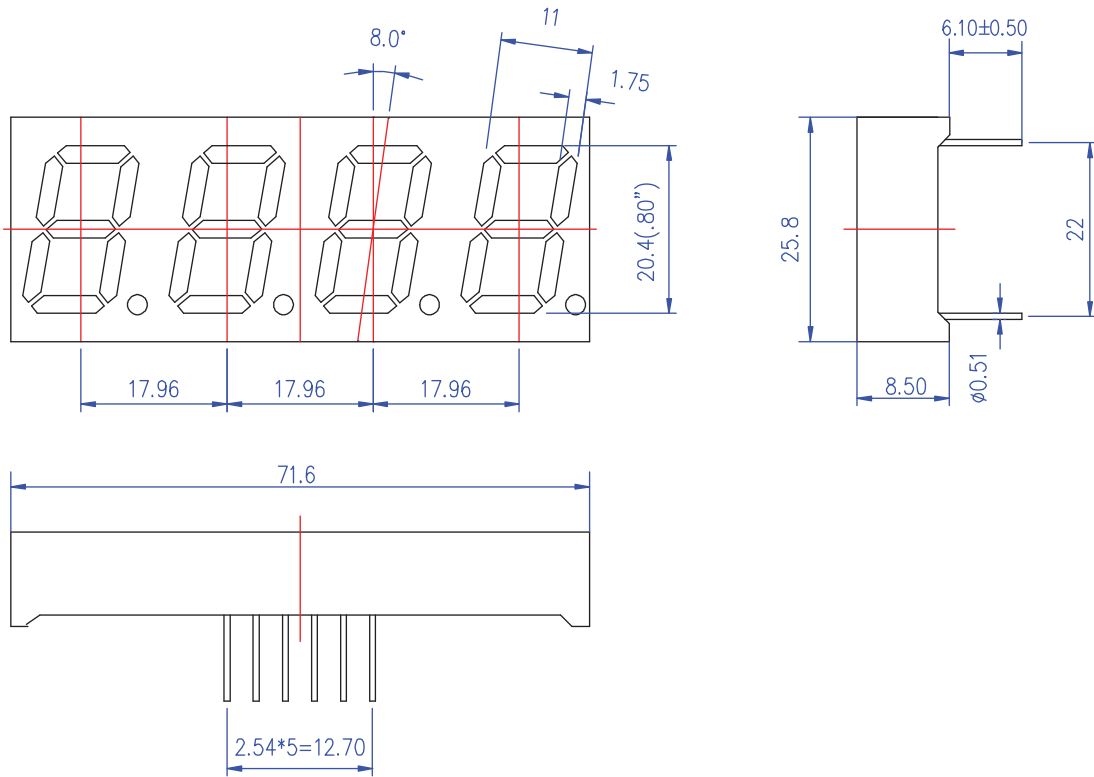
Tel: (86 755)8398 3496

Fax: (86 755)8398 3484

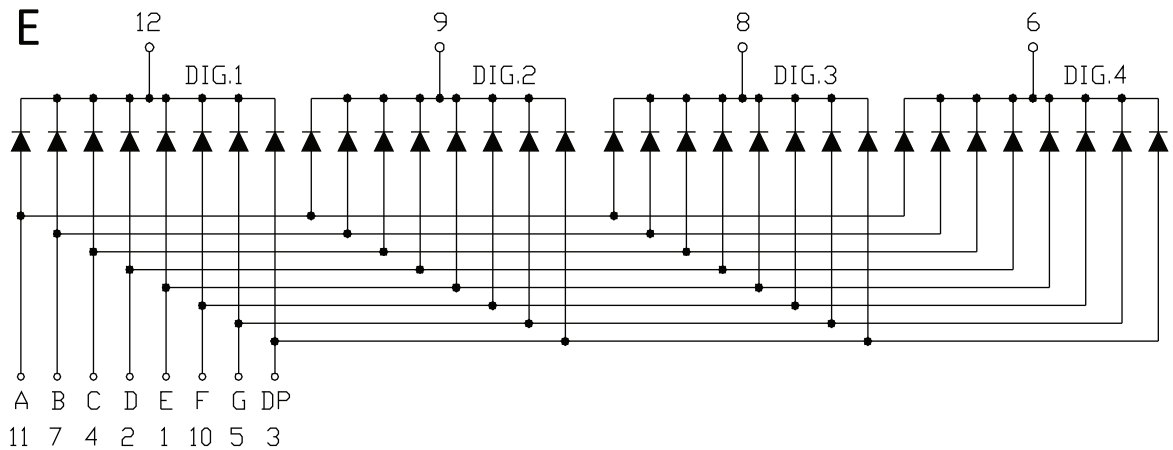
Web: www.lightbo.cn

E-mail: lightbo@lightbo.cn

LB40801



CODE E





深圳光之宝科技有限公司

Shenzhen Guangzhibao Technology Co.,Ltd.

LB40801EWH3B-D 4-Digit 7-Segment LED Display

一 . Characteristics

01. Package Dimensions:71.6*25.7*8.5mm
02. Digit height : 20.4mm(0.8inch)
03. Polarity: Common Cathode
04. Yellow Epoxy Black Surface
05. Emitting colour: Ultra bright white
- 06 . High Luminous Intensity
07. Low current operation
08. Stable performance
09. Continuous uniform segments
10. Easy mounting on PCB
11. IC compatible
12. RoHS Compliant

二 . Absolute Maximum Ratings (Ta = 25°C)

Parameter	Symbol	Ratings	Unit
Forward Current (per led)	I_{PM}	20	mA
Reverse Voltage(per led)	V_R	5	V
Power Dissipation (per led)	P_M	70	mW
Operation Temperature	T_{opr}	-40~+85	°C
Storage Temperature	T_{STg}	-40~+85	°C
Solder Temperature (≤ 3 sec)	T_h	260	°C

Code:WH -Ultra Bright White

Parameter	Symbol	Condition	Min.	Typ.	Max.	Unit
Forward Voltage (Per dice)	Vf	If=20mA	2.8		3.2	V
Reverse Voltage (Per dice)	Vr	Ir=40uA		5		V
Luminous Intensity (Per dice)	Iv	If=10mA	100		120	mcd
Chromaticity Coordinates	X	If=20mA	0.29		0.33	nm
Chromaticity Coordinates	Y	If=20mA	0.29		0.33	nm
Peak Forward Current (Per dice) 1/10 Duty Cycle,0.1ms Pulse	Ifp		100			mA
Operating Temperature Range	Topr		- 35 °C to 85 °C			
Storage Temperature Range	Tstg		- 35 °C to 85 °C			
Solder Temperature 1.5mm below seating plane for 3 Seconds at 260 °C						

Absolute Maximum Rating at Ta=25°C

Fig.1

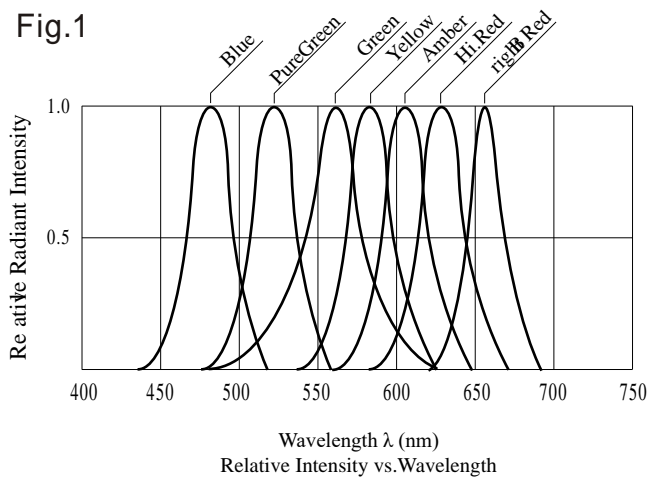


Fig.2

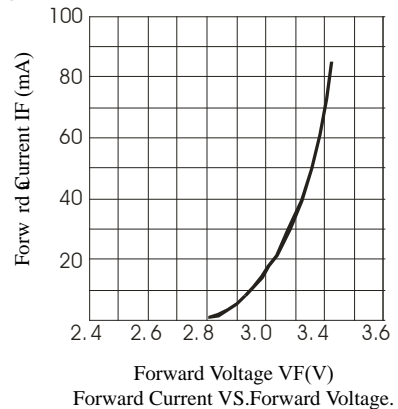


Fig.3

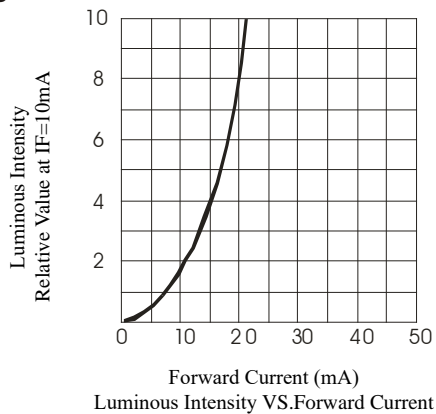


Fig.4

