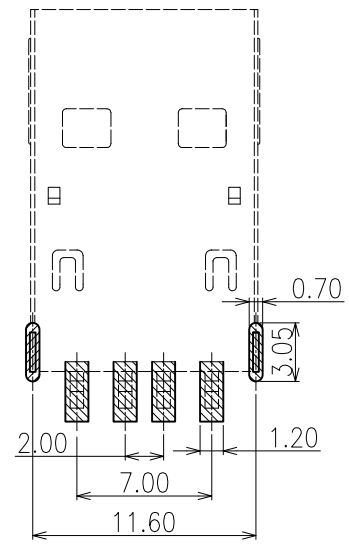
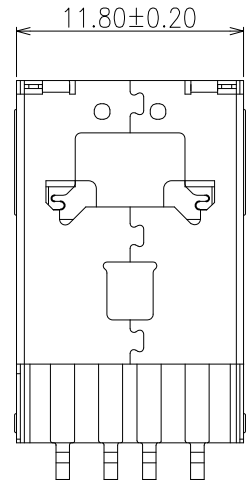
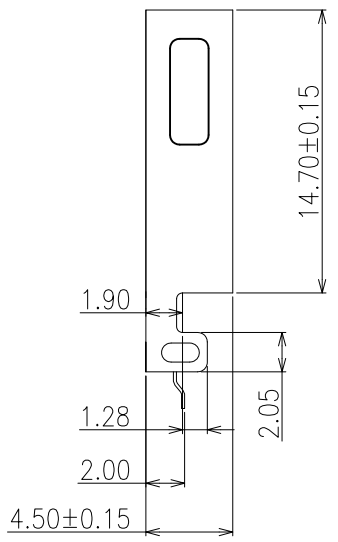
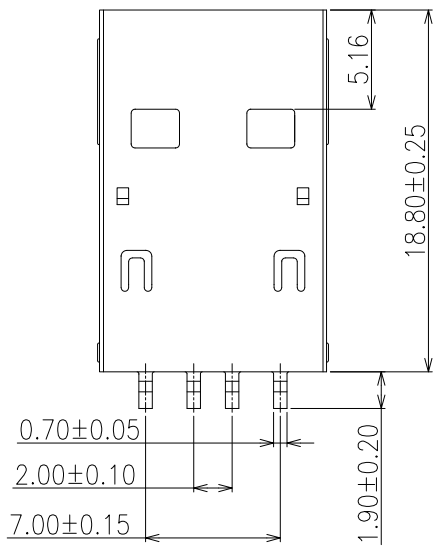


NOTE:

- MATERIAL
HOUSING: GLASS-REINFORCED THERMOPLASTIC UL94V-0
CONTACT: COPPER ALLOY.
SHELL: SPCC OR S50C.
PLATING: GOLD PLATING ON CONTACT AREA
TIN PLATED ON SOLDER TAILS, NICKEL UNDER PLATED ALL OVER.
- ELECTRICAL
CURRENT RATING: 1.5 AMP.
DIELECTRIC WITHSTANDING VOLTAGE: 750V AC MIN.
INSULATION RESISTANCE: $1000M\Omega$ MIN.
CONTACT RESISTANCE: $30m\Omega$ MILLIOHMS MAX.
- ENVIRONMENTAL
TEMPERATURE RANGE: $-25^{\circ}C$ TO $+85^{\circ}C$.
- "O" IS MAJOR DIMENSION FOR QC.



品名規格 (TITLE): USB A 公頭+MICRO USB 公頭二合一
料號 (PART NO): L-KLS1-2235-L

TOLERANCE UNSPECIFIED	
LINEAR	ANGLES
X. ± 0.30	X° \pm
X.X ± 0.20	X.X° \pm
X.XX ± 0.15	X.XX° \pm
REV ± 0.08	X.XXX° \pm

材質 (MATERIAL)		
單位 (UNIT)	MM	日期 (Date)
APPD:		
CHKD:		
DRAW:	張華林	12.02.07

圖號 (DWG NO):		
NINGBO KLS ELECTRONIC CO., LTD		
SCALE	SHEET	REV
1:1	1 OF 1	A

REV	ECN NO.	NAME	DATE