

PRODUCT SPECIFICATION

Model No.: FYL-3014KUGC1A30

| Descriptions: |
|---|
| <ul style="list-style-type: none"> ■ Dice material: AlGaInP. ■ Emitting Color: Super bright Yellow Green. ■ Device Outline: Φ3mm round type. ■ Lens Type: Green diffused. |



| CUSTOMER APPROVED SIGNATURES | APPROVED BY | SALES BY | PREPARED BY |
|------------------------------|-------------|--|---|
| | | <div style="border: 2px solid red; padding: 5px; display: inline-block;"> Foryard S011 2020.08.10 </div> | <div style="border: 2px solid red; border-radius: 50%; padding: 10px; display: inline-block;"> Foryard E005 2020.08.10 </div> |

NINGBO FORYARD OPTOELECTRONICS CO.,LTD.

Add:No. 666 Jinghua Road, Hi-tech Park, Ningbo, Zhejiang, China

Tel: 0086-574-87933652 87927870 87922206

Fax: 0086-574-87927917

E-mail:Sales@foryard.com (General)

Http://www.foryard.com

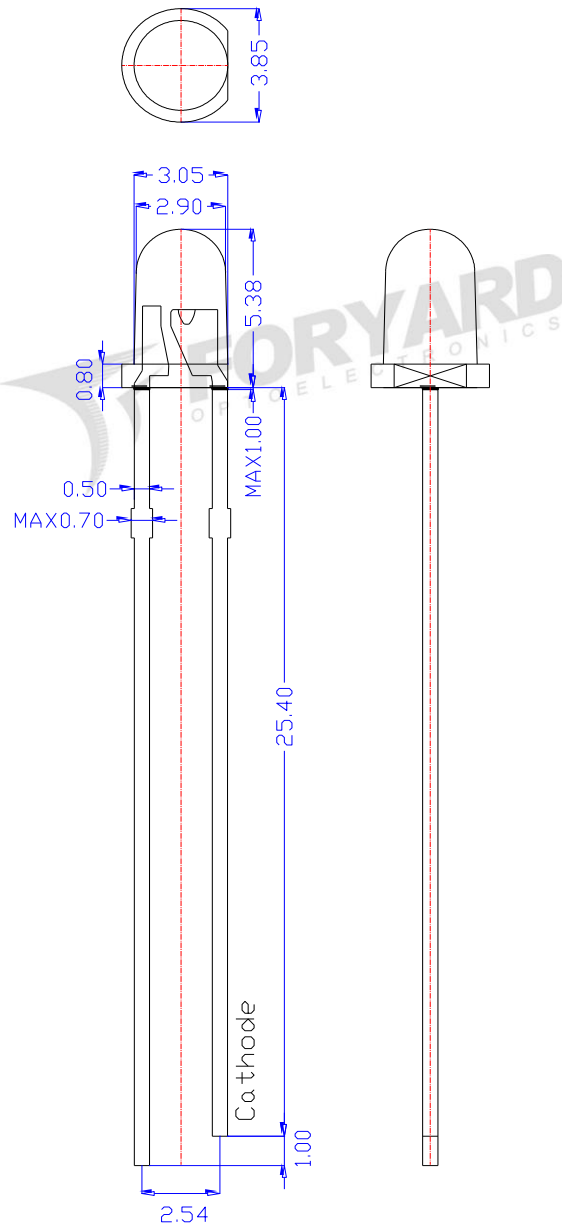
Zip:315103

Model No.: FYL-3014KUGC1A30

■ **Features**

1. Low power consumption.
2. High efficiency.
3. General purpose leads.
4. High intensity.
5. RoHs compliant.

n **Package configuration**



- Notes:
1. All dimensions are millimeters (inches)
 2. Tolerance is $\pm 0.25\text{mm}(.010\text{'})$ unless otherwise noted.
 3. The specifications, characteristics and technical data described in the datasheet are subject to change without prior notice.

Model No.: FYL-3014KUGC1A30

■ **Absolute Maximun Ratings(Ta=25° C)**

| Parameter | MAX. | Unit |
|---|---------------------|-------|
| Power Dissipation | 80 | mW |
| Peak Forward Current (1/10 Duty Cycle, 0.1ms Pulse Width) | 100 | mA |
| Continuous Forward Current | 30 | mA |
| Derating Linear From 50°C | 0.4 | mA/°C |
| Reverse Voltage | 5 | V |
| Operating Temperature Range | -40°C to +85°C | |
| Storage Temperature Range | -40°C to +100°C | |
| Lead Soldering Temperature[4mm(.157") From Body] | 260°C for 5 Seconds | |

■ **Typical Electrical & Optical Charcteristics(Ta=25°C)**

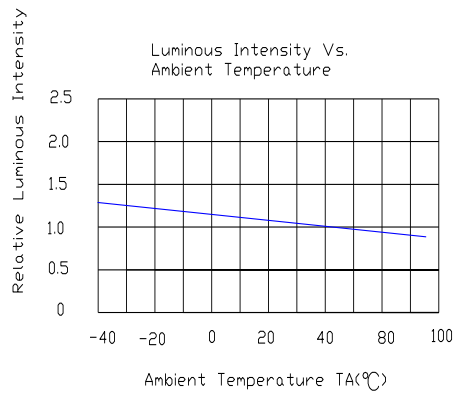
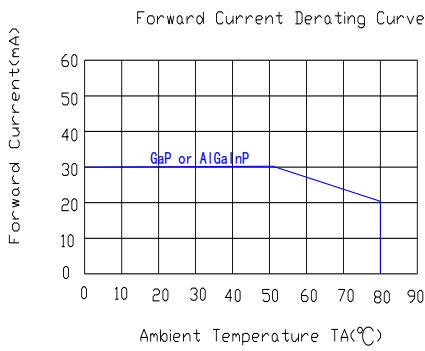
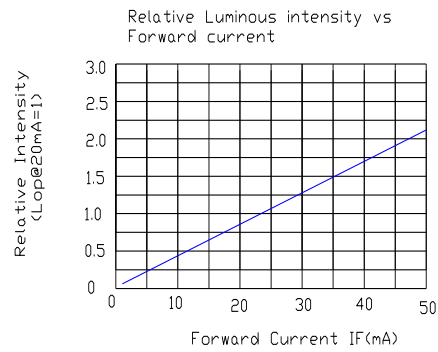
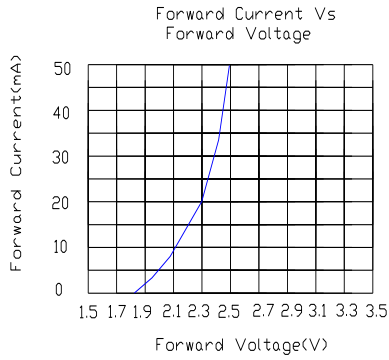
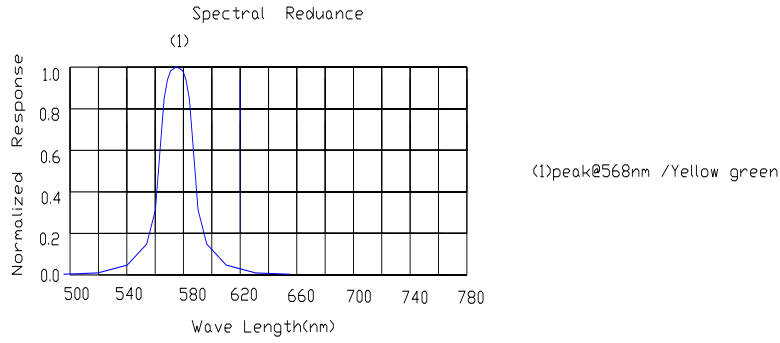
| Parameter | Symbol | Min. | Typ. | Max. | Unit | Test Condition |
|--------------------------|-----------------|------|------|------|---------|----------------|
| Luminous Intensity | I_v | | 600 | - | mcd | IF=20mA |
| Viewing Angle | $2\theta_{1/2}$ | - | 30 | - | Deg | |
| Peak Emission Wavelength | λ_p | | 570 | | nm | |
| Dominant Wavelength | λ_d | 567 | 571 | 573 | nm | |
| Spectral Line Half-Width | λ | - | 20 | - | nm | |
| Forward Voltage | V_F | 1.8 | 2.1 | 2.3 | V | |
| Reverse Current | I_R | | | 10 | μA | VR=5V |

Note:

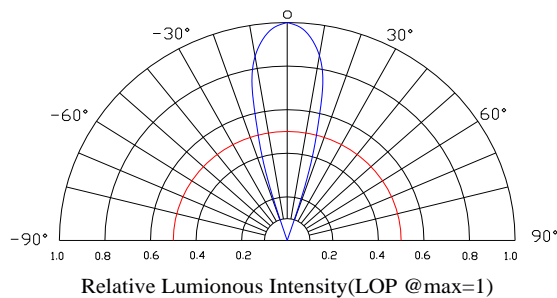
- 1.Luminous Intensity is based on the Foryard standards.
- 2.Pay attention about static for InGaN

Model No.: FYL-3014KUGC1A30

Typical Electrical/Optical Characteristics Curves (Ta=25°C Unless Otherwise Noted)

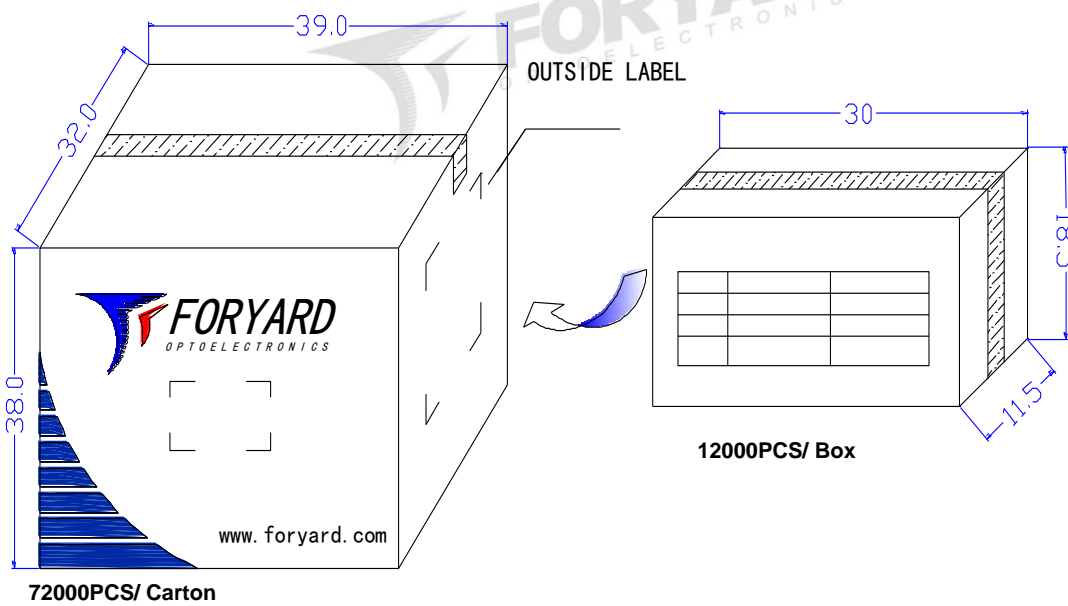
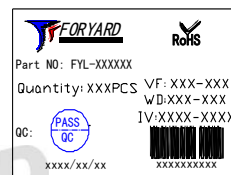
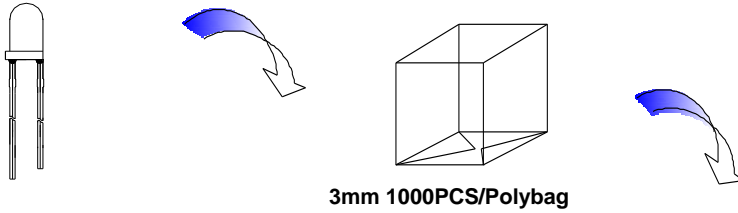


Radiation pattern.



Model No.: FYL-3014KUGC1A30

■ LAMP PACKING.



OUTSIDE LABEL