

SQH6045S SERIES ~ SMD Semi Power Inductors



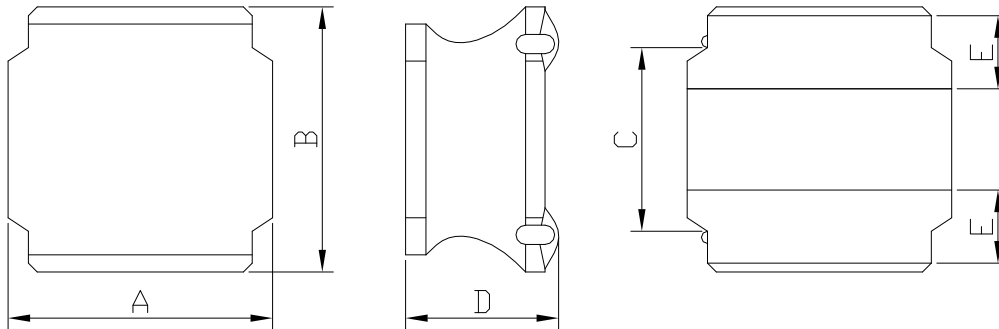
PART NUMBERING SYSTEM

(AEC-Q200)

| | | | | | |
|------------|--------------|----------|-------------|----------|-----------|
| SQH | 6045S | — | 150M | — | LF |
| TYPE | DIMENSIONS | | INDUCTANCE | | LEAD FREE |

SHAPES AND DIMENSIONS

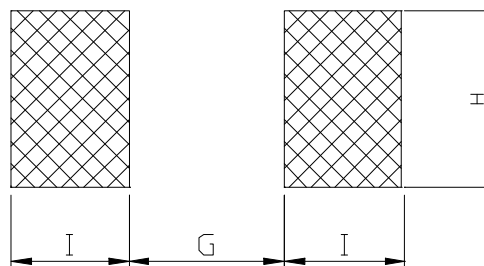
UNIT : mm



A=6.2 Max. B=6.2 Max. C=4.0 Ref. D=4.5 Max. E=1.35±0.2

RECOMMENDED PATTERNS

UNIT : mm



G= 3.10 H= 5.70 I = 1.60

FEATURES

- * Low profile and small inductors (6.2mm Max. square and 4.5mm Max. height)
- * Magnetically shielded construction and high current
- * Ideal for DC-DC converter choke coil for portable equipments (DVDs , DSC , Cellular , PDAs)
- * RoHS compliant option with lead free

SQH6045S SERIES ~ SMD Semi Power Inductors



SPECIFICATION TABLE

(AEC-Q200)

| PART NUMBER | INDUCTANCE (μ H) | DCR (m Ω) (Typ.) | DCR (m Ω) (Max.) | Isat (A) (Max.) | Irms (mA) (Max.) |
|------------------|--------------------------|-----------------------------|-----------------------------|--------------------|---------------------|
| SQH6045S-1R0N-LF | 1.0 \pm 30% | 10.0 | 13.0 | 10.0 | 6.50 |
| SQH6045S-1R3N-LF | 1.3 \pm 30% | 11.0 | 14.3 | 8.60 | 6.00 |
| SQH6045S-1R8N-LF | 1.8 \pm 30% | 12.0 | 15.6 | 7.20 | 5.30 |
| SQH6045S-2R3M-LF | 2.3 \pm 30% | 13.0 | 16.9 | 6.40 | 5.00 |
| SQH6045S-3R0M-LF | 3.0 \pm 30% | 17.0 | 22.1 | 5.80 | 4.80 |
| SQH6045S-3R3M-LF | 3.3 \pm 30% | 17.0 | 22.1 | 5.10 | 4.50 |
| SQH6045S-4R5M-LF | 4.5 \pm 20% | 23.0 | 29.9 | 4.80 | 3.80 |
| SQH6045S-4R7M-LF | 4.7 \pm 20% | 23.0 | 29.9 | 4.70 | 3.70 |
| SQH6045S-6R3M-LF | 6.3 \pm 20% | 26.0 | 33.8 | 3.90 | 3.60 |
| SQH6045S-6R8M-LF | 6.8 \pm 20% | 34.0 | 44.2 | 3.80 | 3.50 |
| SQH6045S-8R2M-LF | 8.2 \pm 20% | 41.0 | 53.3 | 3.20 | 3.10 |
| SQH6045S-100M-LF | 10 \pm 20% | 45.0 | 58.5 | 3.10 | 3.00 |
| SQH6045S-150M-LF | 15 \pm 20% | 80.0 | 104.0 | 2.50 | 2.50 |
| SQH6045S-220M-LF | 22 \pm 20% | 112 | 145.6 | 2.10 | 2.10 |
| SQH6045S-330M-LF | 33 \pm 20% | 170 | 221.0 | 1.70 | 1.70 |
| SQH6045S-470M-LF | 47 \pm 20% | 210 | 273.0 | 1.40 | 1.40 |
| SQH6045S-560M-LF | 56 \pm 20% | 270 | 351.0 | 1.20 | 1.20 |
| SQH6045S-680M-LF | 68 \pm 20% | 325 | 422.5 | 1.10 | 1.10 |
| SQH6045S-101M-LF | 100 \pm 20% | 460 | 598.0 | 0.90 | 0.90 |
| SQH6045S-221M-LF | 220 \pm 20% | 920 | 1100 | 0.85 | 0.59 |
| SQH6045S-331M-LF | 330 \pm 20% | 1540 | 2000 | 0.57 | 0.51 |
| SQH6045S-102M-LF | 1000 \pm 20% | 4450 | 5850 | 0.30 | 0.30 |

- Test frequency at 100KHz 1V .
- Isat : DC current at which the inductance drops 30%(typ) from its value without current.
- Irms : The temperature rise current value is the DC current value having temperature increase up 40°C temperature rise from 25°C ambient.
- Operating temperature range -40°C to +125°C , Electrical specifications at 25°C .



SQH6045S SERIES ~ SMD Semi Power Inductors



SPECIFICATION TABLE

(AEC-Q200)

