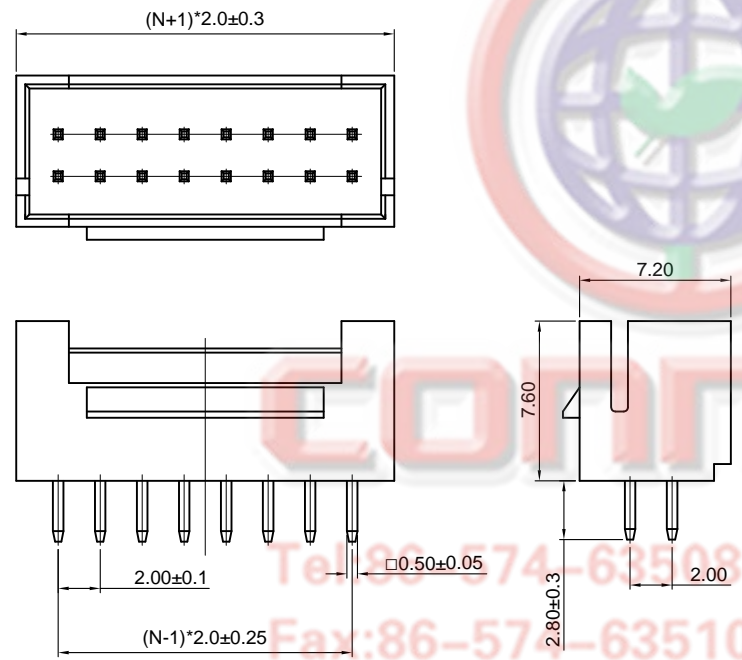
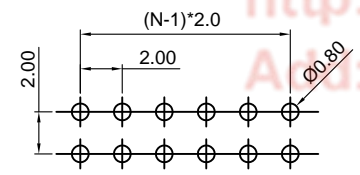


The information provided herein is from CONNFLY Electronic Co., Ltd. and is confidential. Any disclosure to a party other than the recipient is prohibited. The intellectual properties and its rights contained herein, including but not limited to, trademarks, patents, copyrights, trade secrets, and technical know-how, are owned exclusively by CONNFLY or its affiliates. Unauthorized use or reproduction of any part of this document is strictly prohibited. CONNFLY may enforce its intellectual property rights at its own discretion, failures or delays to exercise such rights does not constitute a waiver of such rights.

| REV. | DESCRIPTION | DRAWN | CHECKED | APPROVED |
|------|----------------|---------------|---------------|---------------|
| A | NEW RELEASE | JLZ 07/27/16' | HZW 07/27/16' | LJC 07/27/16' |
| B | DRAWING UPDATE | JLZ 08/09/18' | | |
| | | | | |



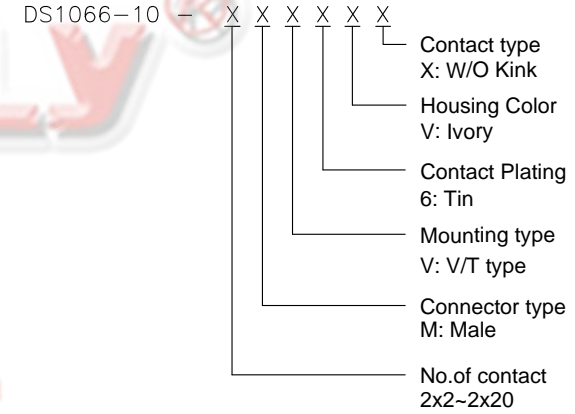
N=No.of contact/2



NOTES:

1. MAIN SPECIFICATIONS
 - . Housing material: NYLON 66
 - . Contact material: Copper Alloy
 - . Rated voltage: 125V
 - . Rated current: 2.0A
 - . Contact resistance: 30mΩ Max
 - . Insulation resistance: 1000MΩ Min
 - . Withstanding voltage: 500V,AC 1 minute
 - . Temperature range: -25 ~ +85°C
 - . Recommend PC board thickness:1.6mm

2. PRODUCT NUMBER CODE:



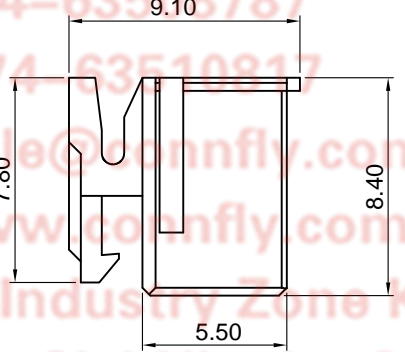
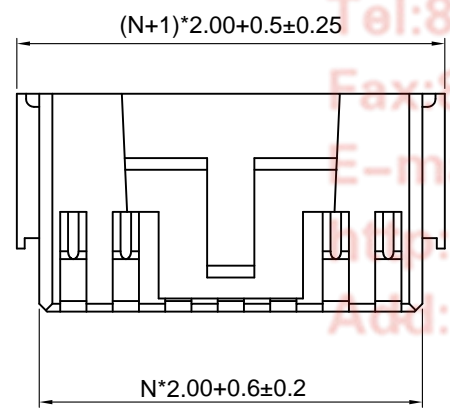
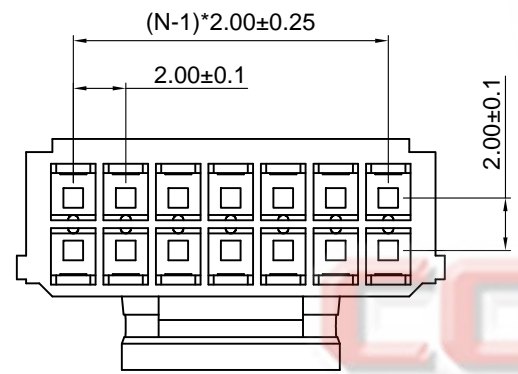
Tel:86-574-63508787
 Fax:86-574-63510817
 E-mail:sale@connfly.com
 http://www.connfly.com
 Add:East Industry Zone KuangYan
 Town Cixi Ningbo China
 P.C:315333

| | | | | | | | | |
|-------------------|-------|----------------------|--------|--|----|--------|--------------------------|--|
| GENERAL TOLERANCE | | ANGLE TOLERANCE | | PROJECTION | | TITLE | 2.0mm Wafer PHB V/T TYPE | |
| X. | ±0.60 | X. | ±5° | UNITS | mm | | | |
| .X | ±0.38 | .X | ±3° | SHEET SIZE | A4 | SERIES | DS1066-10 SERIES | |
| .XX | ±0.25 | .XX | ±2° | 晨翔电子有限公司 CONNFLY CONNFLY ELECTRONIC CO. LTD | | | | |
| DRAWING TYPE | | CUSTOMER | | | | | | |
| SCALE | 1:1 | SHEET | 1 OF 3 | | | | | |
| DRAWING NO. | | C-DS1066-10-XXXXXX-B | | | | | | |

| | |
|------|-----|
| Dept | Qty |
| DC | 1 |
| ED | 1 |
| IE | 1 |
| ISO | 1 |
| PD | 1 |
| R&D | 1 |
| SD | 1 |
| QA | 1 |
| QC | 1 |
| QF | 1 |

The information provided herein is from CONNFLY Electronic Co., Ltd. and is confidential. Any disclosure to a party other than the recipient is prohibited. The intellectual properties and its rights contained herein, including but not limited to, trademarks, patents, copyrights, trade secrets, and technical know-how, are owned exclusively by CONNFLY or its affiliates. Unauthorized use or reproduction of any part of this document is strictly prohibited. CONNFLY may enforce its intellectual property rights at its own discretion, failures or delays to exercise such rights does not constitute a waiver of such rights.

| REV. | DESCRIPTION | DRAWN | CHECKED | APPROVED |
|------|----------------|---------------|---------------|---------------|
| A | NEW RELEASE | JLZ 07/27/16' | HZW 07/27/16' | LJC 07/27/16' |
| B | DRAWING UPDATE | JLZ 08/09/18' | | |
| | | | | |



N=No.of contact/2

NOTES:

1. MAIN SPECIFICATIONS

- Contact material: Copper Alloy
- Rated voltage: 125V
- Rated current: 2.0A
- Contact resistance: 30mΩ Max
- Insulation resistance: 1000MΩ Min
- Withstanding voltage: 500V,AC 1 minute
- Temperature range: -25 ~ +85°C

2. PRODUCT NUMBER CODE:

I- DS1066-10 - S C W 0 X

No.of contact
04:2x4
20:2x20

Housing Color
W:White

Tel:86-574-63508787
Fax:86-574-63510817
E-mail:sale@connfly.com
http://www.connfly.com
Add:East Industry Zone KuangYan
Town Cixi Ningbo China
P.C:315333

| | | | |
|-------------------|-------|----------------------|--------------|
| GENERAL TOLERANCE | | ANGLE TOLERANCE | |
| X. | ±0.60 | X. | ±5° |
| .X | ±0.38 | .X | ±3° |
| .XX | ±0.25 | .XX | ±2° |
| DRAWING TYPE | | CUSTOMER | |
| SCALE | | 1:1 | SHEET 2 OF 3 |
| DRAWING NO. | | C-DS1066-10-XXXXXX-B | |

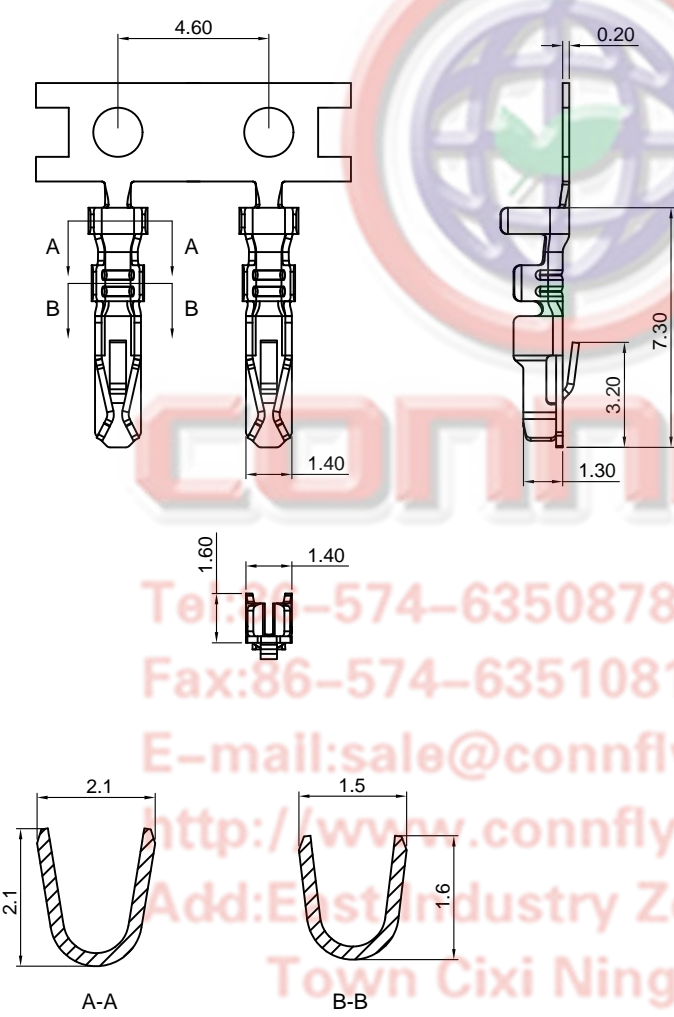
| | | | |
|------------|----|--------|------------------------|
| PROJECTION | | TITLE | 2.0mm Housing PHB TYPE |
| UNITS | mm | | |
| SHEET SIZE | A4 | SERIES | DS1066-10 SERIES |

晨翔电子有限公司
CONNFLY CONNFLY ELECTRONIC CO. LTD

| | |
|------|---|
| Dept | |
| Qty | |
| DC | 1 |
| ED | 1 |
| IE | 1 |
| ISO | 1 |
| PD | 1 |
| R&D | 1 |
| SD | 1 |
| QA | 1 |
| QC | 1 |
| QE | 1 |

The information provided herein is from CONNFLY Electronic Co., Ltd. and is confidential. Any disclosure to a party other than the recipient is prohibited. The intellectual properties and its rights contained herein, including but not limited to, trademarks, patents, copyrights, trade secrets, and technical know-how, are owned exclusively by CONNFLY or its affiliates. Unauthorized use of the information herein, including but not limited to, reproduction, distribution, or disclosure to any third party, is strictly prohibited. CONNFLY may enforce its intellectual property rights at its own discretion, failures or delays to exercise such rights does not constitute a waiver of such rights.

| REV. | DESCRIPTION | DRAWN | CHECKED | APPROVED |
|------|----------------|---------------|---------------|---------------|
| A | NEW RELEASE | JLZ 07/27/16' | HZW 07/27/16' | LJC 07/27/16' |
| B | DRAWING UPDATE | JLZ 08/09/18' | | |
| | | | | |
| | | | | |



NOTES:

1. MAIN SPECIFICATIONS

- . Housing material: Copper Alloy
- . Rated voltage: 125V
- . Rated current: 2.0A
- . Contact resistance: 30mΩ Max
- . Insulation resistance: 1000MΩ Min
- . Withstanding voltage: 500V, AC 1 minute
- . Temperature range: -25 ~ +85°C

2. PRODUCT NUMBER CODE:

T- DS1066-10 - S C 6 0 0

Plating type
6: Tin

Tel: 86-574-63508787
 Fax: 86-574-63510817
 E-mail: sale@connfly.com
 http://www.connfly.com
 Add: East Industry Zone KuangYan
 Town Cixi Ningbo China
 P.C: 315333

| | | | | | | | | |
|-------------------|-------|----------------------|--------|--|----|--------|-------------------------|--|
| GENERAL TOLERANCE | | ANGLE TOLERANCE | | PROJECTION | | TITLE | 2.0mm Terminal PHB TYPE | |
| X. | ±0.60 | X. | ±5° | UNITS | mm | | | |
| .X | ±0.38 | .X | ±3° | SHEET SIZE | A4 | SERIES | DS1066-10 SERIES | |
| .XX | ±0.25 | .XX | ±2° | 晨翔电子有限公司 CONNFLY CONNFLY ELECTRONIC CO. LTD | | | | |
| DRAWING TYPE | | CUSTOMER | | | | | | |
| SCALE | 1:1 | SHEET | 3 OF 3 | | | | | |
| DRAWING NO. | | C-DS1066-10-XXXXXX-B | | | | | | |