

## 规格书 SPECIFICATION

P2/5

MODEL NO.	L-KLS3-57*16-R8W0.5	UPDATE	00	ISSUED DATE	2020-7-10
-----------	---------------------	--------	----	-------------	-----------

**1. 范围 SCOPE**

此规格涵盖了我们的所有电话用动圈式扬声器产品.

This specification covers our product of dynamic speaker unit for mobile telephone use.

**2. 外形、尺寸 MECHANICAL LAYOUT & DIMENSIONS**

示意图 3 Shown in Fig.3

**3. 常规要求 GENERAL REQUIREMENTS**

**3.1 工作温度 OPERATING TEMPERATURE RANGE:** -20°C ~ +55°C

**3.2 测试条件 STANDARD TEST CONDITIONS:**

温度 Temperature:	17~25°C
湿度 Relative Humidity:	45%~80%(RH)
大气压力 Air Pressure:	860~1060 hPa

**3.3 判断条件 JUDGEMENT CONDITIONS:**

温度 Temperature:	°C	20±2
湿度 Relative Humidity:		60%~70%(RH)
大气压力 Air Pressure:		860~1060 hPa

**4. 电声特性 ELECTROACOUSTIC CHARACTERISTIC**

**4.1 声压级 SOUND PRESSURE LEVEL**

91±3dB SPL @0.8,1.0,1.2and1.5KHz in average (0dB SPL=20 μ Pa)

Measuring condition: 0.1W (Sine wave) 0.1m measured with baffler shown in Fig.1.

**4.2 阻抗 IMPEDANCE:** 8±15%Ω (@2KHz 1V) without baffler.

**4.3 测试示意图 MEASURING DIAGRAM:** Shown in Fig.1

**4.4 曲线图 TYPICAL FREQUENCY RESPONSE CURVE:** Shown in Fig.2.

**4.5 额定功率 RATED SINE POWER:0.5W. 最大功率 MAX SINE POWER:1.0W.**

**4.6 谐振频率 RESONANCE FREQUENCY (F<sub>0</sub>):**400±20%Hz @ 1V. (Without Baffler)

**4.7 谐波失真 RATED TOTAL HARMONIC DISTORTION:**Less than 5% @ 1KHz,0.5W

**4.8 纯音检听 AUDIBLE NOISE:** Must be free audible noise (buzzes and rattles) (300Hz-5KHz frequency range input level up to 1.41Vrms)

# 规格书 SPECIFICATION

P3/5

MODEL NO.	L-KLS3-57*16-R8W0.5	UPDATE	00	ISSUED DATE	2020-7-10
-----------	---------------------	--------	----	-------------	-----------

频率曲线测试示意图 ■ **FREQUENCY MEASURING DIAGRAM (Fig.1)**

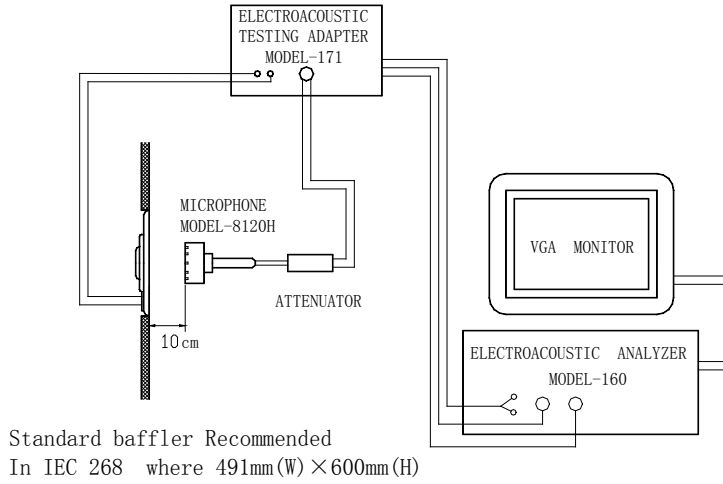


Fig.1 Illustration of measuring diagram

■ **TYPICAL FREQUENCY RESPONSE CURVE (Fig.2)**

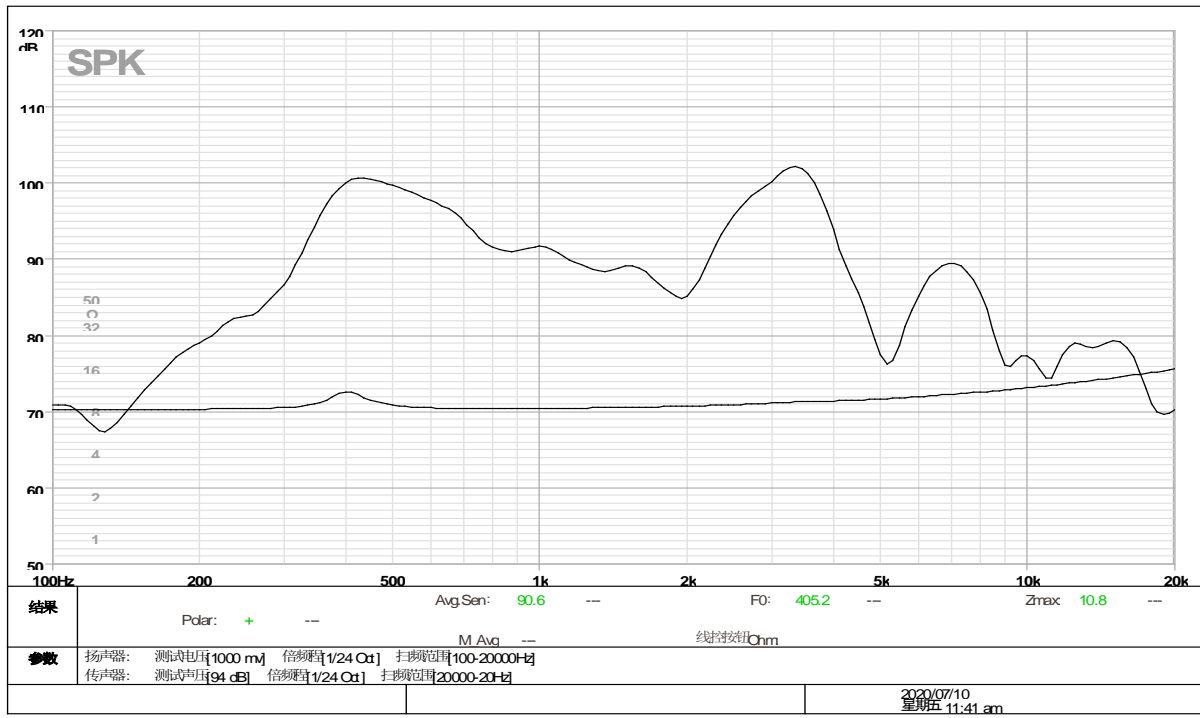


Fig.2 Typical frequency response curve

<b>SPECIFICATION</b>						<b>P4/5</b>
MODEL NO.	L-KLS3-57*16-R8W0.5	UPDATE	00	ISSUED DATE	2020-7-10	
<b>5. 可靠性试验 RELIABILITY TESTS</b> <b>The sound pressure as specified shall neither deviate more than <math>\pm 3\text{dB}</math> from the initial value, nor any significant damage after any of following testing.</b>						
<b>5.1 高温试验 HIGH TEMPERATURE TEST</b> High temperature: <b>+55<math>\pm</math>2<math>^{\circ}\text{C}</math></b> Duration: <b>24 hours</b>						
<b>5.2 低温试验 LOW TEMPERATURE TEST</b> Low temperature : <b>-20<math>\pm</math>2<math>^{\circ}\text{C}</math></b> Duration: <b>24 hours</b>						
<b>5.3 湿度试验 HUMIDITY TEST</b> Temperature: <b>+40<math>\pm</math>2<math>^{\circ}\text{C}</math></b> Relative humidity: <b>90~95%</b> Duration: <b>24 hours</b>						
<b>5.4 跌落试验 DROP TEST</b> Mounted with dummy set mass: <b>100 g</b> Height: <b>1 m</b> Cycle: <b>6 (1 each plain)</b> <b>onto the concrete board</b>						
<b>5.5 负荷试验 LOAD TEST</b>  Subject samples to White noise (EIA filter) for <b>96 hours @0.25W</b> input power.						

规格书 SPECIFICATION

P5/5

MODEL NO.	L-KLS3-57*16-R8W0.5	UPDATE	00	ISSUED DATE	2020-7-10
-----------	---------------------	--------	----	-------------	-----------

**DIMENSIONS (Fig.3)**

Unless otherwise specified, tolerance:  $\pm 0.20$  (unit: mm)

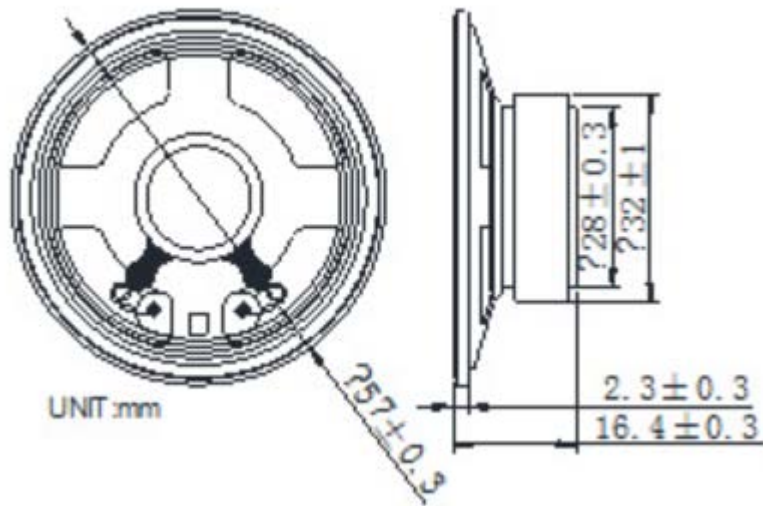


Fig.3 Outer dimension

**Table Of Materials**

NO	零件名称	材料	规格	数量	备注	
1	压边					
2	膜片					
3	磁钢					
4	华司					
5	音圈					
6	支架					
7	T 铁					
8	防尘网					
9	线路板					
10	焊锡丝	Lead free soldering				