

# Mini Microphone

## Omni-direction mini microphone MM6027P Serie

### Specifications:

Sensitivity(1KHz,0dB=1V/Pa): -38±3dB ; -40±3dB ; -42±3dB ; -44±3dB

Directivity: Omnidirectional

Impedance: 2.2KΩ Max.

Current consumption: 0.5mA Max.

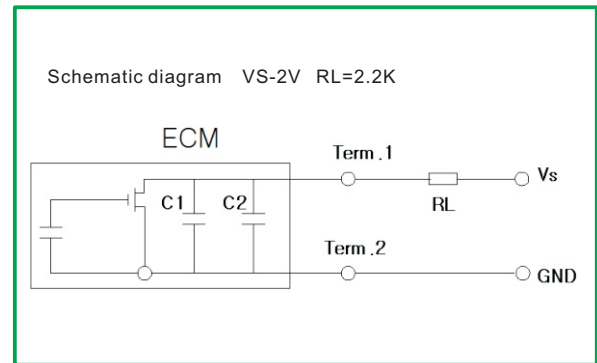
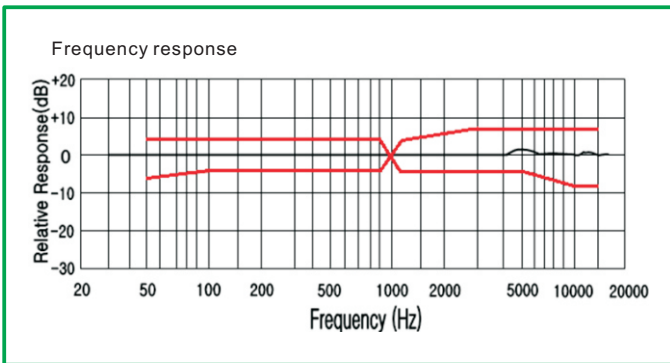
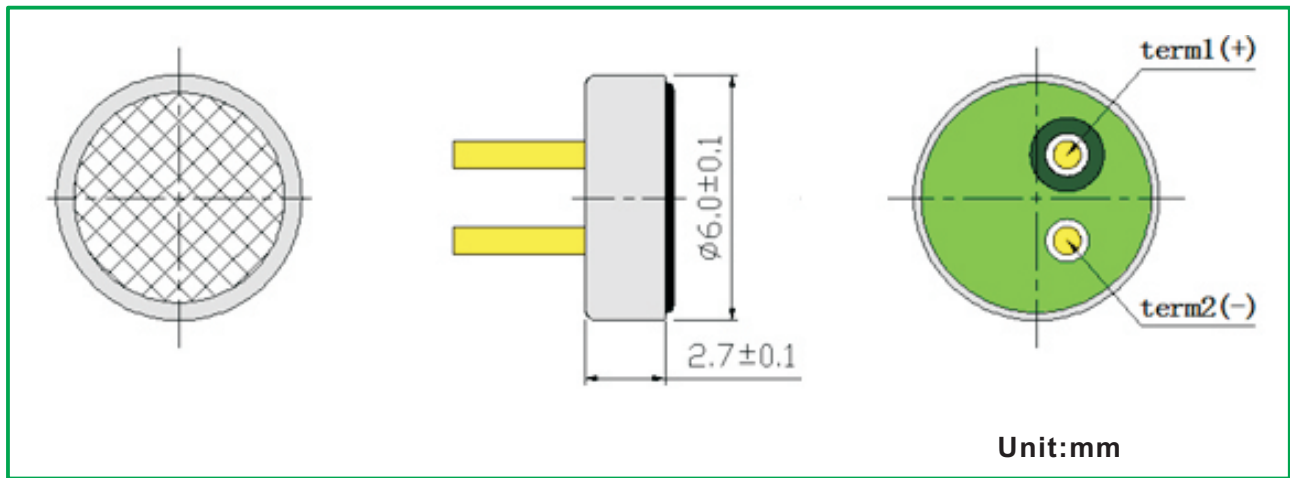
Operation voltage: 1.0~10V

S/N ratio: 60dB Min.

Sensitivity vs. Voltage: 3dB Max. at VS=2.0V~1.5V

Std. Test Condition: 94dB S.P.L @1KHz VS=2.0V

Frequency: 20~16,000Hz



### ORDER INFORMATION

Product NO.: **KLS3 - MM 6027P P - 443**

