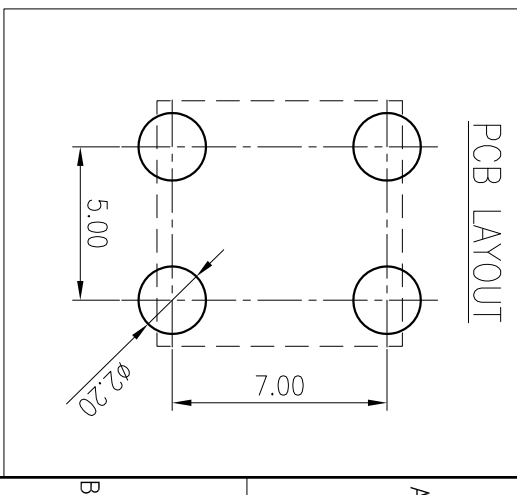


公差/General Tolerances(mm)		0.1/10
0	>3	>500
~	>6	>400
3	~	>315
6	~	>250
10	~	>180
18	~	>120
30	~	>80
50	~	>50
80	~	>30
120	~	>18
180	~	>10
250	~	>6
315	~	>3
400	~	~
500	~	~
~	~	~
±0.12	±0.18	±0.22
±0.26	±0.31	±0.37
±0.40	±0.45	±0.50
±0.80	±1.05	±1.50
±1.60	±2.20	±2.50
±2	±2	±2



1	Pin Header	Copper alloy	M4 Solderable-M Plated
ITEM	NAME OF PART	MATERIAL	NOTES
45	额定电流/Current(A)		
	额定扭矩/Torque Tightening(N·m/Lbin)		M4, 2.0/17.54
	符合RoHS环保要求/Conform to RoHS		Yes

MATERIAL:	SURFACE COLOR:	表面处理
MAT NO.REV:	MAT STATUS:	批量

APPD:	/	NAME:	K93-01A(H)		
CHKD:	ZYH	00			
DRAFT:	SYT	02302209	DRAWING NO.	TYPE	DRAWING STATUS
	A4	000		CUSTOMER DRAWING	SCALE
	1/100	1/100			1:1
	1/100	1/100			SHEET
					1/1

REV	EON	DESCRIPTION	DRAFT	DATE

1 2 3 4 5 6