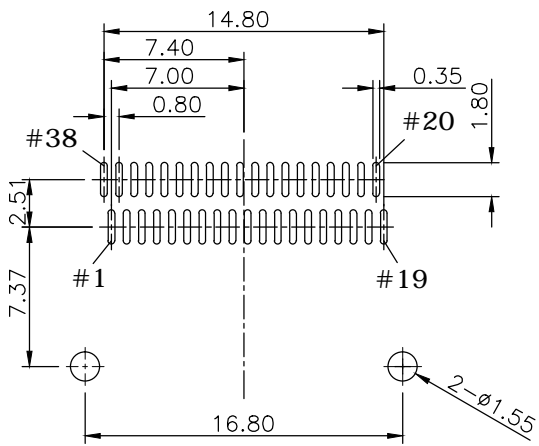
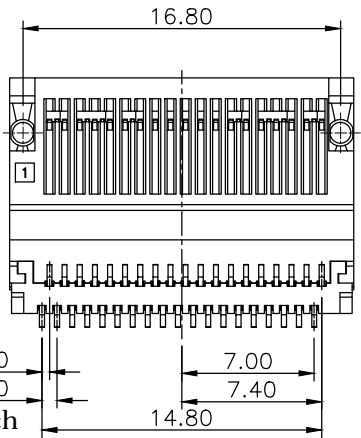
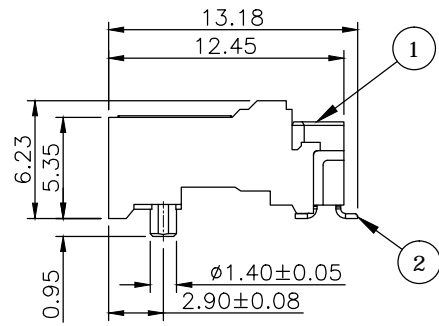
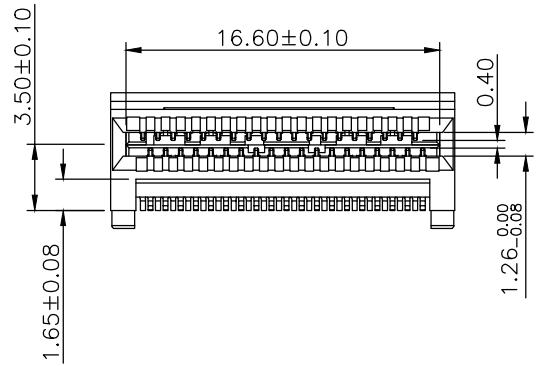
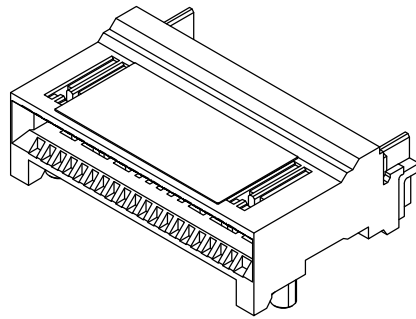
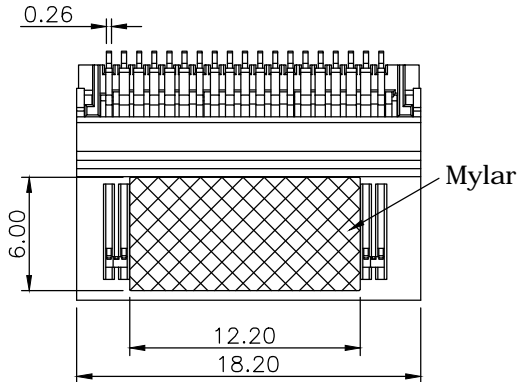


REV.	DESCRIPTION	DRAWN	DATE
1	INITIAL RELEASE	TIM	2020/04/15

SPECIFICATION:

1. ELECTRICAL
 - 1.1 Current Rating: 0.5A max.
 - 1.2 Voltage Rating: 30VDC max.
 - 1.3 Insulation Resistance: 1000MΩ Min
 - 1.4 Dielectric Withstanding Voltage: 300VDC
2. ENVIRONMENTAL
 - 2.1 Operating temperature range: -40°C~+85°C



RECOMMENDED LAYOUT (TOP VIEW)
GENERAL TOLERANCE: ±0.05mm

2	CONTACT	COPPER ALLOY, CONTACT AREA: 30u" GOLD	
		SOLDER AREA: 100u" TIN	
		UNDER PLATED: 50u" NICKEL	
1	HOUSING	THERMOPLASTIC UL94V-0, BLACK	
NO.	PART NAME	DESCRIPTION	
UNLESS OTHERWISE SPECIFIED TOLERANCE			
UNIT:	DECIMAL	LINEAR	ANGLES
mm	X.	±0.50	±5°
	X.X	±0.25	±3°
	X.XX	±0.12	±1°
DRAWN		Tim	2020/04/15
CHECKED		Fros	2020/04/15
APPROVED		Ken	2020/04/15
SCALE		2.5/1	
SHEET		1/2	
SIZE		A4	
DRAWN NAME:		QSF28 Connector, Female, 38 Pin	
PRODUCT NO.		223C-00E1	
FILE NAME		223C-00E1_B_1	



WWW.ATTEND.COM.TW