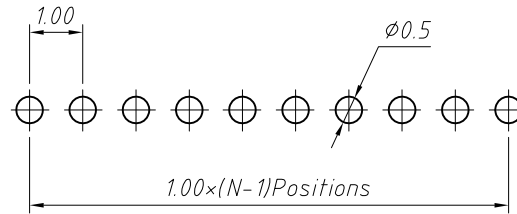
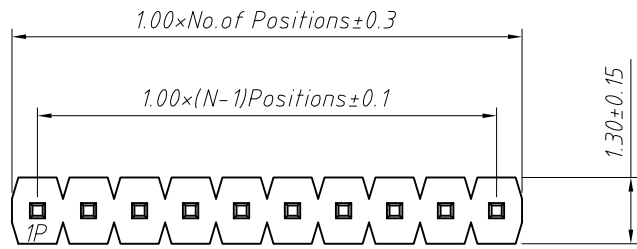


RoHS Compliance

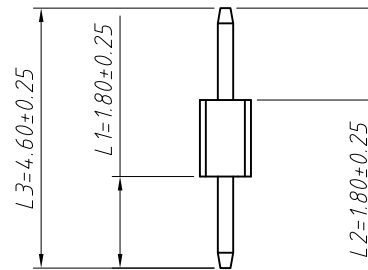
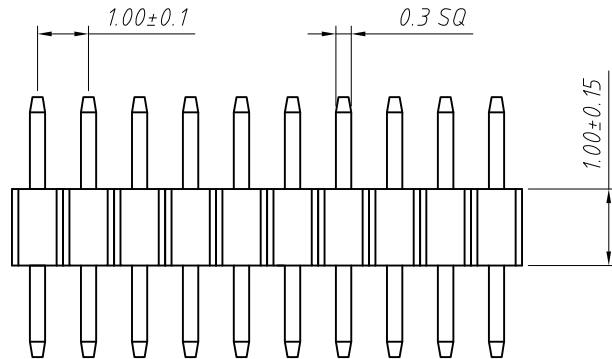


Recommended P.C.B Hole Layout

Material:
Standard: PA6T
Contact: Brass
Insulator: Polyester, UL94V-0

Electrical Characteristics:
Rated Current: 0.75AMP
Contact Resistance: 30mΩ Max
Withstand Voltage: 500V AC/DC
Insulator Resistance: 1000MΩ Min

Mechanical
Operating Temperature: -40°C ~ +105°C
Max. Processing Temp: 230°C for 30-60 seconds
 (260°C for 10 seconds)



Order Information:

L-KLS1-207G-1.00-1-XX-S-L1xL2xL3-G0

L: RoHS
 Pin Header Series
 207G: 1.00mm
 Plastics Height
 1.00, 1.50mm
 Per Row: Single layer
 Pin: No. of Pins (1x50)
 Type: Straight Pin
 Size: L1xL2xL3
 Plating:
 G0=Gold Flash G1=1u" Gold
 G10=10u" Gold G15=15u" Gold
 G30=30u" Gold

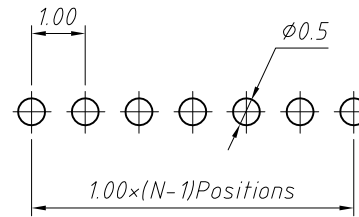
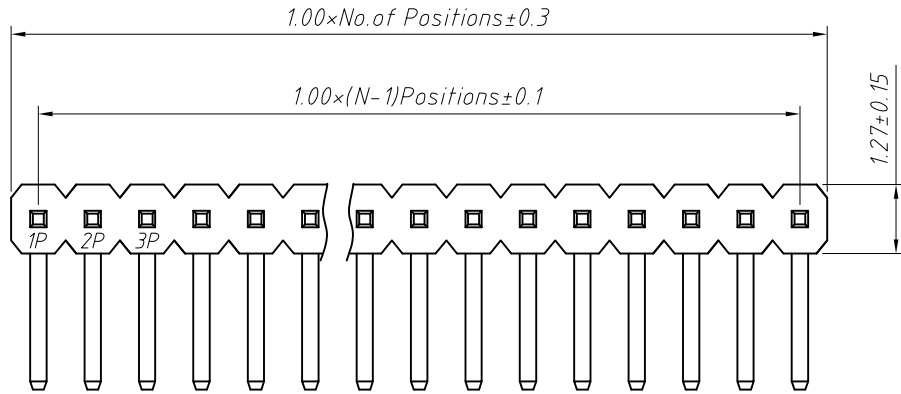
Dimension antitheses list (mm)

| ITEM | L1 | L2 | L3 | Plastic Height |
|-------------|------|------|------|----------------|
| Standard | 1.80 | 1.80 | 4.60 | 1.00 |
| Nonstandard | --- | --- | --- | --- |

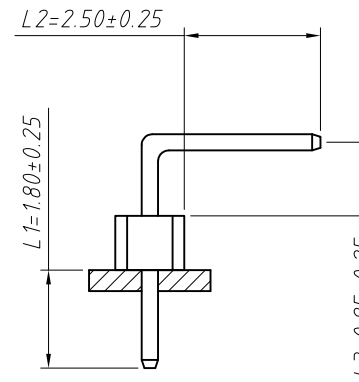
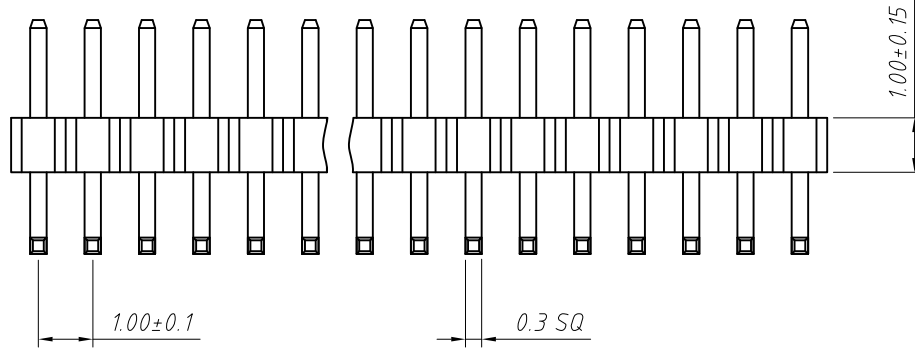
| ANGLE TOLERANCE | PROJECTION | Description: | 1.00mm Pin Header | |
|-------------------|------------|-------------------------------------|-------------------|-------------------------------------|
| ±3° | | Single layer, Straight Pin, 1xN Pin | | |
| GENERAL TOLERANCE | UNITS | mm | KLS P/N: | L-KLS1-207G-1.00-1-XX-S-L1xL2xL3-G0 |
| x.x ±0.30 | SHEET SIZE | A4 | | |
| x.xx ±0.20 | Draw: | Daniel | 2018-07-10 | |
| x.xxx ±0.10 | Check: | Daniel | 2018-07-10 | |

NingBo KLS ELECTRONIC CO., L TD.

1 RoHS Compliance



Recommended P.C.B Hole Layout



R1 Type

Material:
Standard:PA6T
Contact: Brass
Insulator:Polyester,UL94V-0

Electrical Characteristics:
Rated Current: 0.75AMP
Contact Resistance: 20mΩ Max
Withstand Voltage: 500V AC/DC
Insulator Resistance: 1000MΩ Min

Mechanical
Operating Temperature: -40°C ~ +105°C
Max.Processing Temp:230°C for 30-60 seconds
(260°C for 10 seconds)

Order Information:
L-KLS1-207G-1.00-1-XX-R1-L1xL2xL3-G0

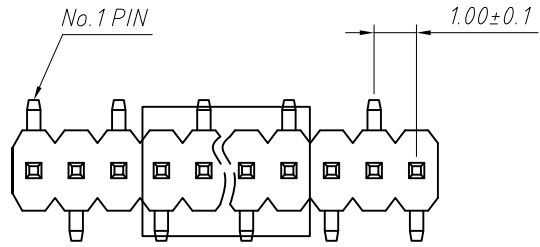
L: RoHS
Pin Header Series
207G: 1.00mm
Plastics Height
1.00, 1.50mm
Per Row: Single layer
Pin: No. of Pins (1x50)
Type: Right Angle Pin
Size: L1xL2xL3
Plating:
G0=Gold Flash G1=1u" Gold
G10=10u" Gold G15=15u" Gold
G30=30u" Gold

Dimension antitheses list (mm)

| ITEM | L1 | L2 | L3 | Plastic Height |
|-------------|------|------|------|----------------|
| Standard | 1.80 | 2.50 | 0.95 | 1.00 |
| Nonstandard | --- | --- | --- | --- |

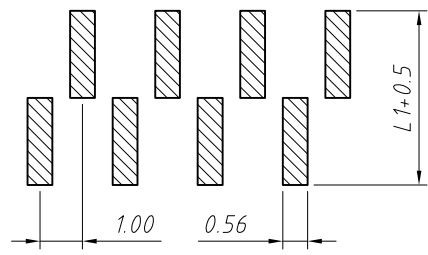
| ANGLE TOLERANCE | PROJECTION | Description: | 1.00mm Pin Header | |
|-------------------|------------|--|-------------------|--------------------------------------|
| ±3° | | Single layer, Right Angle Pin, 1xN Pin | | |
| GENERAL TOLERANCE | UNITS | mm | KLS P/N: | L-KLS1-207G-1.00-1-XX-R1-L1xL2xL3-G0 |
| x.x ±0.30 | SHEET SIZE | A4 | | NingBo KLS ELECTRONIC CO.,LTD. |
| x.xx ±0.20 | Draw: | Daniel | 2018-07-10 | |
| x.xxx ±0.10 | Check: | Daniel | 2018-07-10 | |

1
RoHS Compliance



T2 Type

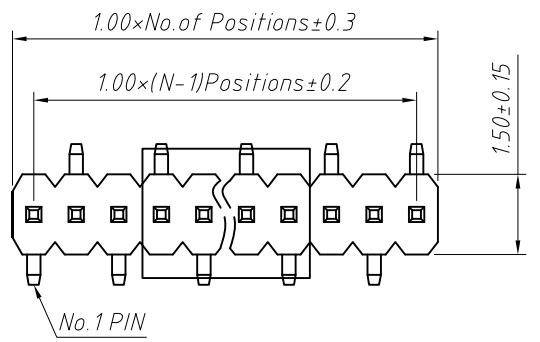
Recommended P.C.B Layout



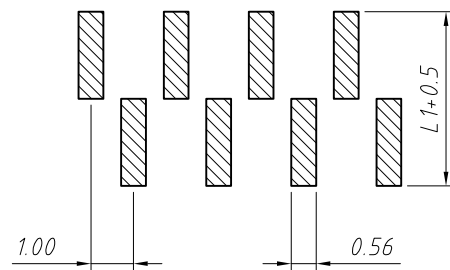
Material:
Standard:PA6T
Contact: Brass
Insulator:Polyester,UL94V-0

Electrical Characteristics:
Rated Current: 0.75AMP
Contact Resistance: 30mΩ Max
Withstand Voltage: 500V AC/DC
Insulator Resistance: 1000MΩ Min

Mechanical
Operating Temperature: -40°C ~ +105°C
Max.Processing Temp:230°C for 30-60 seconds
(260°C for 10 seconds)



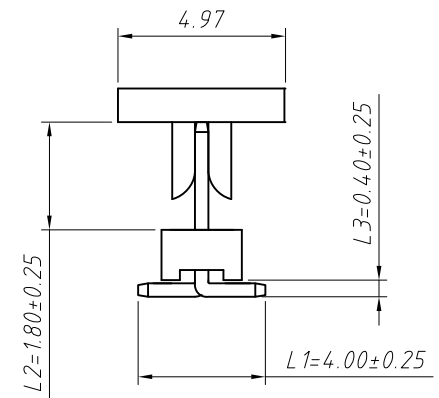
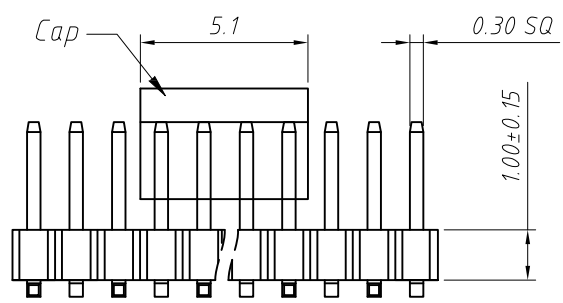
T1 Type



Order Information:

L-KLS1-207G-1.00-1-XX-T1-L1×L2×L3-G0

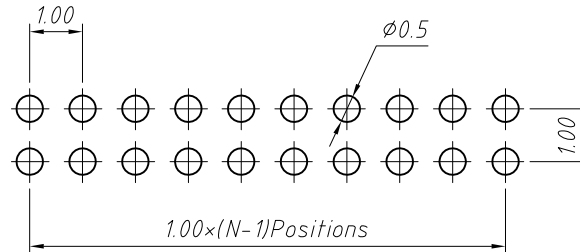
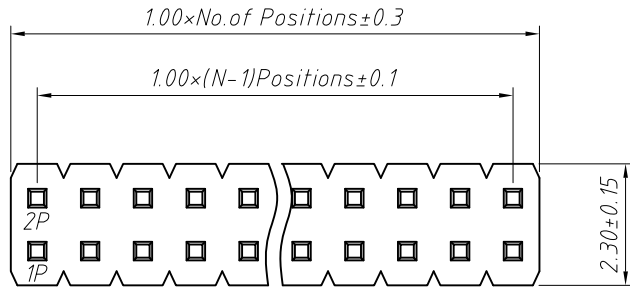
L: RoHS
Pin Header Series
207G:1.00mm
Plastics Height:
1.00, 1.50 mm
Per Row:Single layer
Pin: No. of Pins (1×50)
SMT Pin:T1 Type, T2 Type
Size: L1×L2×L3
Plating:
G0=Gold Flash G1=1u" Gold
G10=10u" Gold G15=15u" Gold
G30=30u" Gold



| Dimension antitheses list (mm) | | | | |
|--------------------------------|------|------|------|----------------|
| ITEM | L1 | L2 | L3 | Plastic Height |
| Standard | 4.00 | 1.80 | 0.40 | 1.00 |
| Nonstandard | --- | --- | --- | --- |

| ANGLE TOLERANCE | PROJECTION | Description: | 1.00mm Pin Header | |
|-------------------|------------|----------------------------|-------------------|--------------------------------------|
| ±3° | | Single layer, SMT, 1xN Pin | | |
| GENERAL TOLERANCE | UNITS | mm | KLS P/N: | L-KLS1-207G-1.00-1-XX-T1-L1×L2×L3-G0 |
| x.x ±0.30 | SHEET SIZE | A4 | | NingBo KLS ELECTRONIC CO.,L TD. |
| x.xx ±0.20 | Draw: | Daniel | 2018-07-10 | |
| x.xxx ±0.10 | Check: | Daniel | 2018-07-10 | |

RoHS Compliance



Recommended P.C.B Hole Layout

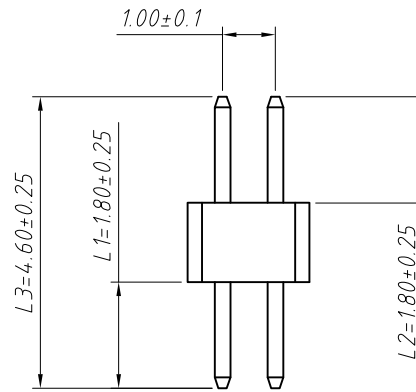
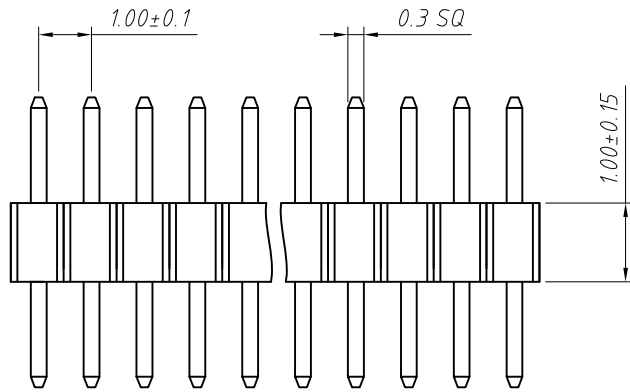
Material:
Standard: PA6T
Contact: Brass
Insulator: Polyester, UL 94V-0

Electrical Characteristics:
Rated Current: 0.75AMP
Contact Resistance: 30mΩ Max
Withstand Voltage: 500V AC/DC
Insulator Resistance: 1000MΩ Min

Mechanical
Operating Temperature: -40°C ~ +105°C
Max. Processing Temp: 230°C for 30-60 seconds
(260°C for 10 seconds)

Order Information:
L-KLS1-207G-1.00-2-XX-S-L1xL2xL3-G0

L: RoHS
Pin Header Series
207G: 1.00mm
Plastics Height
1.00, 1.50mm
Per Row: Double layer
Pin: No. of Pins (2x50)
Type: Straight Pin
Size: L1xL2xL3
Plating:
G0=Gold Flash G1=1u" Gold
G10=10u" Gold G15=15u" Gold
G30=30u" Gold



Dimension antitheses list (mm)

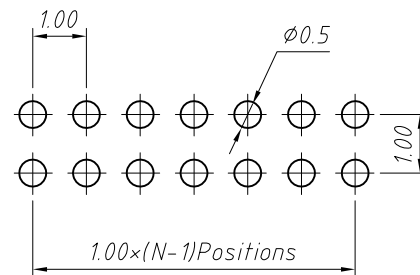
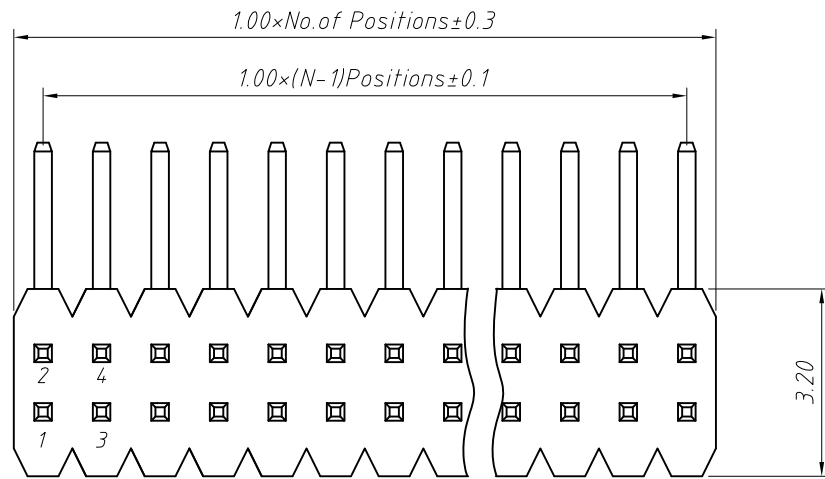
| ITEM | L1 | L2 | L3 | Plastic Height |
|-------------|------|------|------|----------------|
| Standard | 1.80 | 1.80 | 4.60 | 1.00 |
| Nonstandard | --- | --- | --- | --- |

| ANGLE TOLERANCE | PROJECTION | Description: |
|-------------------|------------|--|
| ±3° | | 1.00mm Pin Header Double layer, Straight Pin, 2xN Pin |
| GENERAL TOLERANCE | UNITS | mm |
| x.x ±0.30 | SHEET SIZE | A4 |
| x.xx ±0.20 | Draw: | Daniel 2018-07-10 |
| x.xxx ±0.10 | Check: | Daniel 2018-07-10 |



NingBo KLS ELECTRONIC CO.,L TD.

RoHS Compliance

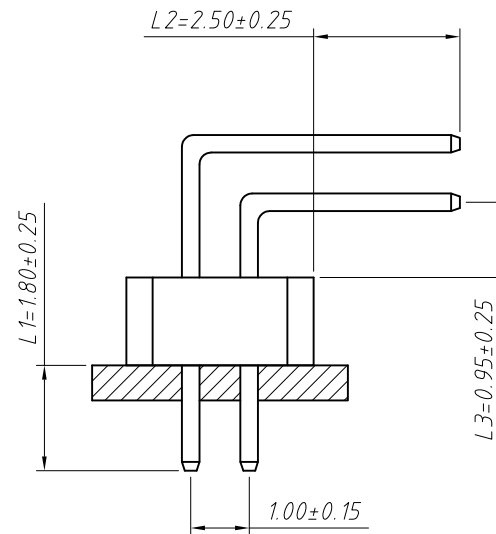
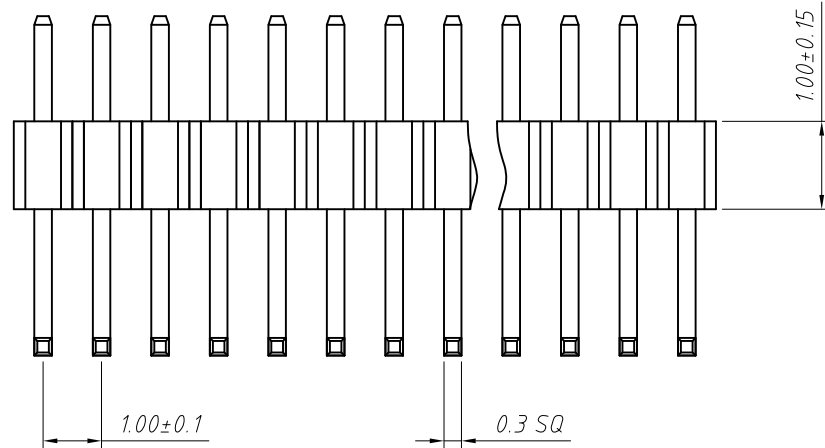


Recommended P.C.B Hole Layout

Material:
Standard: PA6T
Contact: Brass
Insulator: Polyester, UL94V-0

Electrical Characteristics:
Rated Current: 0.75AMP
Contact Resistance: 20mΩ Max
Withstand Voltage: 500V AC/DC
Insulator Resistance: 1000MΩ Min

Mechanical
Operating Temperature: -40°C ~ +105°C
Max. Processing Temp: 230°C for 30-60 seconds
(260°C for 10 seconds)



R2 Type

Order Information:
L-KLS1-207G-1.00-2-XX-R2-L1xL2xL3-G0

L: RoHS
Pin Header Series
207G: 1.00mm
Plastics Height
1.00, 1.50mm
Per Row: Double layer
Pin: No. of Pins (2x50)
Type: Right Angle Pin
Size: L1xL2xL3
Plating:
G0=Gold Flash G1=1u" Gold
G10=10u" Gold G15=15u" Gold
G30=30u" Gold

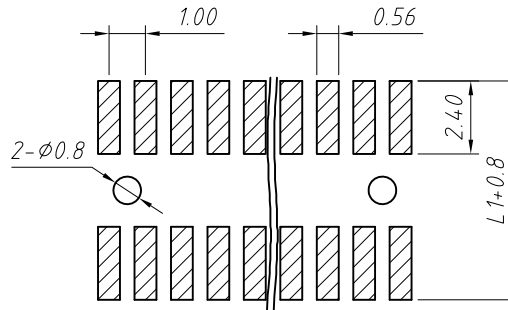
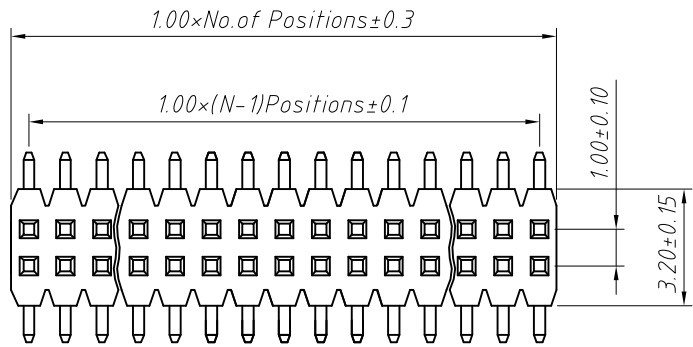
Dimension antitheses list (mm)

| ITEM | L1 | L2 | L3 | Plastic Height |
|-------------|------|------|------|----------------|
| Standard | 1.80 | 2.50 | 0.95 | 1.00 |
| Nonstandard | --- | --- | --- | --- |

| ANGLE TOLERANCE | PROJECTION | Description: | 1.00mm Pin Header | |
|-------------------|------------|--|-------------------|--------------------------------------|
| ±3° | | Double layer, Right Angle Pin, 2xN Pin | | |
| GENERAL TOLERANCE | UNITS | mm | KLS P/N: | L-KLS1-207G-1.00-2-XX-R2-L1xL2xL3-G0 |
| x.x ±0.30 | SHEET SIZE | A4 | | |
| x.xx ±0.20 | Draw: | Daniel | 2018-07-10 | |
| x.xxx ±0.10 | Check: | Daniel | 2018-07-10 | |

NingBo KLS ELECTRONIC CO.,L TD.

1 RoHS Compliance



Recommended P.C.B Hole Layout

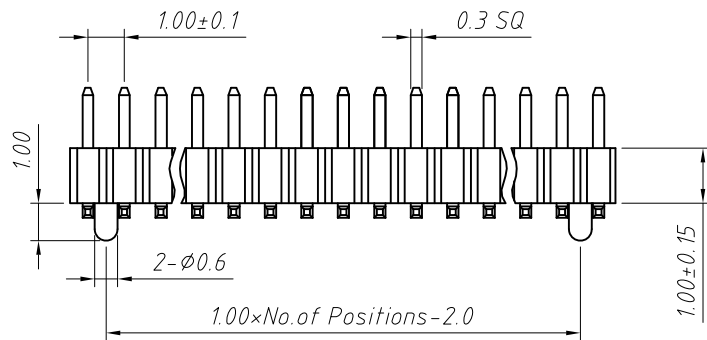
Material:
Standard: PA6T
Contact: Brass
Insulator: Polyester, UL 94V-0

Electrical Characteristics:
Rated Current: 0.75AMP
Contact Resistance: 30mΩ Max
Withstand Voltage: 500V AC/DC
Insulator Resistance: 1000MΩ Min

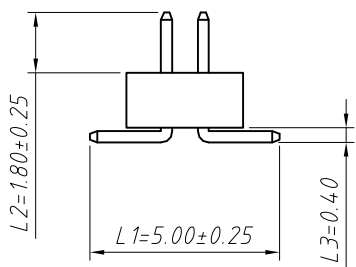
Mechanical
Operating Temperature: -40°C ~ +105°C
Max. Processing Temp: 230°C for 30-60 seconds
(260°C for 10 seconds)

Order Information:
L-KLS1-207G-1.00-2-XX-T-L1xL2xL3-G0

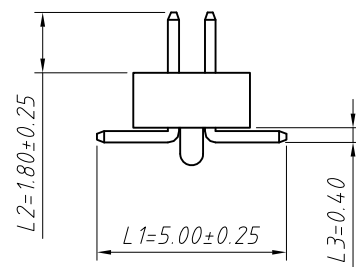
L: RoHS
Pin Header Series
207G: 1.00mm
Plastics Height
1.00, 1.50mm
Per Row: Double layer
Pin: No. of Pins (2x50)
Post: T3=With Post T=W/O Post
Size: L1xL2xL3
Plating:
G0=Gold Flash G1=1u" Gold
G10=10u" Gold G15=15u" Gold
G30=30u" Gold



| Dimension antitheses list (mm) | | | | |
|--------------------------------|------|------|------|----------------|
| ITEM | L1 | L2 | L3 | Plastic Height |
| Standard | 5.00 | 1.80 | 0.40 | 1.00 |
| Nonstandard | --- | --- | --- | --- |



T=W/O Post



T3=With Post

| ANGLE TOLERANCE | PROJECTION | Description: | 1.00mm Pin Header | |
|-------------------|------------|--------------|--------------------------------|-------------------------------------|
| ±3° | | | Double layer, SMT Pin, 2xN Pin | |
| GENERAL TOLERANCE | UNITS | mm | KLS P/N: | L-KLS1-207G-1.00-2-XX-T-L1xL2xL3-G0 |
| x.x ±0.30 | SHEET SIZE | A4 | | |
| x.xx ±0.20 | Draw: | Daniel | 2018-07-10 | |
| x.xxx ±0.10 | Check: | Daniel | 2018-07-10 | |

NingBo KLS ELECTRONIC CO., L TD.