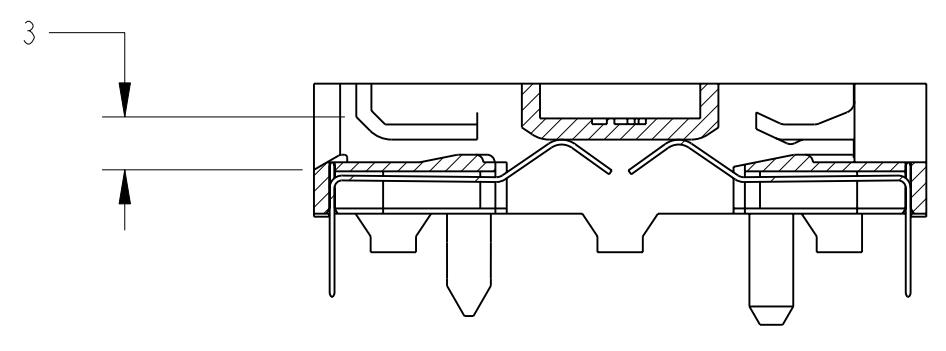
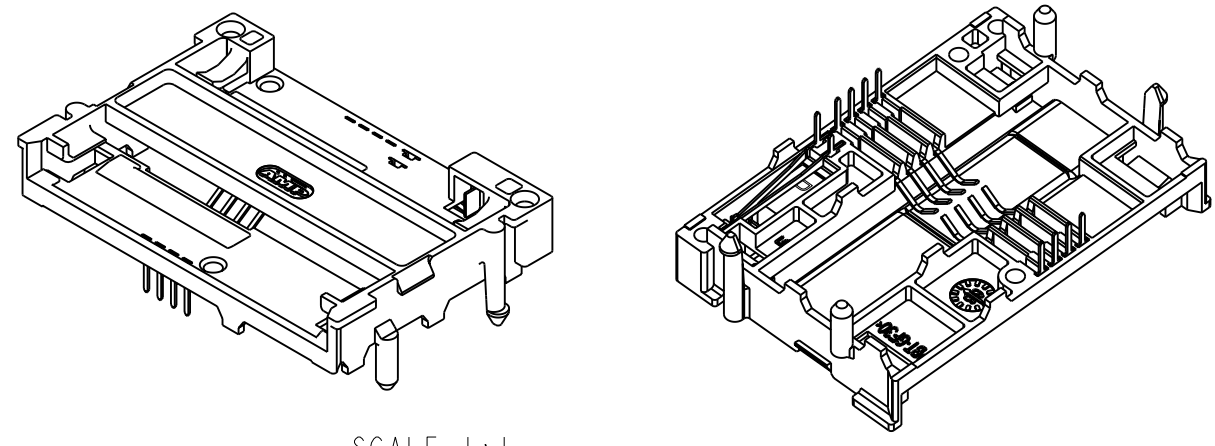


THIS DRAWING IS UNPUBLISHED. RELEASED FOR PUBLICATION
 © COPYRIGHT - ALL RIGHTS RESERVED.

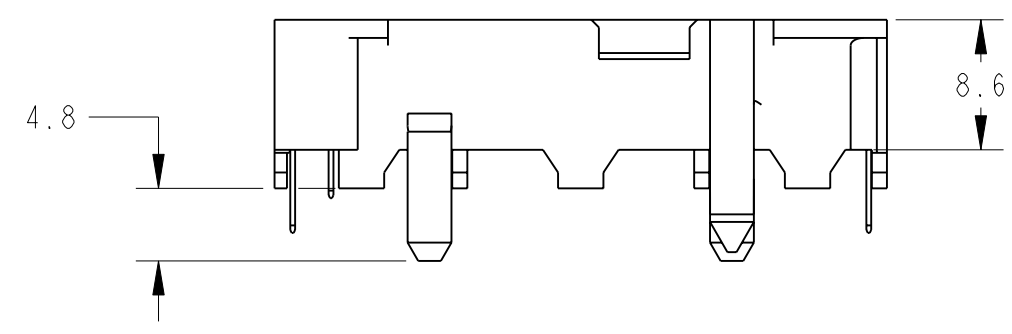
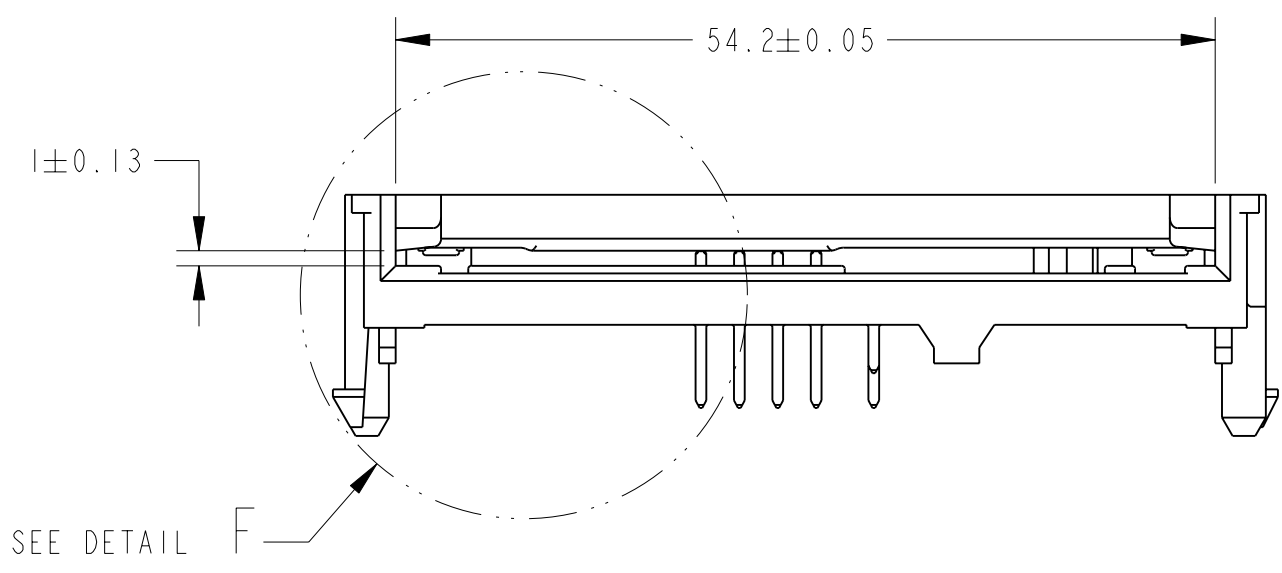
LOC		DIST		REVISIONS			
P	LTR	DESCRIPTION	DATE	DWN	APVD		
	D	ECR-11-025634	20DEC2011	GG	RRP		



SECTION A-A



SCALE 1:1



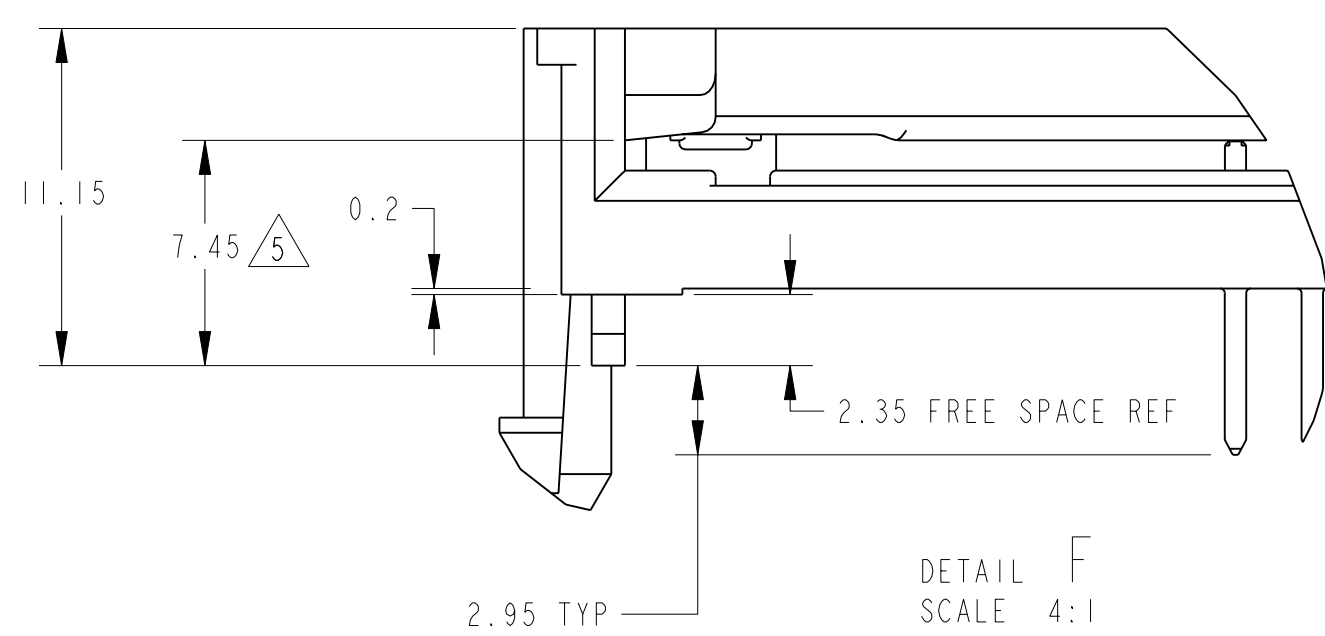
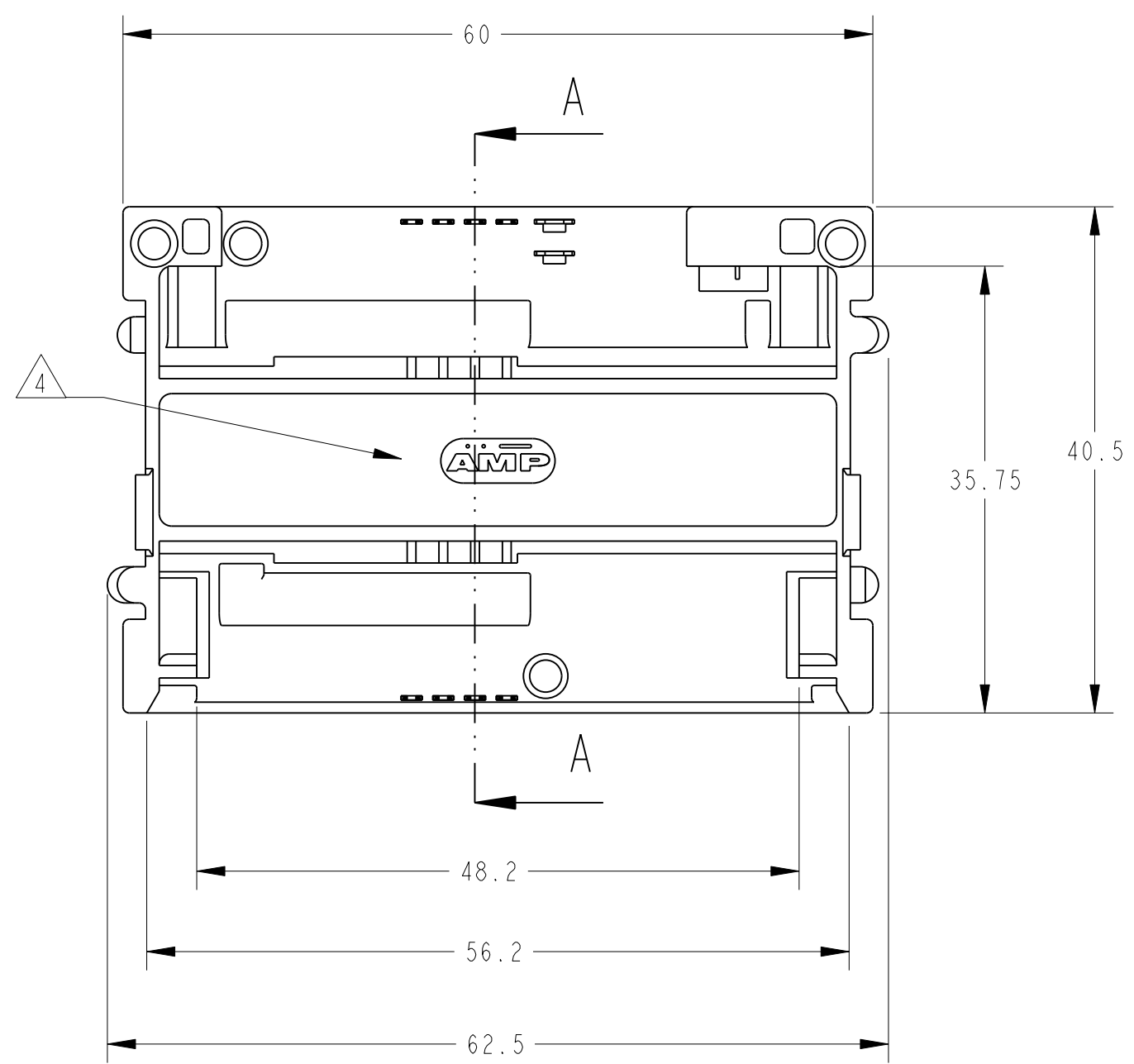
NOTES:

CONTACTS PLATING :

- 1 OVERALL: Ni 2µm MIN, ALL OVER THE CONTACTS.
 SOLDER ZONE: Sn 2.5µm MIN ON THE SOLDER ZONE OF THE CONTACTS.
 MATING ZONE: PLATING CONFIRMS TO PRODUCT REQUIREMENTS AS PER SPECIFICATION 108-15202.

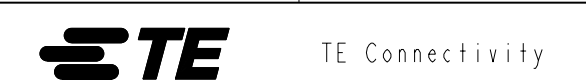
MATERIAL :

- 2 HOUSING: PBT-GF, BLACK UL 94V0.
 CONTACTS: PHOSPHOR BRONZE.
- 3 TE SMART CARD RECEPTACLE DESIGNED TO ACCEPT ISO 7810-7816 TYPE INTEGRATED CIRCUIT SMART CARDS (0.76MM REF. THICKNESS) SEE SHEET 2/2
- 4 LOGO SHAPE AND POSITION VARY DEPENDING ON MOLD CAVITY NUMBER.
- 5 DIMENSION APPLICABLE IN CARD CONTACT AREA ONLY SURFACE VARY DEPENDING ON MOLD CAVITY NUMBER



DETAIL F
SCALE 4:1

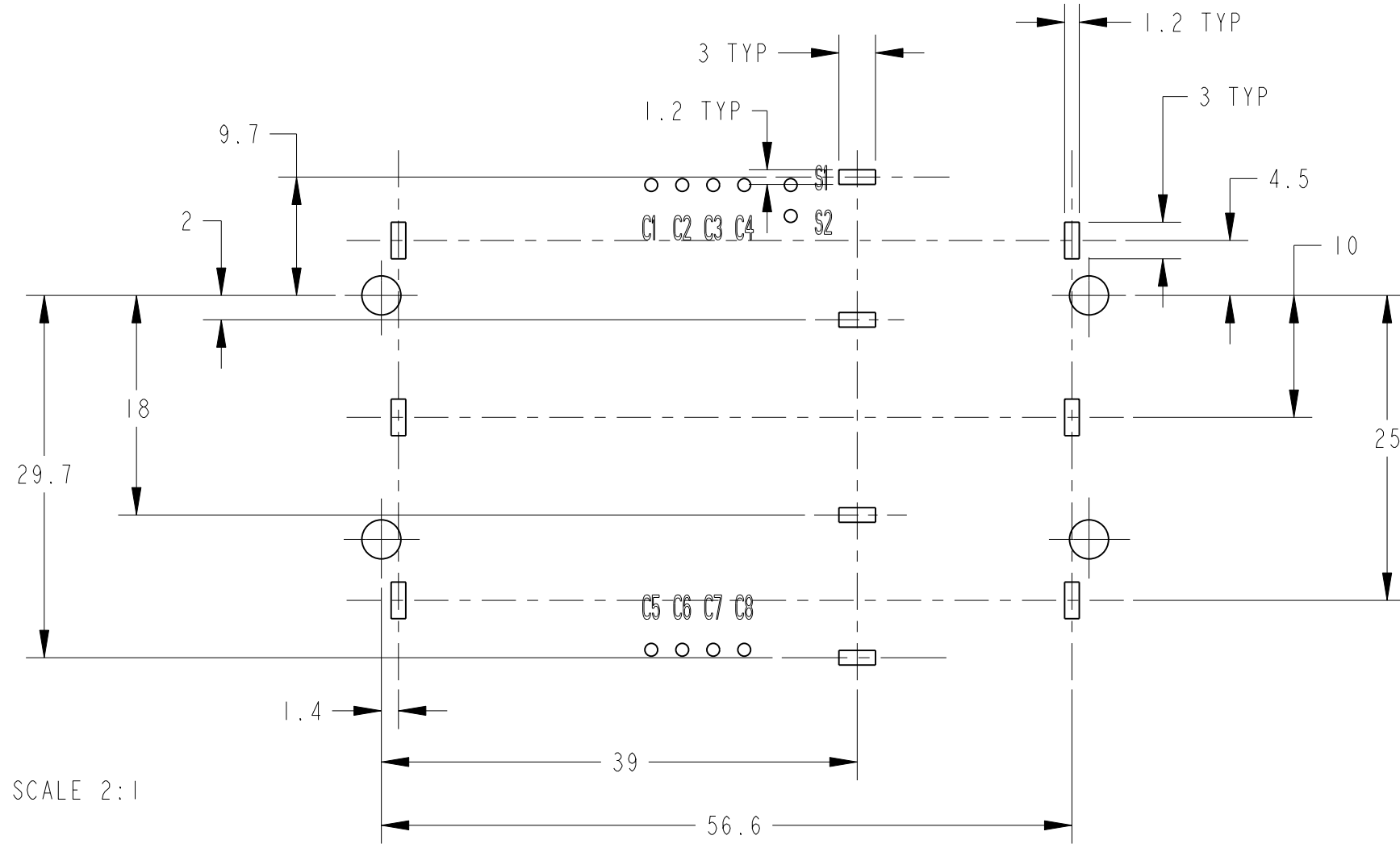
PartNumber: 5953438-1 8 POSITIONS ISO 7816



NAME: SMART CARD READER 0.76mm, PCB MOUNT THROUGH HOLE, RAISED PROFILE BLADE SWITCH NORMALLY CLOSED

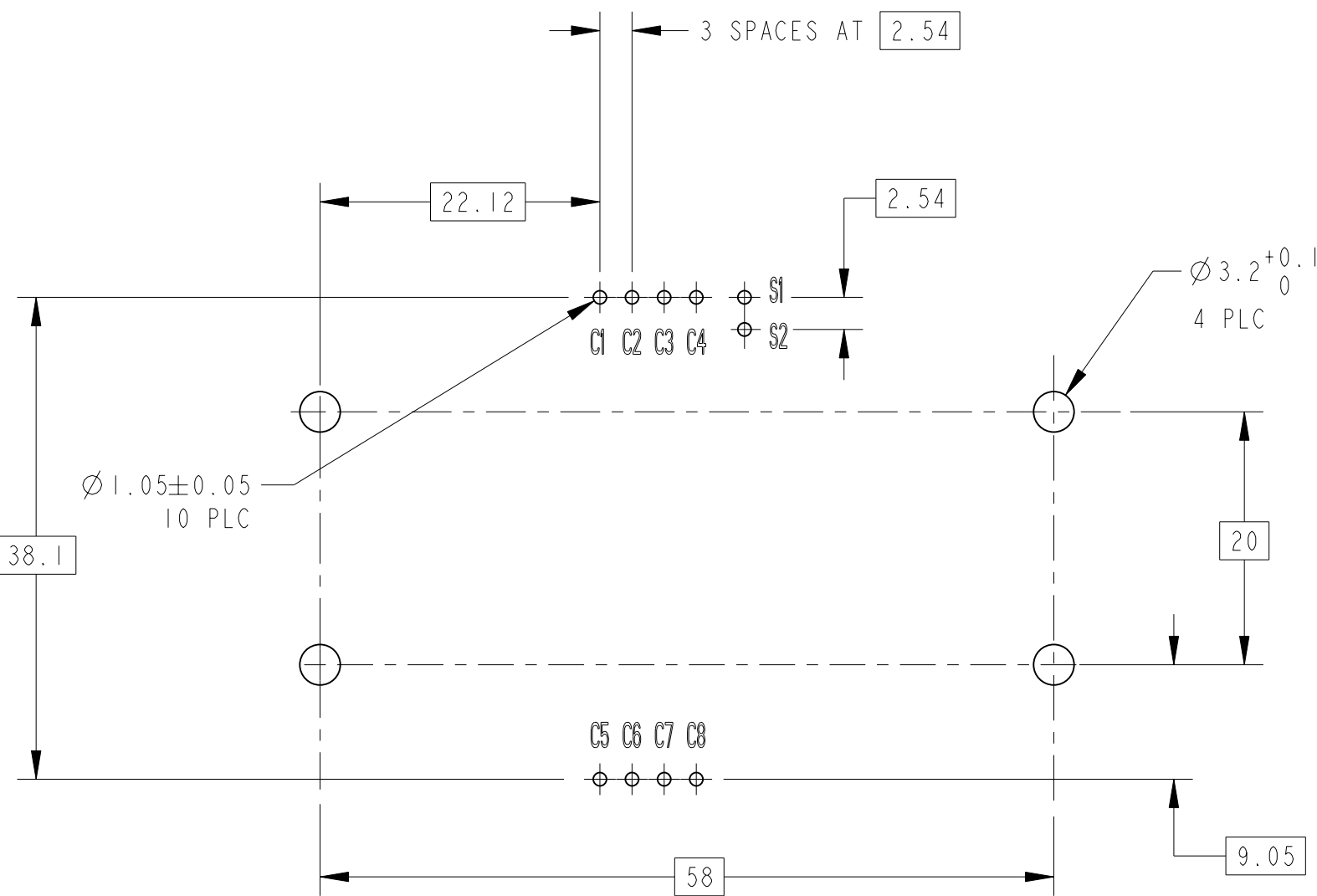
THIS DRAWING IS A CONTROLLED DOCUMENT.		DWN R. Coolen 16 Dec 04
DIMENSIONS: mm		CHK W. Jansen
TOLERANCES UNLESS OTHERWISE SPECIFIED:		APVD P. Jaeger
0 PLC ±0.5	1 PLC ±0.3	PRODUCT SPEC 108-15202
2 PLC ±0.03	3 PLC ±0.001	APPLICATION SPEC
4 PLC ±0.001	ANGLES ±	WEIGHT 9 g
FINISH		SIZE A2
		CAGE CODE C-5953438
		DRAWING NO. 5953438
		RESTRICTED TO -
		CUSTOMER DRAWING

THIS DRAWING IS UNPUBLISHED. RELEASED FOR PUBLICATION
 © COPYRIGHT - ALL RIGHTS RESERVED.



SCALE 2:1

STANDOFF AREA
 SPACE WITHOUT COMPONENTS
 (CONNECTOR SIDE)

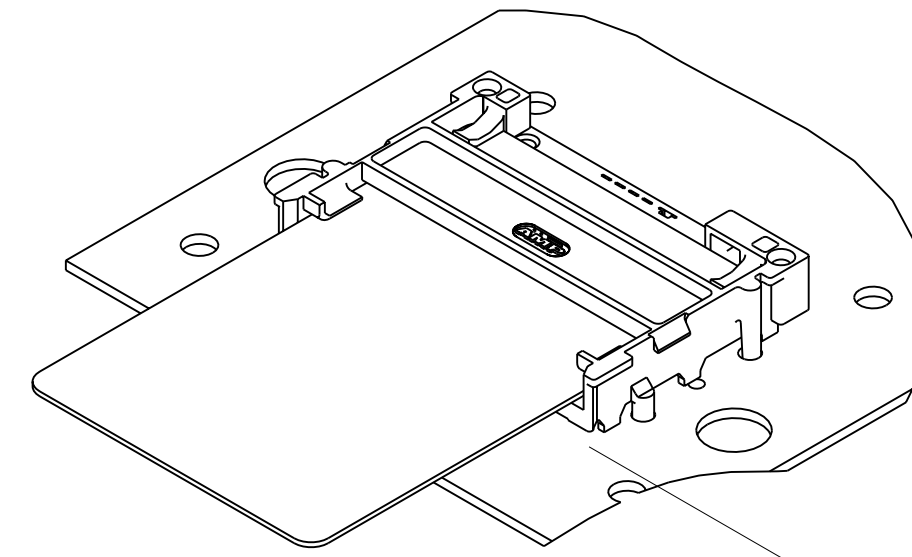


POSITION TOLERANCE FOR ALL HOLES $\pm \text{Ø}0.1$

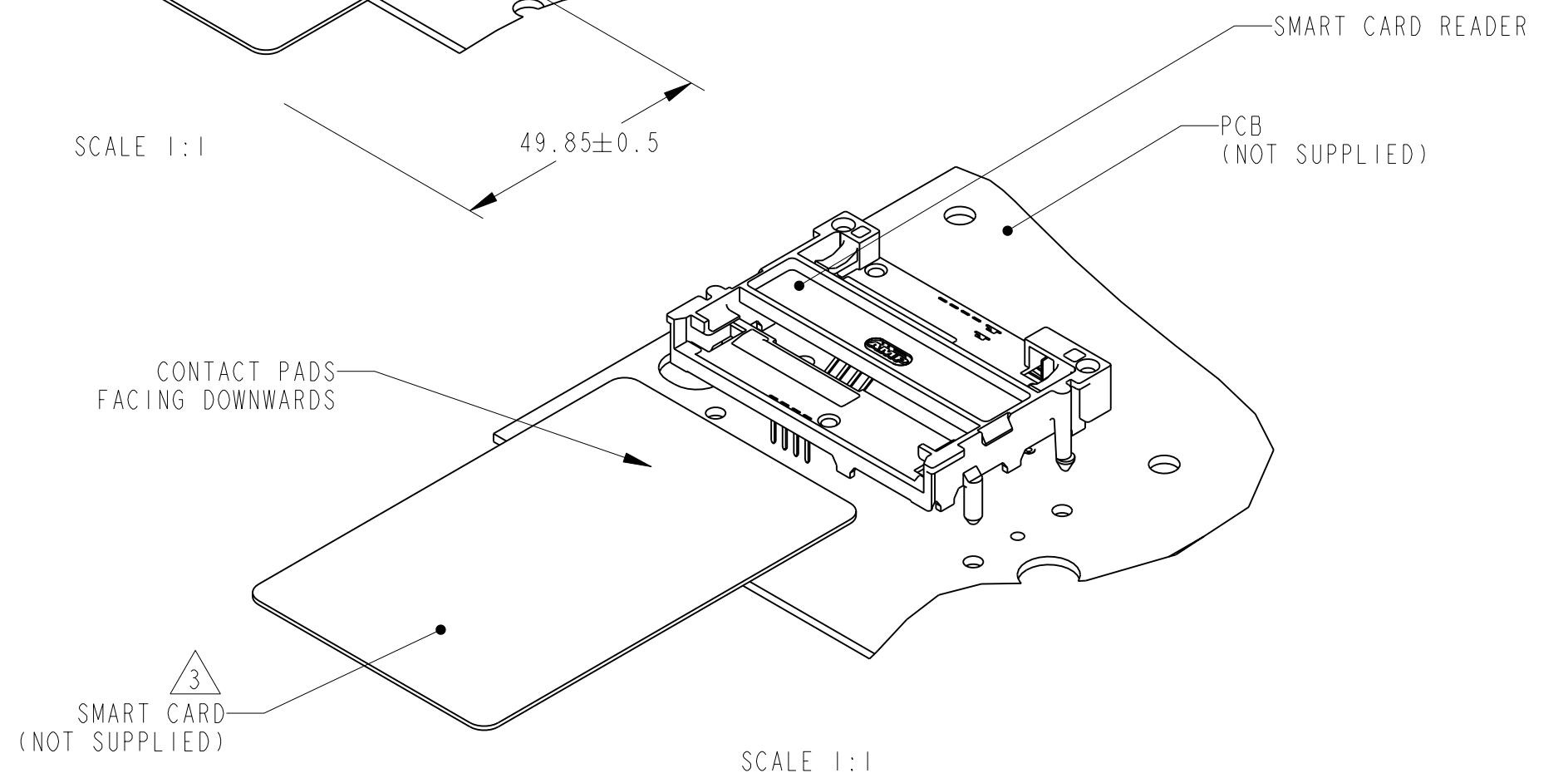
PC BOARD THICKNESS 1.57 ± 0.1 (.062)
 (CONNECTOR SIDE)

RECOMMENDED PCB LAYOUT

LOC	DIST	REVISIONS			
P	LTR	DESCRIPTION	DATE	DWN	APVD
IR	-	SEE SHEET 1	-	-	-



SCALE 1:1



PCB MOUNTING CONFIGURATION

THIS DRAWING IS A CONTROLLED DOCUMENT.		DWN R. Coolen 16 Dec 04	TE Connectivity	
DIMENSIONS: mm		CHK W. Jansen		
TOLERANCES UNLESS OTHERWISE SPECIFIED:		APVD P. Jaeger	PRODUCT SPEC	SIZE A2
0 PLC ±0.5 1 PLC ±0.3 2 PLC ±0.03 3 PLC ±0.001 4 PLC ±0.0001 ANGLES ±		APPLICATION SPEC	RESTRICTED TO	
MATERIAL		WEIGHT	CAGE CODE	DRAWING NO
			G=5953438	SCALE 2:1
		CUSTOMER DRAWING	SHEET 2 OF 2	REV D