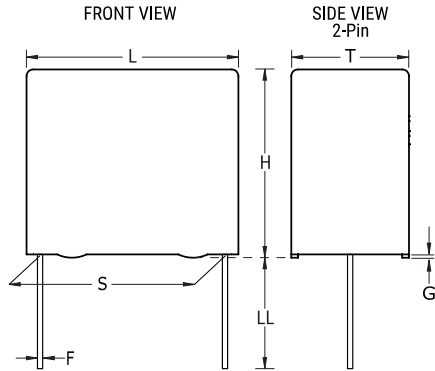


KEMET Part Number: PHE448SB4100JR06
(F448BD102J2K0C)

PHE448/F448, Film, Film/Foil Polypropylene, General Purpose, 1000 pF, 5%, 2000 VDC, 85°C, Lead Spacing = 15mm



General Information	
Series:	PHE448/F448
Dielectric:	Film/Foil Polypropylene
Style:	Radial
Features:	Pulse
RoHS:	Yes
Lead:	Wire Leads
AEC-Q200:	No
Miscellaneous:	Rthha= 84 C/W (85C), 0.2 m/s.
Notes:	Not For New Design, Please Check Possible Alternative Parts (AltPart).

Dimensions	
L	18mm MAX
H	10.5mm MAX
T	5.5mm MAX
S	15mm +/-0.4mm
LL	6mm -1mm
F	0.8mm +/-0.05mm
G	0.5mm NOM

Specifications	
Capacitance:	1000 pF
Capacitance Tolerance:	5%
Voltage AC:	700 VAC
Voltage DC:	2000 VDC, 1480 VDC (105C)
Temperature Range:	-55/+105°C
Rated Temperature:	85°C
Dissipation Factor:	0.03% 1kHz, 0.05% 10kHz, 0.1% 100kHz
Insulation Resistance:	30 GOhms
Max dV/dt:	25000 V/us
Inductance:	6 nH

Packaging Specifications	
Packaging:	Bulk, Bag
Packaging Quantity:	1000