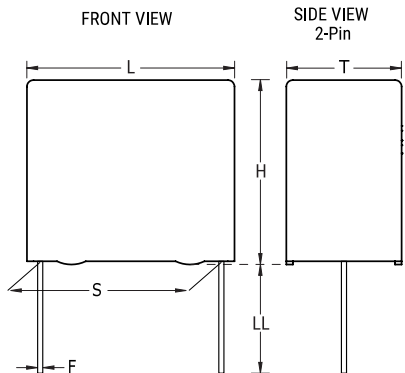


F863, Film, Metallized Polypropylene, Automotive Safety, 0.33 uF, 10%, 310 VAC (X2), 110°C, Lead Spacing = 15mm



**Dimensions**

<b>L</b>	18mm +0.5/-0.5mm
<b>H</b>	14.5mm +0.1/-0.5mm
<b>T</b>	8.5mm +0.2/-0.5mm
<b>S</b>	15mm +/-0.4mm
<b>LL</b>	30mm +5mm
<b>F</b>	0.6mm +/-0.05mm

**Packaging Specifications**

<b>Packaging:</b>	Bulk, Bag
<b>Packaging Quantity:</b>	500

**General Information**

<b>Series:</b>	F863
<b>Dielectric:</b>	Metallized Polypropylene
<b>Style:</b>	Radial
<b>Features:</b>	MKP EMI, Automotive Grade, Harsh Environmental Conditions
<b>RoHS:</b>	Yes
<b>Lead:</b>	Wire Leads
<b>Safety Class:</b>	X2
<b>Qualifications:</b>	ENEC, UL, cUL, CQC, AEC-Q200
<b>AEC-Q200:</b>	Yes
<b>Shelf Life:</b>	104 Weeks

**Specifications**

<b>Capacitance:</b>	0.33 uF
<b>Capacitance Tolerance:</b>	10%
<b>Voltage AC:</b>	310 VAC (X2)
<b>Temperature Range:</b>	-40/+110°C
<b>Rated Temperature:</b>	110°C
<b>Dissipation Factor:</b>	0.2% 1KHz
<b>Insulation Resistance:</b>	30 GOhms
<b>Max dV/dt:</b>	400 V/us

Statements of suitability for certain applications are based on our knowledge of typical operating conditions for such applications, but are not intended to constitute - and we specifically disclaim - any warranty concerning suitability for a specific customer application or use. This Information is intended for use only by customers who have the requisite experience and capability to determine the correct products for their application. Any technical advice inferred from this Information or otherwise provided by us with reference to the use of our products is given gratis, and we assume no obligation or liability for the advice given or results obtained.