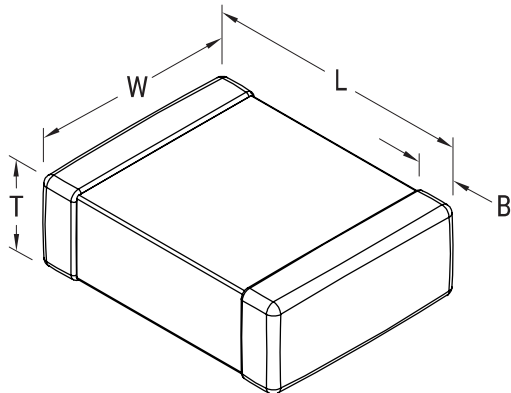


KEMET Part Number: C1812F475K5RACTU
(C1812F475K5RAC7800)

SMD Comm X7R FO, Ceramic, 4.7 uF, 10%, 50 VDC, X7R, SMD, MLCC, Open Mode, Temperature Stable, 1812



Dimensions

Dimensions	
Chip Size	1812
L	4.5mm +/-0.3mm
W	3.2mm +/-0.3mm
T	1.6mm +/-0.20mm
B	0.6mm +/-0.35mm

Packaging Specifications

Packaging:	T&R, 180mm, Plastic Tape
Packaging Quantity:	1000

General Information

Series:	SMD Comm X7R FO
Style:	SMD Chip
Description:	SMD, MLCC, Open Mode, Temperature Stable
Features:	Open Mode, Temperature Stable
RoHS:	Yes
Termination:	Tin
Marking:	No
AEC-Q200:	No
Miscellaneous:	Note: KEMET 50V rated parts may be operated at 63 Volts.
Shelf Life:	78 Weeks
MSL:	1

Specifications

Capacitance:	4.7 uF
Measurement Condition:	1 kHz 1.0Vrms
Capacitance Tolerance:	10%
Voltage DC:	50 VDC
Dielectric Withstanding Voltage:	125 VDC
Temperature Range:	-55/+125°C
Temperature Coefficient:	X7R
Capacitance Change with Reference to +25°C and 0 VDC Applied (TCC):	15%, 1kHz 1.0Vrms
Dissipation Factor:	2.5% 1 kHz 1.0Vrms
Aging Rate:	3% Loss/Decade Hour: Referee Time is 1000 Hours
Insulation Resistance:	106 MOhms