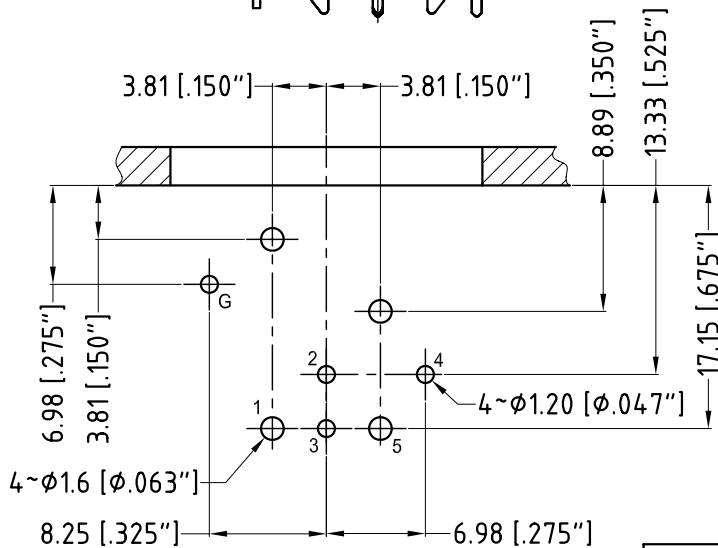
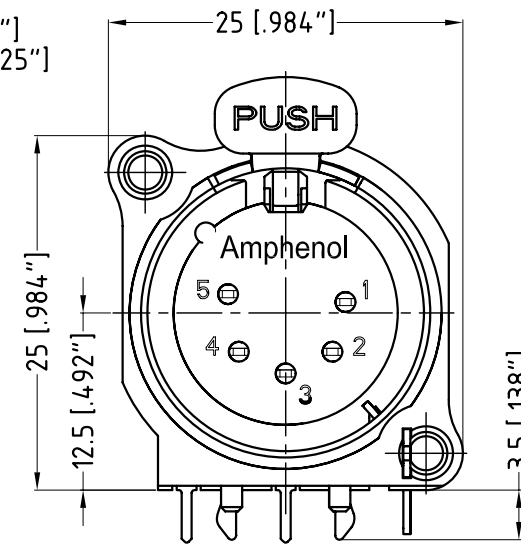
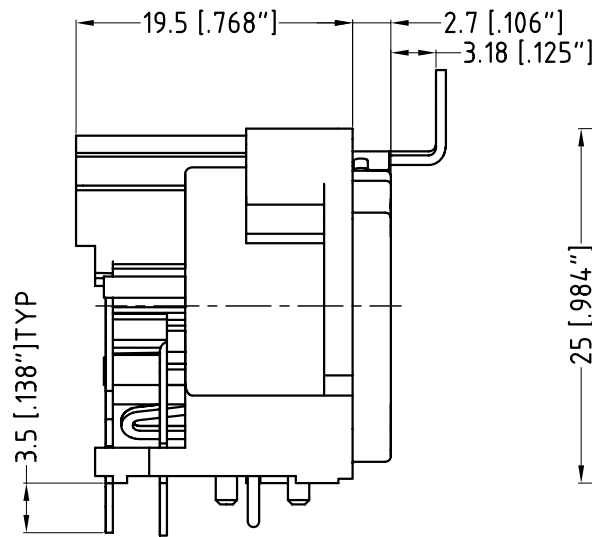
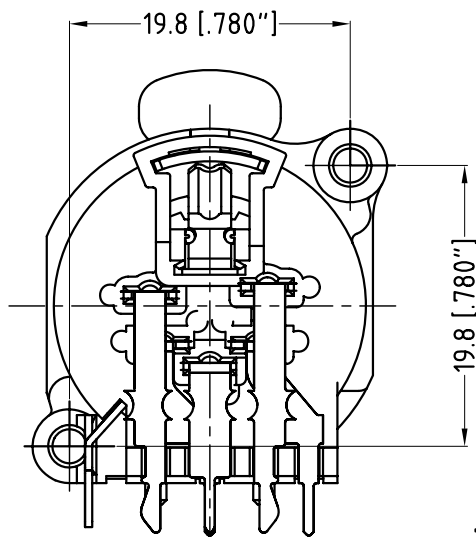


LEGEND = KEY PRODUCT CHARACTERISTICS



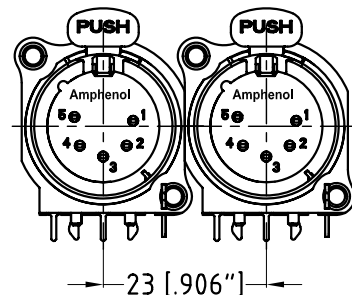
**REVISION HISTORY**

REV	DESCRIPTION	DATE	BY	CHG/No
0	FIRST ISSUED	21-08-08	M.H	---
1	ADD -B TO PN	26-08-15	M.H	---

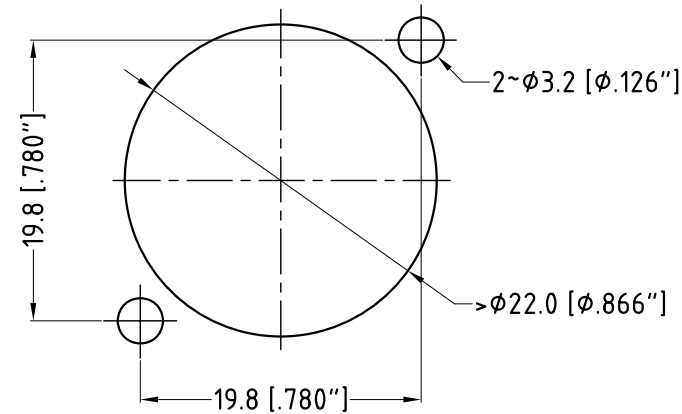


**PCB-LAYOUT**

COMPONENT SIDE  
TOLERANCE: ±0.05mm [0.002"]



(SCALE 1:2)



**PANEL CUT OUT**

REAR VIEW

UNLESS OTHERWISE SPECIFIED  
TOLERANCE TO BE

LINEAR		ANGULAR	
X ±0.5	X' ±1	X.X' ±30°	X.X' ±15°
X.X ±0.1	X.X' ±30°	X.X' ±15°	
X.XX ±0.05	X.X' ±15°		

BREAK ALL SHARP EDGES  
AND REMOVE ALL BURRS

DO NOT SCALE

DIMENSIONS IN MILLIMETRES

THIS DOCUMENT IS THE PROPERTY OF AMPHENOL AUSTRALIA PTY. LTD.  
NO PART THEREOF MAY BE REPRODUCED AND USED  
WITHOUT THE PRIOR WRITTEN CONSENT OF THE OWNER

MATERIAL:  
REFER TO COMPONENTS

FINISH: REFER TO COMPONENTS

THIRD ANGLE PROJECTION

DRN: A.O

CKD: M.H

APP'D: P.M

SCALE: 1:1

DATE: 20-08-08

DATE: 26-08-15

DATE: 26-08-15

SIZE: A4

**Amphenol**

AC5FAH-AU-B  
HORIZONTAL FEMALE  
CUSTOMER DRAWING

CAD FILE: 55010445000111

Amphenol Australia Pty.Ltd,  
2 Flveways Blvd, Keysborough, VIC 3173

PART NO:  
AC5FAH-AU-B

DRAWING NO. 55010445-000-1

SHEET  
1/1