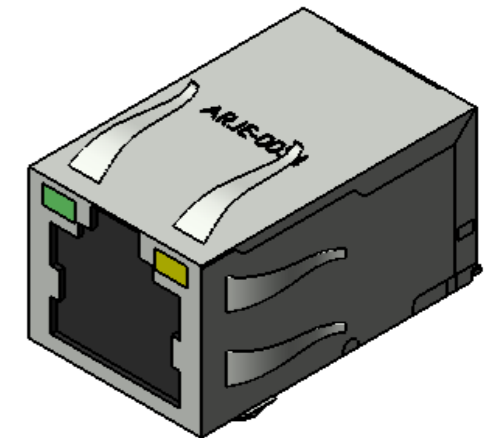
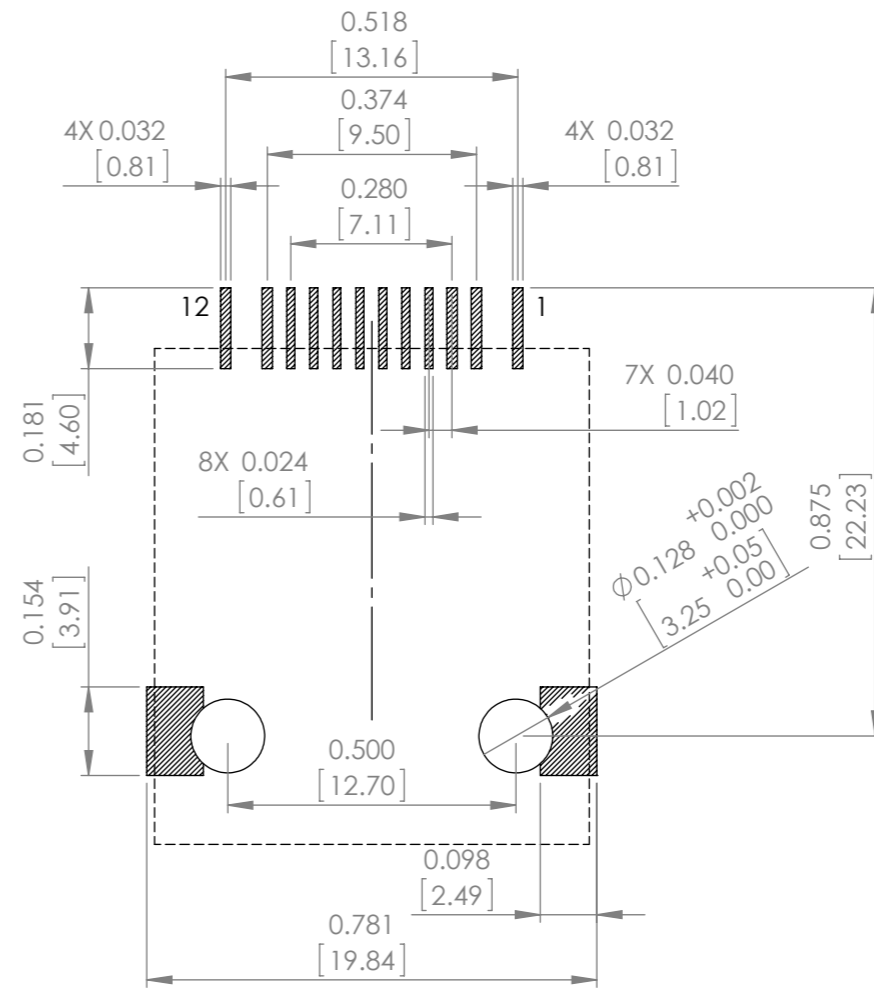
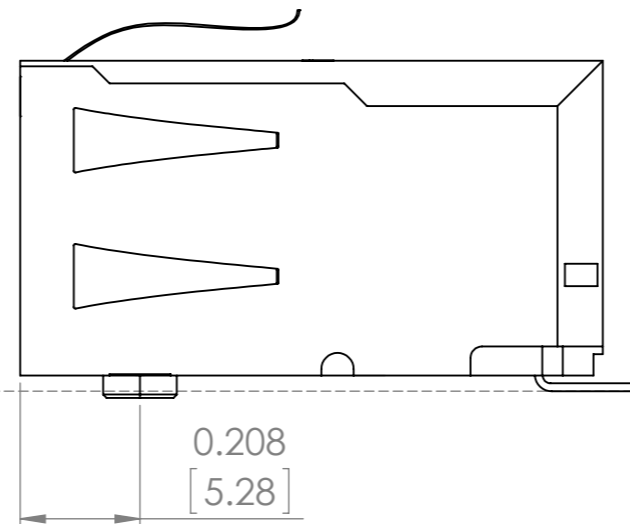
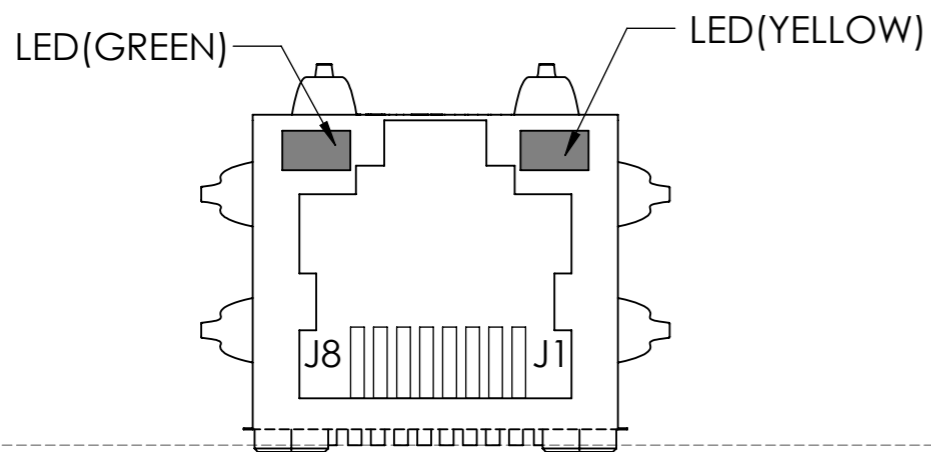


↑
Chip side
Cable side
↓

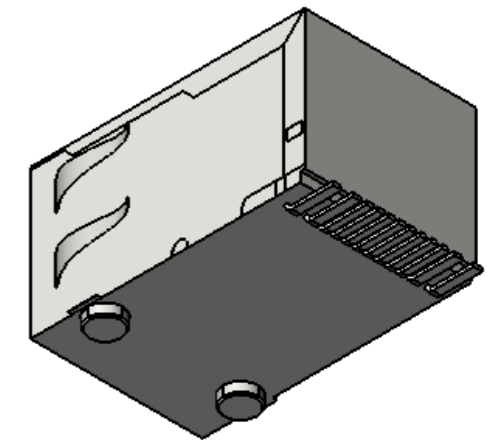
Recommended Land Pattern



Recommended hole pattern (viewed from component side)




0.004 [0.10] 14 SURFACES



REFERENCE OR GAUGE PLANE

TOP PACKAGE MARKING IS FOR ILLUSTRATION PURPOSES ONLY

DO NOT SCALE DRAWING		REVISION -	
			
Apracon LLC, 2 Faraday, Suite#B Irvine, Ca. 92618			
TITLE:		RJ45	
DWG NO.		ARJE-0034	A3
SCALE:3:1		SHEET 1 OF 1	