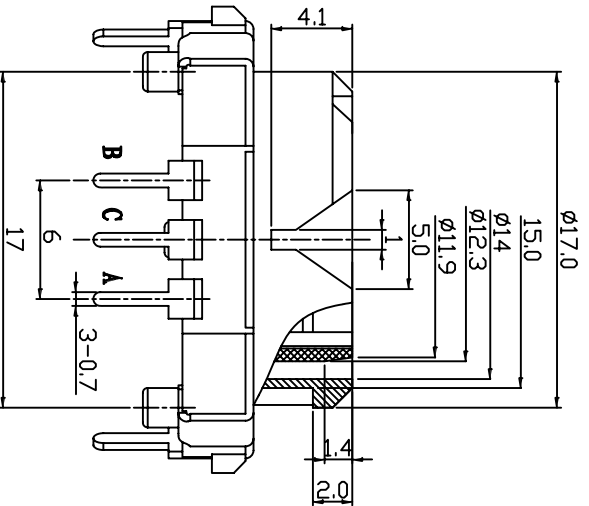


PCB LAYOUT

Mechanical
 Total rotation angle: 360°
 Click Torque: 30~150gf.cm Max
 Push-pull Strength of Shaft: 8.0kgf Min.
 Shaft wobble: 0.7XL/30mm P-P max. L-shaft length
 Number of Detents(Click): 20 detents Step angle:18°±2°
 Shaft play in axial direction: 0.4mm Max.
 shaft play in rotational wobble: 5° Max.
 Rotational Life: 30000±200 cycles per 100gf.cm Min.
 Temp. Range: -40 ° C ~ + 85 ° C
 Soldering: 250 ° C 5Sec. Max.

Electrical Characteristics
 Rated Power: DC5V 5mA Max.
 Output signal: A \ B 2signals
 Resolution: 10 Pulses 360°
 Phase difference: 0.08T Min.
 Sliding noise: 3MS Max.
 Contact Resistance: 1Ω Max.
 Insulation resistance: 100MΩ Min. at DC 250V
 Withstand voltage: AC300V / 1min



GENERAL TOLERANCE		ANGLE TOLERANCE		PROJECTION	
X	±0.50	X	±5°	UNITS	
.X	±0.38	.X	±3°	SHEET SIZE	A4
.XX	±0.25	.XX	±2°	KLS P/N:	KLS4-RT2501
Draw by: Date		2015-09-01		Description: 25MM Ring type Encoder	
Check by: Date		2015-09-15			
SCALE		SHEET			
		OF		KLS ELECTRONIC CO., LTD.	