

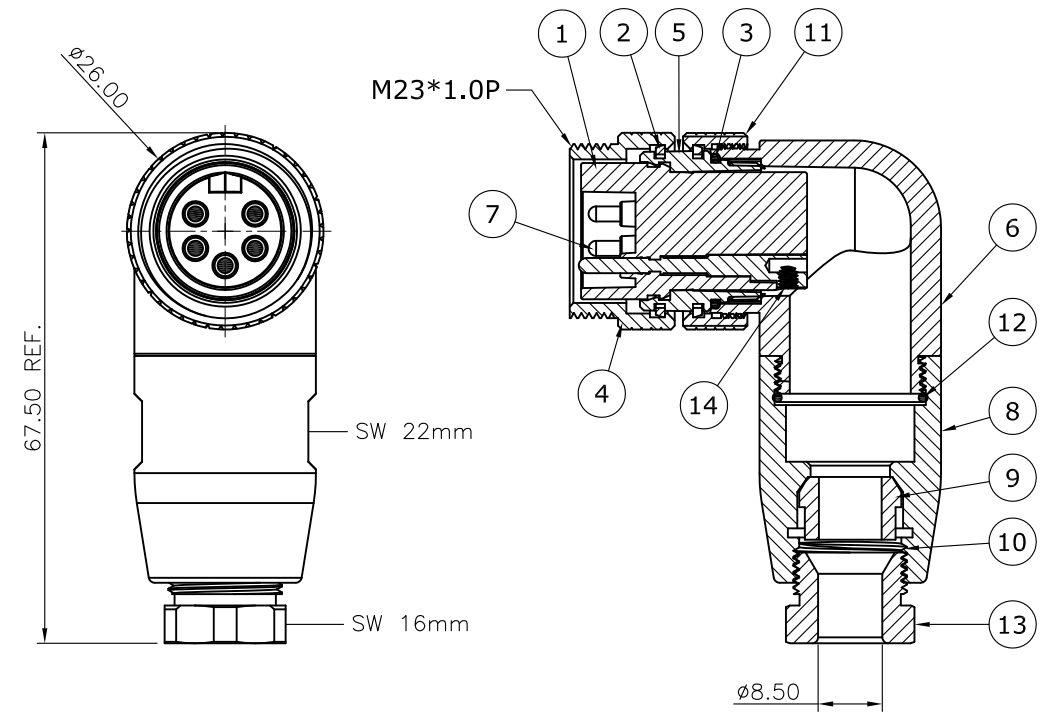
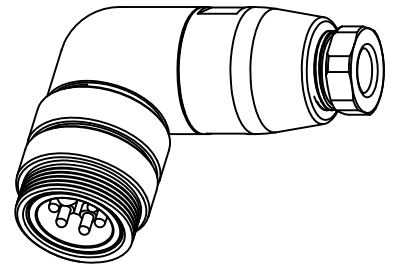
REV.	DESCRIPTION	DRAWN	DATE
1	INITIAL RELEASE	TIM	2018/09/17

SPECIFICATION:

1. CURRENT RATING: 20A
2. VOLTAGE: 250V
3. WATER PROOF: IP67
4. OPERATION TEMPERATURE: -40°C TO +85°C

NOTE:

Applicable Cable Outer Diameter: $\phi 7$ to $\phi 8$ mm



14	SCREW	Alloy steel, Nickel plating
13	NUT C	Aluminium alloy, Nickel plating, Black
12	O-RING B	EPDM, Black
11	NUT B	Aluminium alloy, Nickel plating, Black
10	GLAND CAGE	POM, White
9	GLAND	Silicone, Black
8	BODY	Aluminium alloy, Nickel plating, Black
7	CONTACT	Brass, Gold plating over Nickel
6	SHELL B	Aluminium alloy, Nickel plating, Black
5	SHELL A	Aluminium alloy, Nickel plating, Black
4	NUT A	Brass, Nickel plating, Black
3	O-RING A	EPDM, Black
2	SPRING	Stainless steel
1	HOUSING	TPU, UL94V-0, Yellow
NO	PART NAME	DESCRIPTION

UNLESS OTHERWISE SPECIFIED TOLERANCE			
UNIT:	DECIMAL	LINEAR	ANGLES
mm	X.	± 0.50	$\pm 5^\circ$
	X.X	± 0.25	$\pm 3^\circ$
	X.XX	± 0.12	$\pm 1^\circ$
WWW.ATTEND.COM.TW			
DRAWN	Tim	2018/09/17	DRAWN NAME:
CHECKED	Fros	2018/09/17	M23 A- Code Plug for Cable, 5Pin Male For Field Installable, R/A Type
APPROVED	Ken	2018/09/17	PRODUCT NO. 221A-05MF0-01
	SCALE 1/1	SHEET 1/1	SIZE A4
			FILE NAME 221A-05MF0-01_B_1

