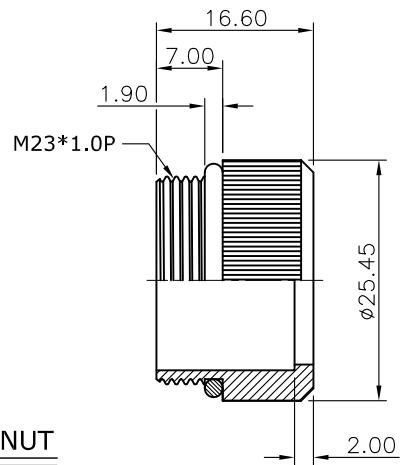
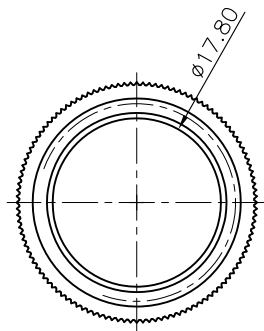
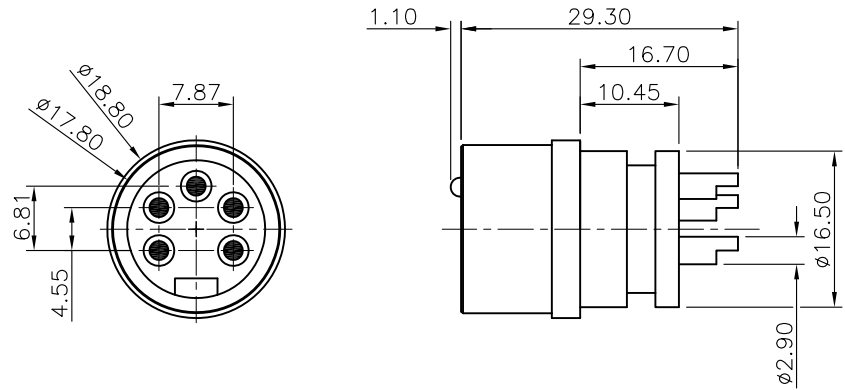


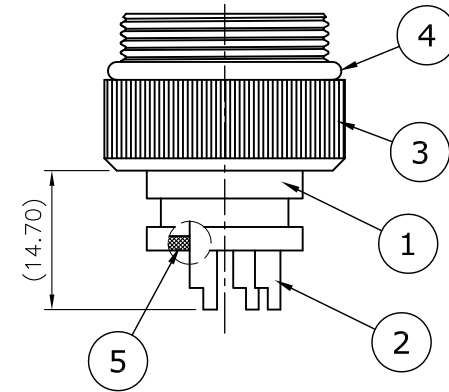
REV.	DESCRIPTION	DRAWN	DATE
1	INITIAL RELEASE	TIM	2018/09/17




NUT

**SPECIFICATION:**

1. CURRENT RATING: 20A
2. VOLTAGE: 125V
3. WATER PROOF: IPX7
4. OPERATION TEMPERATURE: -20°C TO +85°C



NO	PART NAME	DESCRIPTION
5	EPOXY BASE	
4	O-RING	NBR,Black
3	NUT	Brass, Nickel plated
2	CONTACT	Brass, Gold plating over Nickel
1	HOUSING	PBT, UL94V-0, Yellow

UNLESS OTHERWISE SPECIFIED TOLERANCE					
UNIT:	DECIMAL	LINEAR	ANGLES		
mm	X.	±0.50	±5°	WWW.ATTEND.COM.TW	
	X.X	±0.25	±3°		
	X.XX	±0.12	±1°		
DRAWN	Tim	2018/09/17	DRAWN NAME:		
CHECKED	Fros	2018/09/17	M23 A-Code Plug for Cable		
APPROVED	Ken	2018/09/17	5Pin Male For Overmold with Cable		
SCALE	1.25	SHEET	1/1	SIZE	A4
FILE NAME	221A-05MO0_B_1				