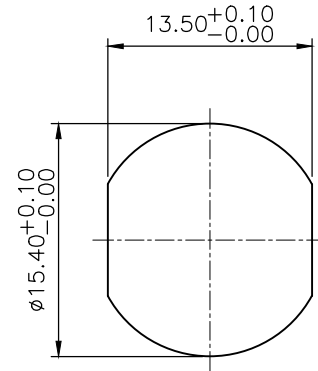
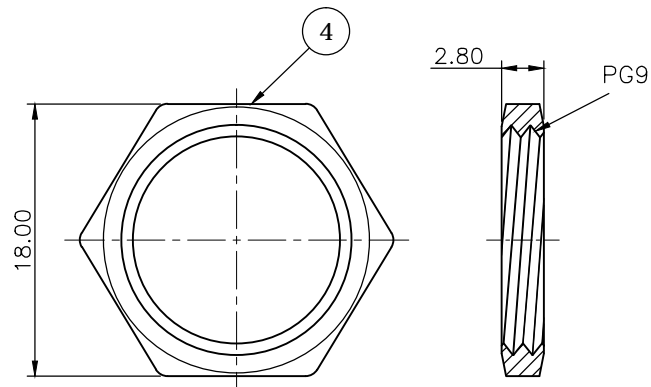
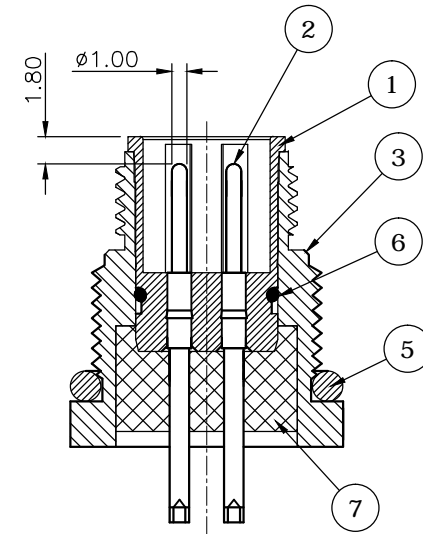
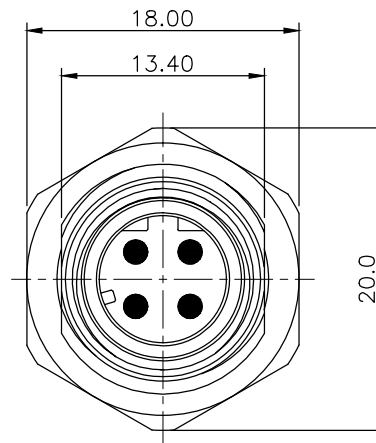
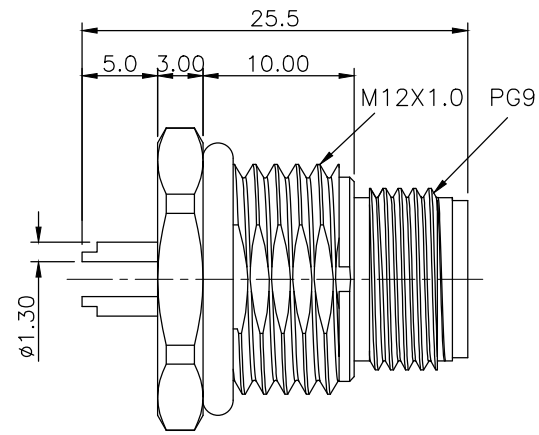


REV.	DESCRIPTION	DRAWN	DATE
1	INITIAL RELEASE	TIM	2018/04/13

SPECIFICATION:

Current Rating: 5A
Voltage Rating: 125V
Waterproof: IPX7
Operation Temperature: -40°C to 85°C



NUT

PANEL CUT-OUT

7	Epoxy	Black
6	ORING B	Silicone, Black
5	ORING A	EPDM, Black
4	NUT	Brass, Nickel plating
3	SHELL	Brass, Nickel plating
2	CONTACT	Brass, 10u" Gold plating under Nickel
1	HOUSING	PBT, UL94V-0, Black
NO.	PART NAME	DESCRIPTION

UNLESS OTHERWISE SPECIFIED TOLERANCE

UNIT:	DECIMAL	LINEAR	ANGLES
mm	X.	±0.50	±5°
	X.X	±0.25	±3°
	X.XX	±0.12	±1°



WWW.ATTEND.COM.TW

DRAWN	Tim	2018/04/13	DRAWN NAME:
CHECKED	Fros	2018/04/13	M12 D-Code Receptacle, 4 Pin Male Solder Type Front Fastened
APPROVED	Ken	2018/04/13	PRODUCT NO. 216D-04MAF
SCALE	2/1	SHEET	1/1
SIZE	A4	FILE NAME	216D-04MAF_B_1