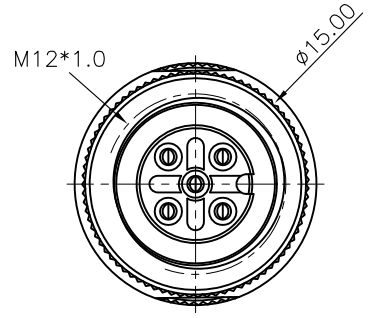


REV.	DESCRIPTION	DRAWN	DATE
1	INITIAL RELEASE	TIM	2018/04/12

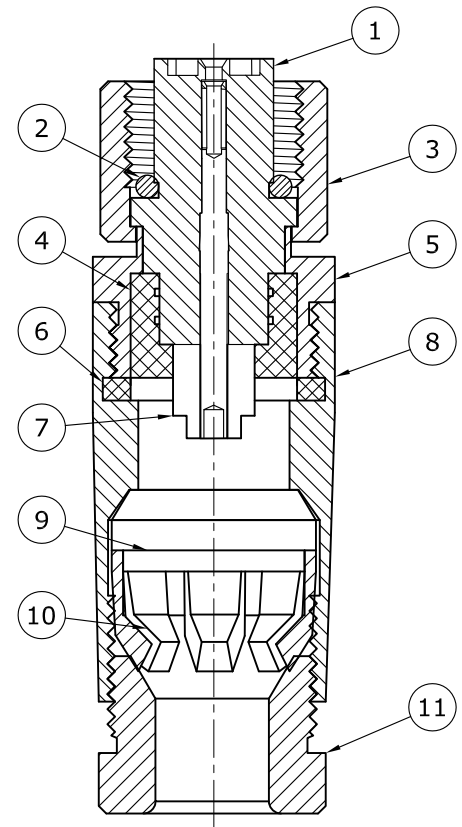
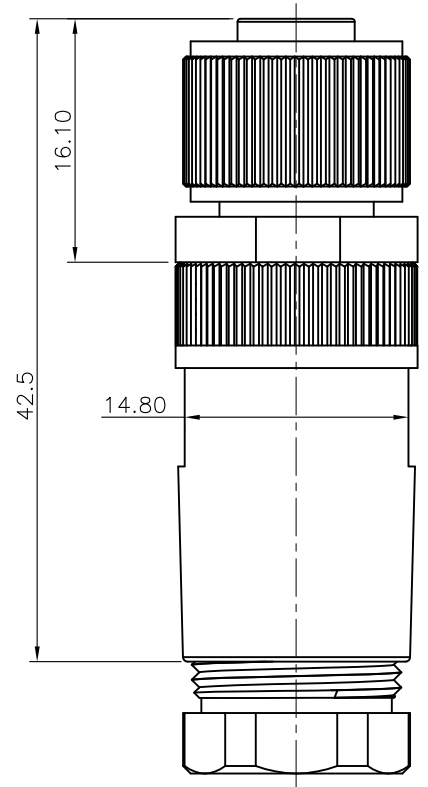


SPECIFICATION:


1. CURRENT RATING: 5A
2. VOLTAGE: 125V
3. WATER PROOF: IPX7
4. OPERATION TEMPERATURE: -40°C TO +85°C

NOTE:

Applicable Cable Outer Diameter: ø5.0 to ø7.0mm



NO	PART NAME	DESCRIPTION
11	NUT B	Aluminium alloy, Nickel plating
10	GLAND CAGE	POM, White
9	GLAND	Silicone, Black
8	BODY	Aluminium alloy, Nickel plating
7	CONTACT	Brass, Gold plating over Nickel
6	O-RING B	Silicone, Black
5	SHELL	Aluminium alloy, Nickel plating
4	EPOXY	EPOXY
3	NUT A	Aluminium alloy, Nickel plating
2	O-RING A	EPDM, Black
1	HOUSING	PBT, UL94V-0, Black

UNLESS OTHERWISE SPECIFIED TOLERANCE			 WWW.ATTEND.COM.TW	
UNIT:	DECIMAL	LINEAR		ANGLES
mm	X.	±0.50		±5°
	X.X	±0.25		±3°
	X.XX	±0.12	±1°	
DRAWN	Tim	2018/04/12	DRAWN NAME:	
CHECKED	Fros	2018/04/12	M12 A- Code Plug for Cable 5 Pin Female For Field Installable	
APPROVED	Ken	2018/04/12	PRODUCT NO. 216A-05FF0	
SCALE	SHEET	SIZE	FILE NAME	
2/1	1/1	A4	216A-05FF0_B_1	