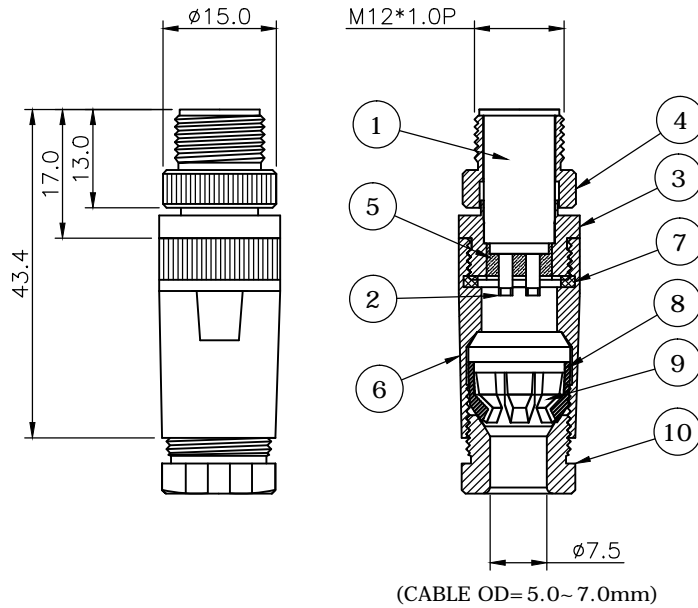
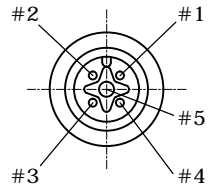



| REV. | DESCRIPTION | DRAWN | DATE |
|------|-----------------|-------|------------|
| 1 | INITIAL RELEASE | FROS | 2017/06/29 |
| 2 | ECR1700027 | TIM | 2017/10/26 |

SPECIFICATION:

1. RATED CURRENT: 5A
2. RATED VOLTAGE: 125V
3. WATER PROOF: IPX7
- ⚠ 4. OPERATING TEMPERATURE: -40°C TO +85°C



| NO. | PART NAME | DESCRIPTION |
|-----|------------|---------------------------------------|
| 10 | GLAND NUT | Aluminum alloy, sating nickel plated |
| 9 | GLAND CAGE | POM, black |
| 8 | GLAND | SILICONE, black |
| 7 | O-RING | SILICONE, black |
| 6 | BODY | Aluminum alloy, sating nickel plated |
| 5 | EPOXY | EP400A&B, black |
| 4 | NUT | Aluminum alloy, sating nickel plated |
| 3 | SHELL | Aluminum alloy, sating nickel plated |
| 2 | CONTACT | Brass, gold flash plating over Nickel |
| 1 | HOUSING | PBT, UL94V-0, Black |

| NO. | | PART NAME | | DESCRIPTION | |
|--------------------------------------|---|------------|--|----------------|--|
| UNLESS OTHERWISE SPECIFIED TOLERANCE | | | | | |
| UNIT: | DECIMAL | LINEAR | ANGLES | | |
| | X. | ±0.50 | ±5° | | |
| | X.X | ±0.25 | ±3° | | |
| mm | X.XX | ±0.12 | ±1° | | |
| |  | | | | |
| WWW.ATTEND.COM.TW | | | | | |
| DRAWN | Fros | 2017/06/29 | DRAWN NAME: | | |
| CHECKED | Tim | 2017/06/29 | M12 A- Code Plug for Cable 5 Pin Male For Field Installable | | |
| APPROVED | Ken | 2017/06/29 | PRODUCT NO. | 216A-05MFO | |
| SCALE | | SHEET | SIZE | FILE NAME | |
| 1/1 | | 1/1 | A4 | 216A-05MFO_B_2 | |