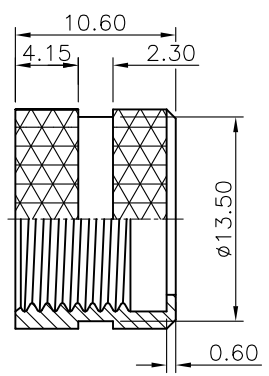
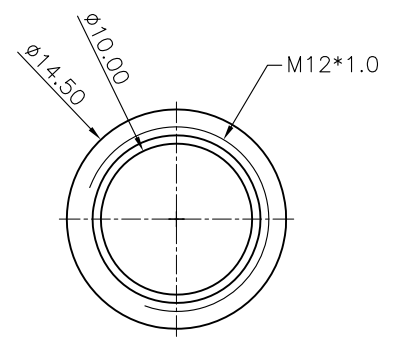
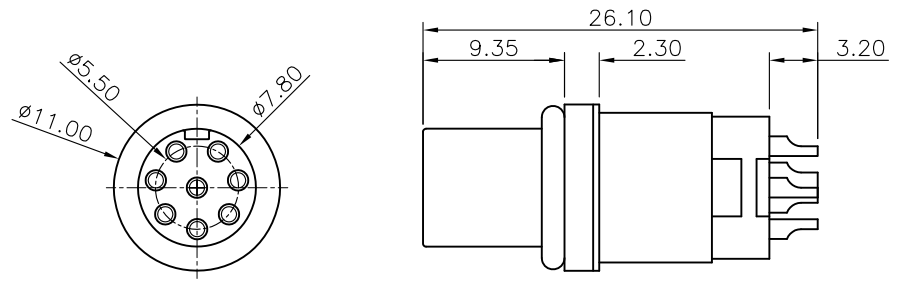


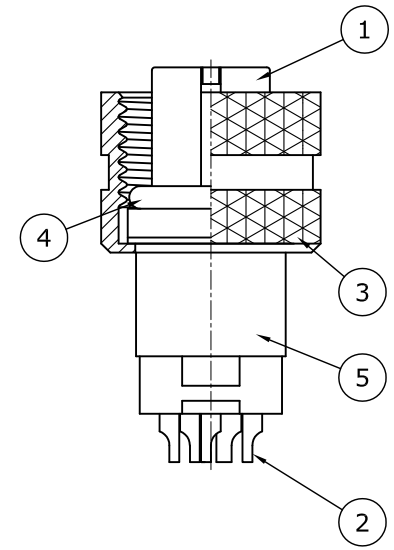
REV.	DESCRIPTION	DRAWN	DATE
1	INITIAL RELEASE	TIM	2017/08/09

**SPECIFICATION:**


1. CURRENT RATING: 5A
2. VOLTAGE: 125V
3. WATER PROOF: IPX7
4. OPERATION TEMPERATURE: -40°C TO +85°C



NUT



5	SHELL	BRASS, NICKEL PLATED
4	O-RING	EPDM, BLACK
3	NUT	BRASS, NICKEL PLATED
2	CONTACT	BRASS, GOLD PLATED UNDER NICKEL
1	HOUSING	PBT, UL94V-0, BLACK
NO	PART NAME	DESCRIPTION

UNLESS OTHERWISE SPECIFIED TOLERANCE					
UNIT:	DECIMAL	LINEAR	ANGLES		
mm	X.	±0.50	±5°	WWW.ATTEND.COM.TW	
	X.X	±0.25	±3°		
	X.XX	±0.12	±1°		
DRAWN	Tim	2017/08/09	DRAWN NAME:		
CHECKED	Fros	2017/08/09	M12 A-Code Plug for Cable		
APPROVED	Ken	2017/08/09	8Pin Female For Overmold, w/Shell		
SCALE	SHEET	SIZE	FILE NAME	PRODUCT NO.	
2/1	1/1	A4	216A-08FO0_B_1	216A-08FO0	