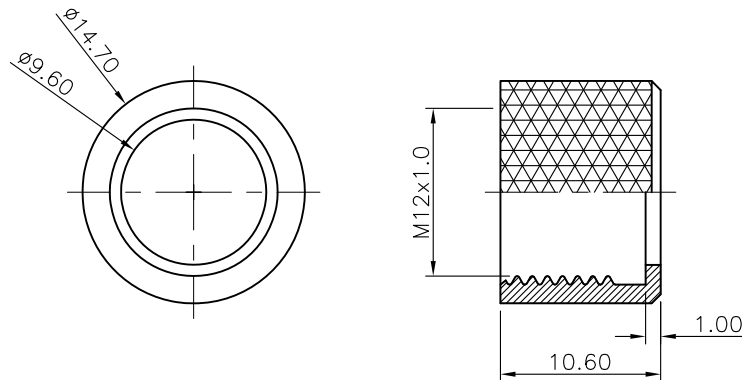
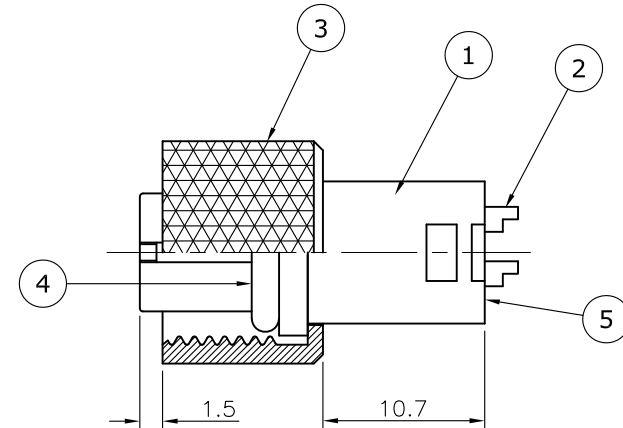
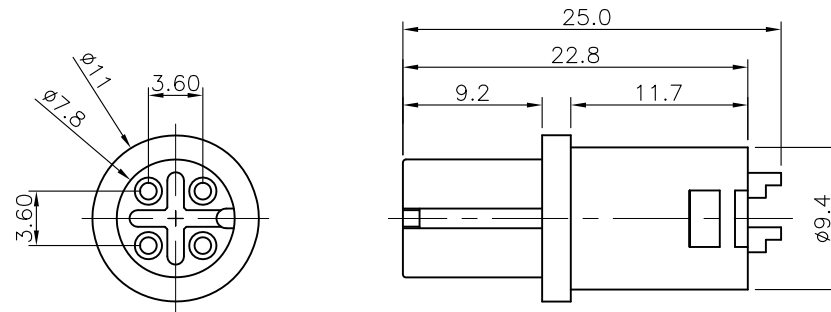



REV.	DESCRIPTION	DRAWN	DATE
1	INITIAL RELEASE	FROS	2016/11/25

SPECIFICATION:

1. Current Rating: 5A
2. Voltage Rating: 125V
3. Waterproof: IPX7
4. Operating temperature range: -40°C~+85°C



5	EPOXY	EF400A & EF400B, Black
4	O-RING	EPDM, Black
3	NUT	Brass, Nickel plating
2	CONTACT	Brass, 10u" Gold plating over Nickel
1	HOUSING	PBT, UL94V-0, Black

NO.		PART NAME		DESCRIPTION		
UNLESS OTHERWISE SPECIFIED TOLERANCE						
UNIT:	DECIMAL	LINEAR	ANGLES	 WWW.ATTEND.COM.TW		
	mm	X.	±0.50			±5°
		X.X	±0.25			±3°
		X.XX	±0.12			±1°
DRAWN	Fros	2016/11/25	DRAWN NAME:			
CHECKED	Tim	2016/11/25	M12 A-Code Plug for Cable			
APPROVED	Ken	2016/11/25	4Pin Female For Overmold with Cable			
SCALE	SHEET	SIZE	FILE NAME	PRODUCT NO.		
2/1	1/1	A4	216A-04FO0_B_1	216A-04FO0		