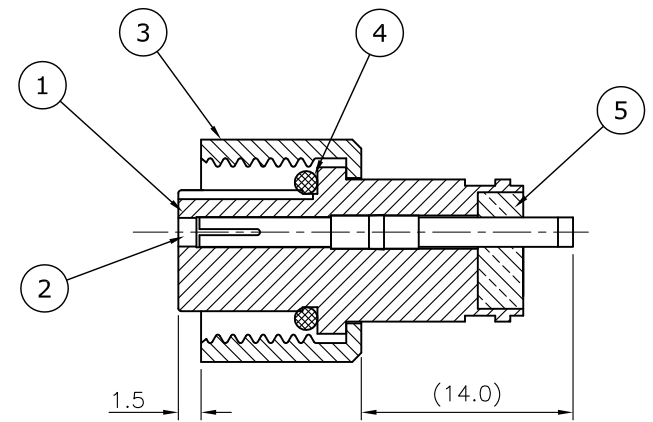
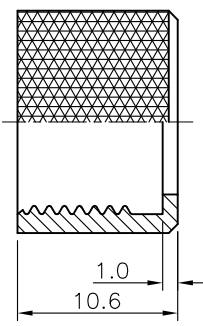
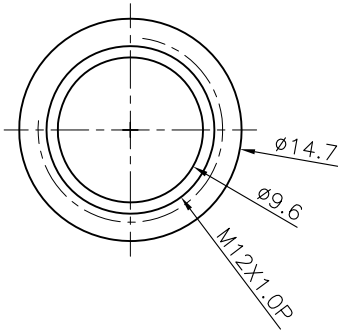
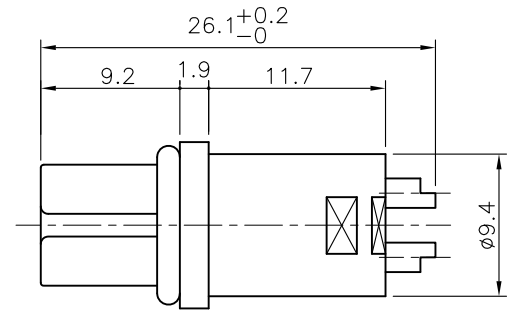
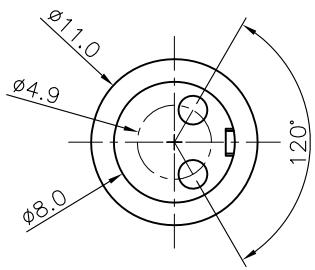


REV.	DESCRIPTION	DRAWN	DATE
1	INITIAL RELEASE	FROS	2016/06/21

SPECIFICATION:

1. ELECTRICAL
 - 1.1 Current Rating: 10A
 - 1.2 Voltage Rating: 125V
 - 1.3 Water Proof: IPX7
 - 1.4 Operating Temperature: -40°C~+85°C



5	EPOXY BASE	EF400A&EF400B, Black
4	O-RING	EPDM, Black
3	NUT	Brass, Nickel plating
2	CONTACT	Brass, Gold plating over Nickel
1	HOUSING	PBT, UL94V-0, Black

NO.		PART NAME	DESCRIPTION
UNLESS OTHERWISE SPECIFIED TOLERANCE			
UNIT:	DECIMAL	LINEAR	ANGLES
	X.	±0.50	±5°
	X.X	±0.25	±3°
	X.XX	±0.12	±1°
DRAWN		Fros	2016/06/21
CHECKED		Ron	2016/06/21
APPROVED		Ken	2016/06/21
SCALE		SHEET	SIZE
2/1		1/1	A4
DRAWN NAME:		DRAWN NAME:	
		M12 A- Code Plug for Cable	
		2Pin Female For Overmold with Cable	
PRODUCT NO.		216A-02FO0	
FILE NAME		216A-02FO0_B_1	



WWW.ATTEND.COM.TW