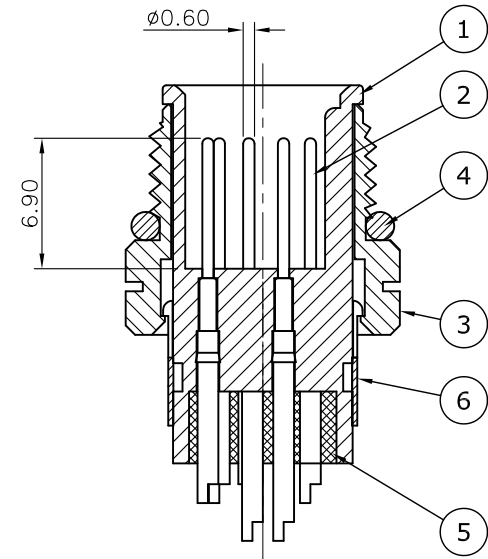
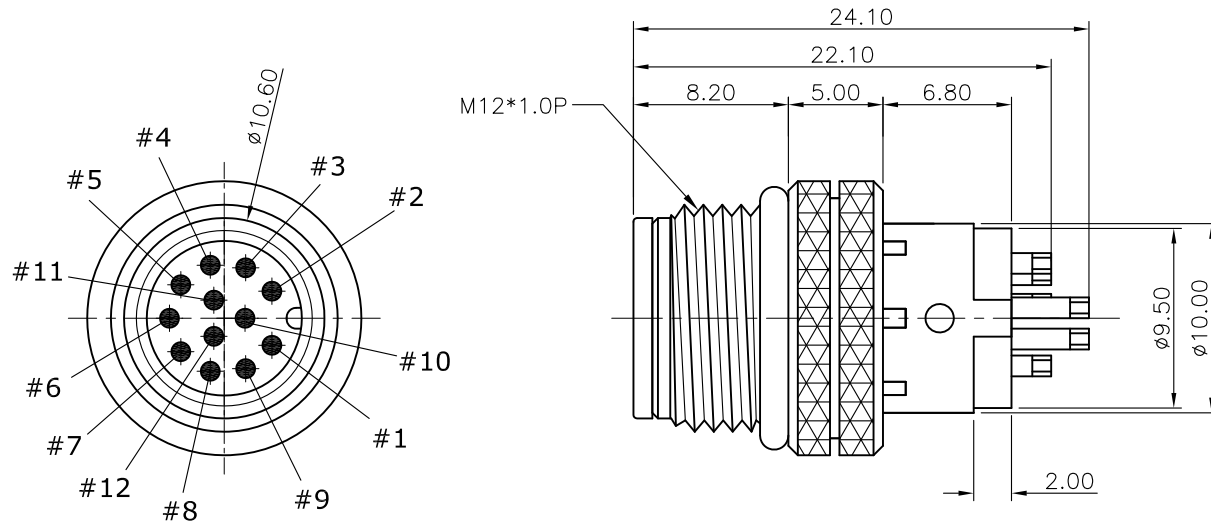



REV.	DESCRIPTION	DRAWN	DATE
1	INITIAL RELEASE	TIM	2018/07/13

**SPECIFICATION:**

1. CURRENT RATING: 1A
2. VOLTAGE: 30V
3. WATER PROOF: IPX7
4. OPERATION TEMPERATURE: -40°C TO +85°C



NO	PART NAME	DESCRIPTION
6	SHELL	BRASS, Bright tin plating
5	EPOXY	EF400A&EF400B, BLACK
4	O-RING	EPDM
3	NUT	BRASS, NICKEL PLATED
2	CONTACT	BRASS, 10u" GOLD PLATED UNDER NICKEL
1	HOUSING	PBT, UL94V-0, BLACK

UNLESS OTHERWISE SPECIFIED TOLERANCE					
UNIT:	DECIMAL	LINEAR	ANGLES		
mm	X.	±0.50	±5°	WWW.ATTEND.COM.TW	
	X.X	±0.25	±3°		
	X.XX	±0.12	±1°		
DRAWN	Tim	2018/07/13	DRAWN NAME:		
CHECKED	Fros	2018/07/13	M12 A-Code Plug for Cable		
APPROVED	Ken	2018/07/13	12Pin Male For Overmold, 10u", w/ Shell		
SCALE	SHEET	SIZE	FILE NAME	PRODUCT NO.	
2.5/1	1/1	A4	216A-12MO0-01_B_1	216A-12MO0-01	