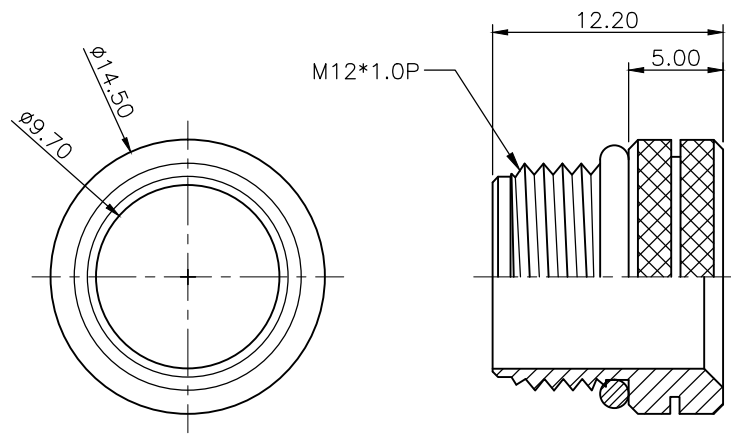
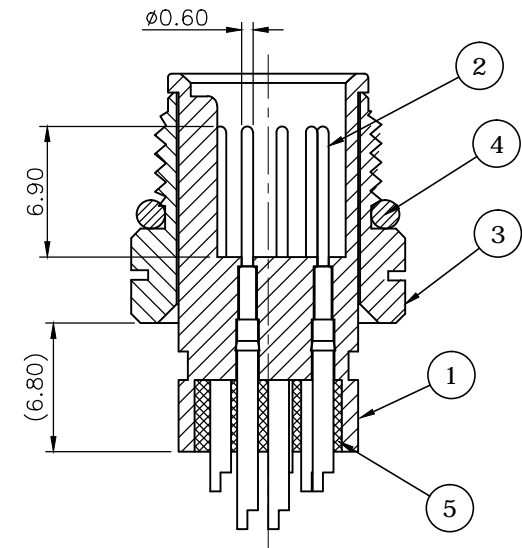
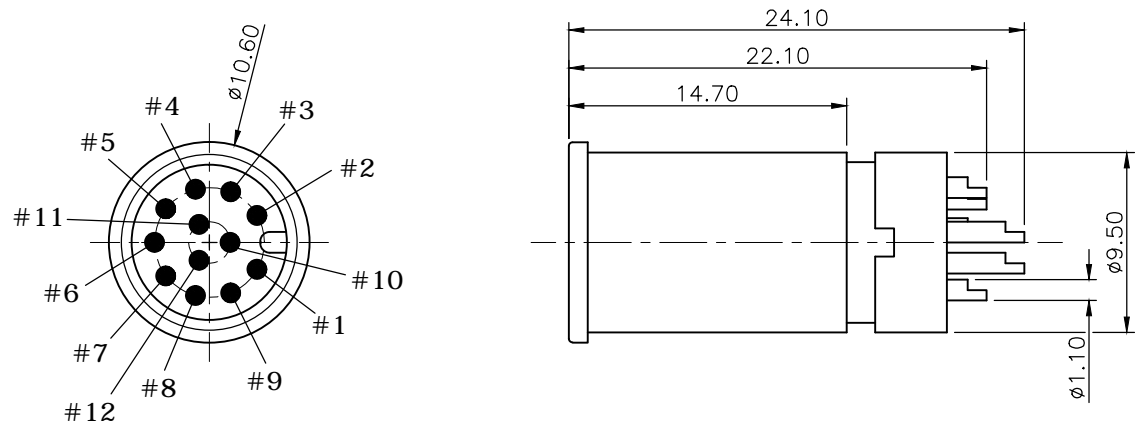


REV.	DESCRIPTION	DRAWN	DATE
1	INITIAL RELEASE	TIM	2018/04/13

**SPECIFICATION:**

1. CURRENT RATING: 1A
2. VOLTAGE: 30V
3. WATER PROOF: IPX7
4. OPERATION TEMPERATURE: -40°C TO +85°C



NUT

5	EPOXY	BLACK
4	O-RING	EPDM
3	NUT	BRASS, NICKEL PLATED
2	CONTACT	BRASS, 10u" GOLD PLATED UNDER NICKEL
1	HOUSING	PBT, UL94V-0, BLACK
NO.	PART NAME	DESCRIPTION

UNLESS OTHERWISE SPECIFIED TOLERANCE

UNIT:	DECIMAL	LINEAR	ANGLES
mm	X.	$\pm 0.50$	$\pm 5^\circ$
	X.X	$\pm 0.25$	$\pm 3^\circ$
	X.XX	$\pm 0.12$	$\pm 1^\circ$



WWW.ATTEND.COM.TW

DRAWN	Tim	2018/04/16	DRAWN NAME:
CHECKED	Fros	2018/04/16	M12 A-Code Plug for Cable 12Pin Male For Overmold, 10u"
APPROVED	Ken	2018/04/16	PRODUCT NO. 216A-12MO0
SCALE	2.5/1	SHEET 1/1	SIZE A4
FILE NAME	216A-12MO0_B_1		