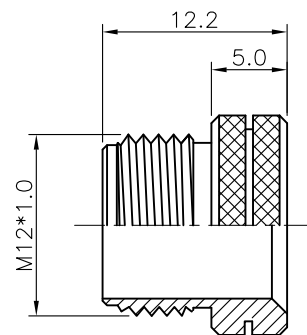
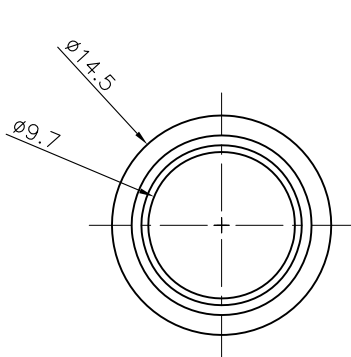
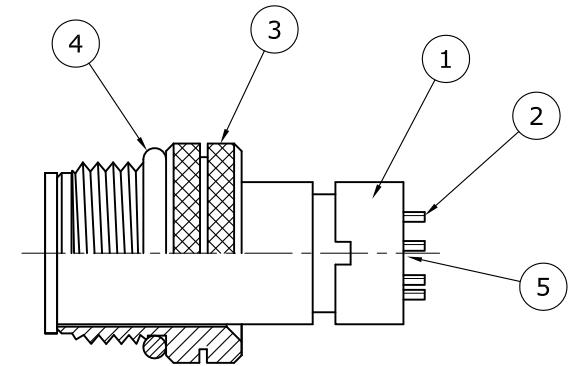
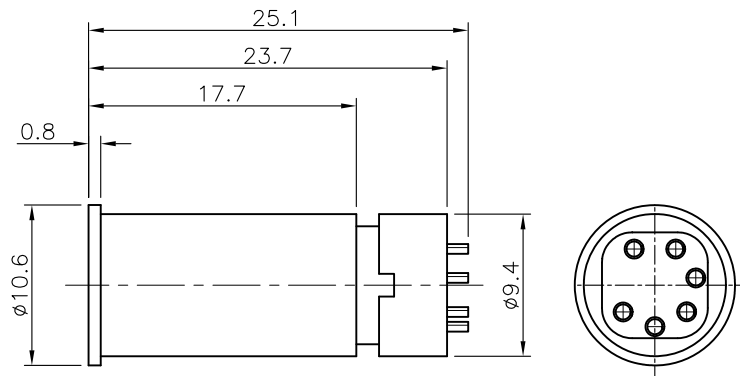
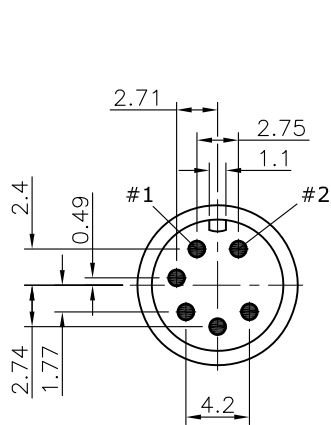


REV.	DESCRIPTION	DRAWN	DATE
1	INITIAL RELEASE	FROS	2018/06/12

SPECIFICATION:

1. Current Rating: 5A
2. Voltage Rating: 125V
3. Waterproof: IP67
4. Operating temperature range: -40°C~+85°C



5	EPOXY	EF400A & EF400B, Black
4	O-RING	EPDM, Black
3	NUT	Brass, Nickel plating
2	CONTACT	Brass, 10u" Gold plating over Nickel
1	HOUSING	PBT, UL94V-0, Black

NO.		PART NAME	DESCRIPTION
UNLESS OTHERWISE SPECIFIED TOLERANCE			
UNIT:	DECIMAL	LINEAR	ANGLES
	mm	X, X	± 0.50 $\pm 5^\circ$
		X, XX	± 0.25 $\pm 3^\circ$
		X, XX	± 0.12 $\pm 1^\circ$
DRAWN		Fros	2018/06/12
CHECKED		Tim	2018/06/12
APPROVED		Ken	2018/06/12
SCALE		SHEET	SIZE
2/1		1/1	A4
DRAWN NAME:		DRAWN NAME:	
		M12 A-Code Plug for Cable,	
		6 Pin Male For Overmold with Cable	
PRODUCT NO.		216A-06M00	
FILE NAME		216A-06M00_B_1	



WWW.ATTEND.COM.TW