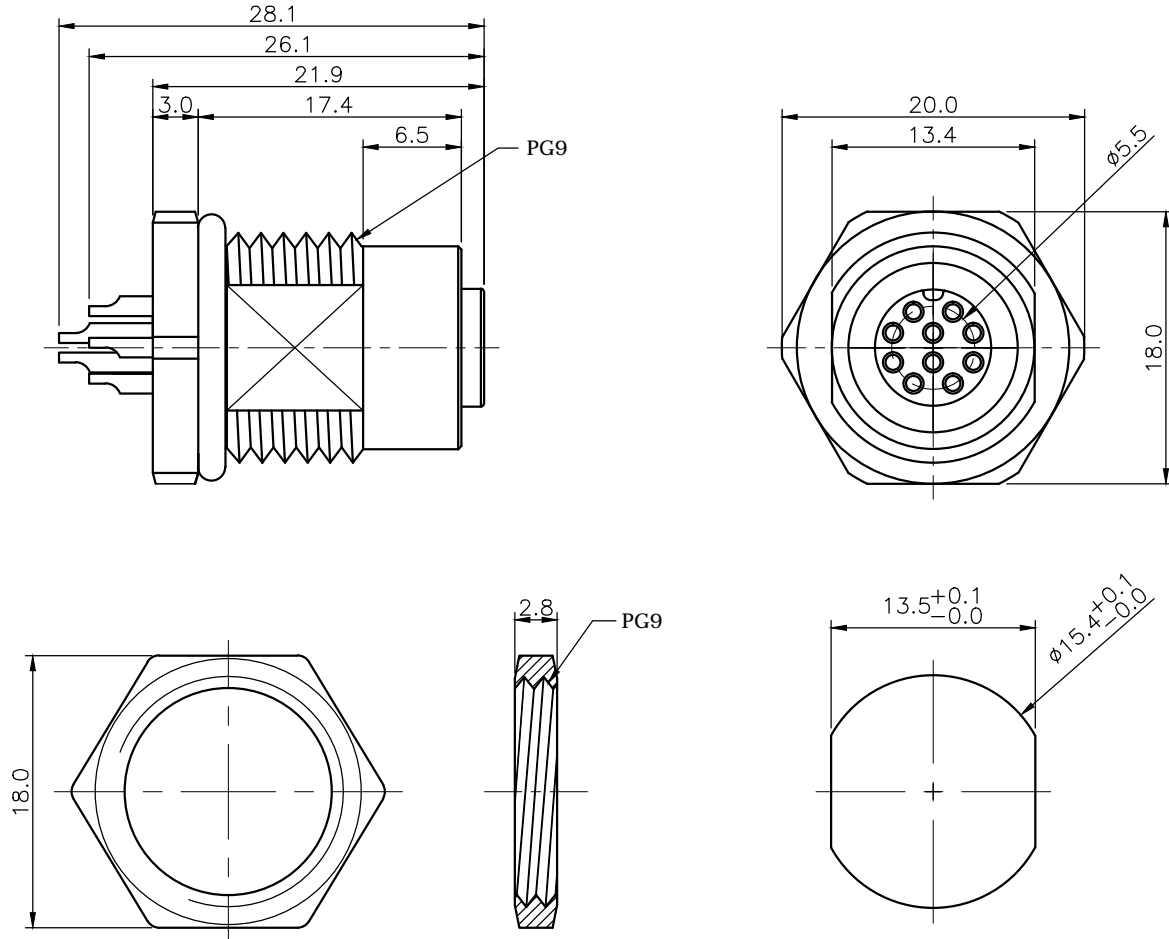


REV.	DESCRIPTION	DRAWN	DATE
1	INITIAL RELEASE	TIM	2017/08/17

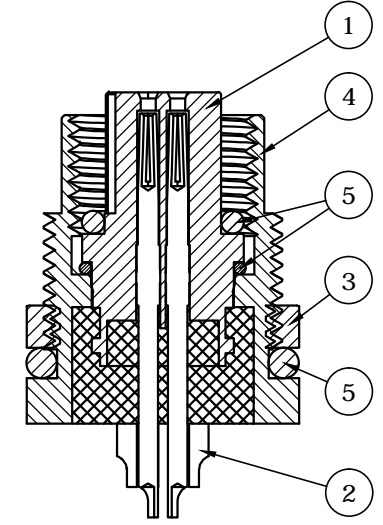
**SPECIFICATION:**

1. CURRENT RATING: 5A
2. VOLTAGE: 125V
3. WATER PROOF: IPX7
4. OPERATION TEMPERATURE: -40°C TO +85°C



NUT

PANEL CUT OUT



5	O-RING	EPDM
4	SHELL	BRASS, NICKEL PLATED
3	NUT	BRASS, NICKEL PLATED
2	CONTACT	BRASS, 10u" GOLD PLATED UNDER NICKEL
1	HOUSING	PBT, UL94V-0, BLACK
NO.	PART NAME	DESCRIPTION

UNLESS OTHERWISE SPECIFIED TOLERANCE			
UNIT:	DECIMAL	LINEAR	ANGLES
mm	X.	±0.50	±5°
	X.X	±0.25	±3°
	X.XX	±0.12	±1°



WWW.ATTEND.COM.TW

DRAWN	Tim	2017/08/17	DRAWN NAME:
CHECKED	Fros	2017/08/17	M12 A- Code Receptacle, 10Pin Female Straight Solder Type Front Fastened
APPROVED	Ken	2017/08/17	PRODUCT NO. 216A-10FAF
SCALE	2/1	SHEET	1/1
SIZE	A4	FILE NAME	216A-10FAF_B_1